



WORKLAMPS

EW2019 Rectangular LED

The EW2019 Series worklamp offers the latest technology in an extremely slim and compact package. This LED model offers over 80,000 hours of maintenance free life expectancy coupled with extremely low amp draw. 600 lumen light output and IP67 rated intrusion protection make this LED worklamp the ideal choice for a wide variety of applications. Features 12-24 VDC operation, flood beam, aluminum heatsink housing, polycarbonate lens and a 3 year warranty.

Models

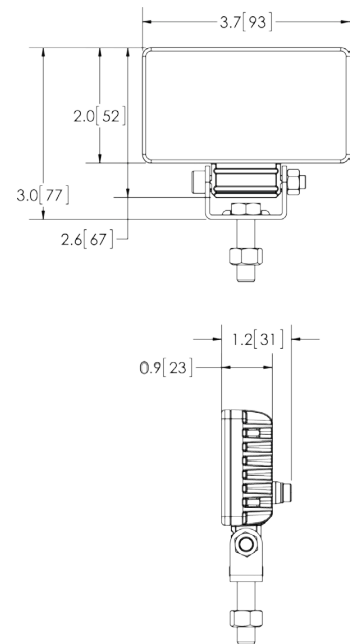
PART NO.	VOLTAGE	AMPS	RAW LUMENS	EFFECTIVE LUMENS	TYPE
EW2019	12-24	0.4	600	550	Flood
EW2019-P	Packaged in pairs				

Features and Benefits

- 33 1-watt LEDs
- 12-24 VDC
- Aluminum heatsink housing
- Polycarbonate lens
- Steel mounting bracket
- CE, IP67, RoHS
- Warranty: 3 years

Counter Pack

- Order part # EW2019-CP
- Six-pack countertop display (includes 6 pairs of product)



Beam Pattern

