



# Installation and Operation Instructions

## MATERIAL HANDLING LED BOUNDARY WORKLAMP

**IMPORTANT!** Read all instructions before installing and using. Installer: This manual must be delivered to the end user.



### WARNING!

Failure to install or use this product according to manufacturer's recommendations may result in property damage, serious bodily/personal injury, and/or death to you and those you are seeking to protect!



**Do not install and/or operate this safety product unless you have read and understand the safety information contained in this manual.**

1. Proper installation combined with operator training in the installation, use, care and maintenance of vehicle equipment accessories is essential to ensure the safety of you and those you are trying to protect.
2. Exercise caution when working with live electrical connections.
3. This product must be properly grounded. Inadequate grounding and/or shorting of electrical connections can cause high current arcing, which can cause personal injury and/or severe vehicle damage, including fire.
4. Proper placement and installation are vital to the performance of this worklamp. Install this product so that output performance of the system is maximized and the controls are placed within convenient reach of the operator so that s/he can operate the system without losing eye contact with the work area.
5. It is the responsibility of the vehicle operator to ensure during use that all features of this product work correctly. In use, the vehicle operator should ensure the projection of the beam is not blocked by vehicle components (i.e., open trunks or compartment doors), people, vehicles, or other obstructions.
6. The manufacturer assumes no liability for any loss resulting from the use of this device.

**NOTE:** Black die cast aluminum housing gets very hot to the touch after operating constantly for several hours.

### SPECIFICATIONS

	EW2015R	EW2025R	EW2030
Overall Dimensions:	2.6" x 3.0" x 2.7" 6.6 cm x 7.6 cm x 6.1 cm	2.6" x 5.1" x 2.4" 6.6 cm x 13.0 cm x 6.1 cm	2.5" x 3.75" x 1.87" 6.35 cm x 9.53 cm x 4.75 cm
Weight:	0.55 lbs. 0.25 kg	1.06 lbs. 0.50 kg	0.56 lbs. 0.25 kg
Input Voltage:	12-80 VDC	12-80 VDC	12-80 VDC
Current Draw:	1.0 A max.	1.5 A max.	1.1 A max.
Temp Range:	-22° to 122°F -30° to 50°C	-22° to 122°F -30° to 50°C	-22° to 122°F -30° to 50°C
Recommended Angle for Installation:	Custom Preference	Custom Preference	90°
Rating for In-Line Fuse Needed:	5A	5A	5A

### Installation:

For best results, select a mounting location between approximately 72" to 96"[1829 mm to 2438mm] from the ground. Once mounted, angle the lighthead so the boundary line appears in the desired location as shown in FIGURE 1.

1. Select a mounting location for the unit on a flat surface, and drill a 5/16" hole.
2. Secure the light head with the supplied hardware.
3. Adjust the unit to face downward as shown and tighten the screws located on each side of the worklamp.

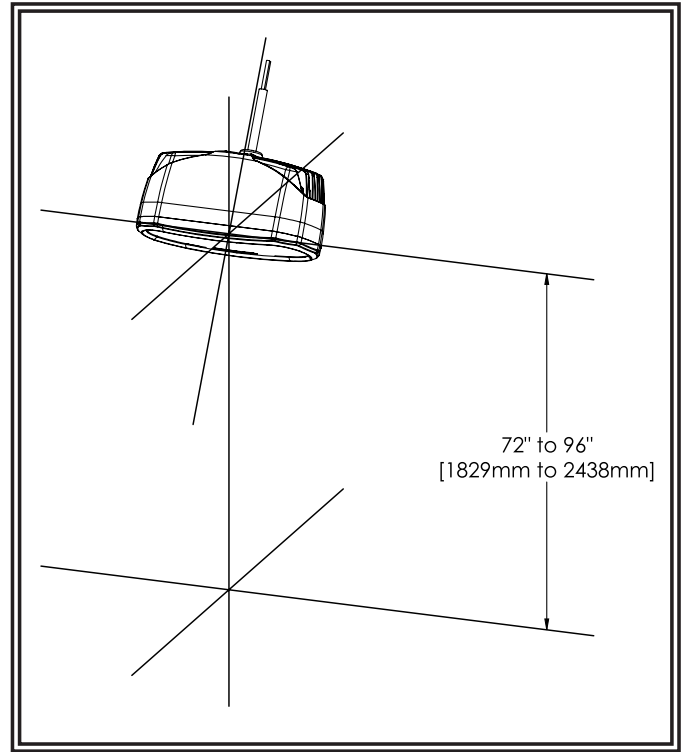


FIGURE 1

### Wiring Instructions:

Black Wire: Connect to (-) ground

Red Wire: Connect to a dedicated (+) power source with a customer supplied inline fuse.

See wiring diagram in Figure 2 for details.

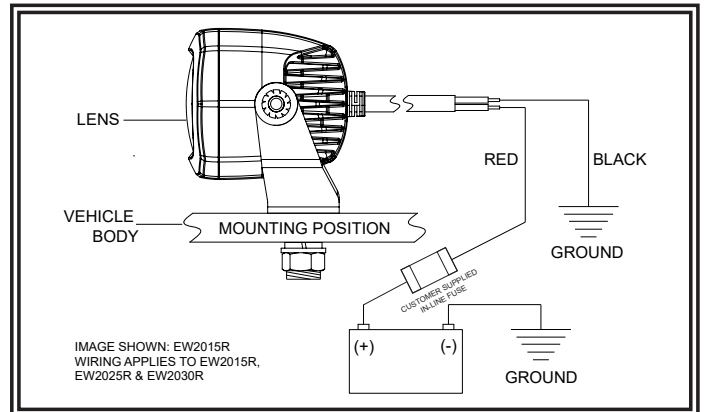


FIGURE 2