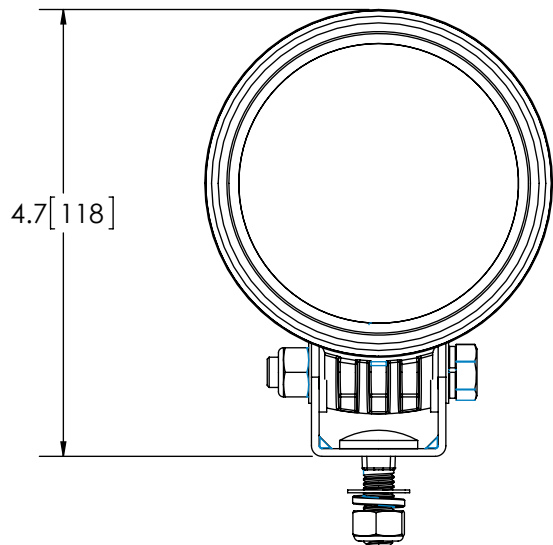
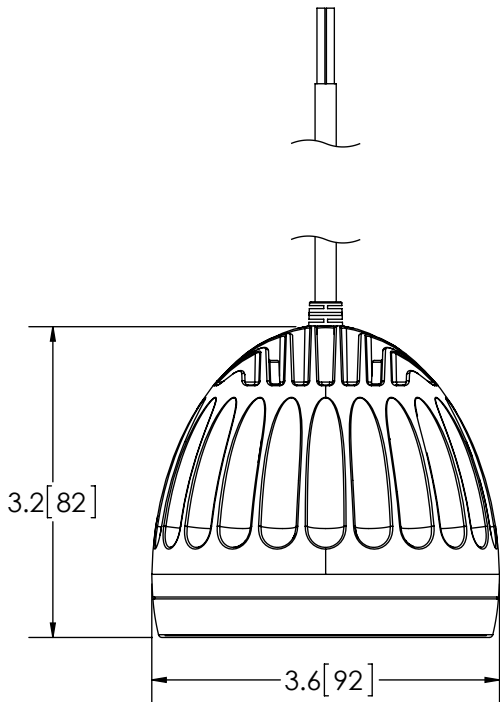


REVISION HISTORY		
REV.	DESCRIPTION	DATE
03	REVISED PER LM14247	2015-04-07
04	REVISED PER LM14247	2015-04-29
A	INITIAL RELEASE PER LM14247	2015-05-08


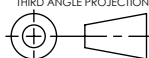


SPECIFICATIONS

- CERTIFICATIONS: ECE R10;
Note: Unique components, accessories, and hardware kits are not typically included in the Product Certification Test Protocols. Unless otherwise Specified, the Product Certifications referred to herein are predicated upon the base product model configuration.
- EFFICACY: lm/W
- CORRELATED COLOR TEMPERATURE: K
- VOLTAGE (NOMINAL): 12 to 56 VDC
- VOLTAGE (EXTREME): 10 to 60 VDC
- CURRENT (PEAK): 0.7A (@ 12 VDC NOMINAL)
- POWER (MAXIMUM): 8.4W (@ 12 VDC NOMINAL)
- TEMPERATURE RANGE: -22°F (-30°C) TO 122°F (50°C)
- CONNECTION: 2 CONDUCTOR CABLE
- MOUNTING: BRACKET MOUNT
- HOUSING MATERIAL: ALUMINUM
- LENS MATERIAL: POLYCARBONATE
- PRODUCT WEIGHT: 0.94 LBS (0.42 Kg)

COLOR CHART	
FGS P/N	COLOR
EW2010B	BLUE
EW2010R	RED

NOTES:
1. DIMENSIONS IN INCHES[MILLIMETERS(FOR REFERENCE)]

SCALE 1:2		APPROVALS	DATE	
CAD GENERATED DRAWING DO NOT MANUALLY UPDATE. MODEL REFERENCED:A		DRAWN BY ABB	2015-04-29	
TOLERANCES ARE IN INCHES, AND MILLIMETERS TOLERANCES UNLESS OTHERWISE STATED ARE:		CHECKED MDH	2015-04-30	
MILLIMETERS DECIMALS XX. ± 1.0mm XX.X ± 0.5mm	INCHES DECIMALS X.X ± 0.1 X.XX ± 0.04 X.XXX ± 0.02	MECH. ENG. NMT	2015-05-01	WORKLAMP, SPOT, ARROW, 12-60VDC
	ANGLES ± 0.5° FRACTIONS ± 1/64	ELEC. ENG. TJT	2015-04-29	
		TEST ENG. JRT	2015-05-07	
		SALES. JPT	2015-05-04	
THIRD ANGLE PROJECTION			CUSTOMER PART NO. EW2010X	PRODUCT SERIES: EW2010
		SIZE: A	DWG. NO. EW2010X	REV. A
Electronically Controlled Use Latest Copy		SHEET 1 OF 1	Project: LM14247	Date Created: 2014-11-26

NON DISCLOSURE AGREEMENT
THIS DRAWING AND THE DESIGN IT DISCLOSES ARE THE PRIVATE PROPERTY OF ESG AND IS ISSUED IN CONFIDENCE FOR ENGINEERING INFORMATION ONLY. THE DRAWING AND / OR DESIGN MAY NOT BE USED, COPIED, REPRODUCED, OR OTHERWISE DISCLOSED IN PART OR AS A WHOLE TO OUTSIDERS OR USED FOR ANY OTHER PURPOSE WITHOUT THE PRIOR WRITTEN CONSENT OF ESG. THE DRAWING IS SUBJECT TO RECALL AT ANY TIME. YOUR POSSESSION OF THIS DOCUMENT CONSTITUTES ACCEPTANCE OF THESE TERMS. © 2015 ECCO