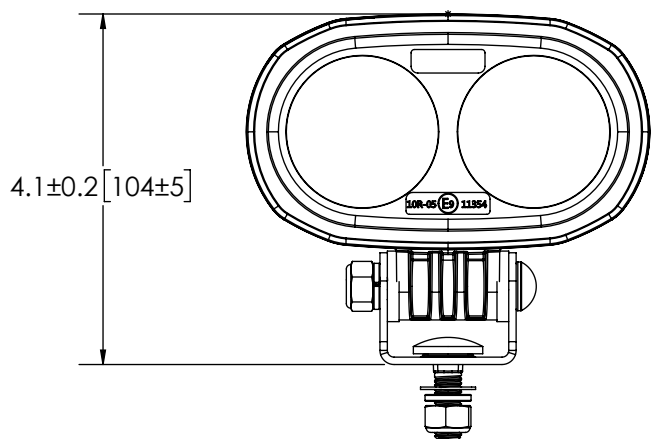
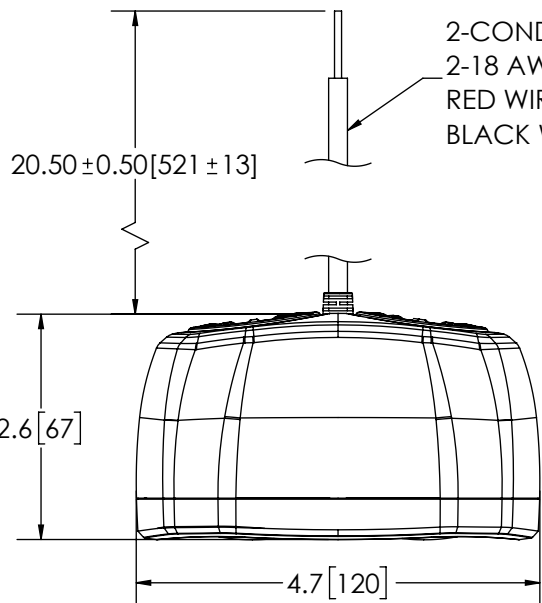


REVISION HISTORY

REV.	DESCRIPTION
05	REVISED PER EL0077
06	REVISED PER EL0077
A	INITIAL RELEASE PER EL0077

2-CONDUCTOR CABLE
2-18 AWG WIRES
RED WIRE - POSITIVE (+)
BLACK WIRE - NEGATIVE (-)



SPECIFICATIONS

- CERTIFICATIONS: ; ECE R10; C-Tick ;
Note: Unique components, accessories, and hardware kits are not typically included in the Product Certification Test Protocols. Unless otherwise Specified, the Product Certifications referred to herein are predicated upon the base product model configuration.
- RAW LUMENS: 55 lumens
- EFFECTIVE LUMENS: 56 lumens
- ILLUMINANCE: 28.57 lux
- PEAK BEAM INTENSITY: 26500 Candela
- EFFICACY: 7.2 lm/W
- CORRELATED COLOR TEMPERATURE: 22000K
- VOLTAGE (NOMINAL): 12 to 80 VDC
- VOLTAGE (EXTREME): 9.0 to 92.0 VDC
- CURRENT (PEAK): 0.6A (@ 12 VDC NOMINAL)
- POWER (MAXIMUM): 7.8W (@ 12 VDC NOMINAL)
- TEMPERATURE RANGE: -40°F (-40°C) TO 149°F (65°C)
- CONNECTION: 2 CONDUCTOR CABLE
- MOUNTING: BRACKET MOUNT
- HOUSING MATERIAL: ALUMINUM
- LENS MATERIAL: POLYCARBONATE
- PRODUCT WEIGHT: 1.2 LBS (0.54 Kg)

DISCLAIMER

DIMENSIONS, ILLUSTRATIONS, SPECIFICATIONS AND CERTIFICATIONS CONTAINED IN THIS DOCUMENT ARE TYPICAL OF THE ACTUAL PRODUCT AND ARE SUBJECT TO CHANGE. ECCO ENGINEERING DOES NOT MAINTAIN FORMAL DESIGN CONTROL OF THIS PRODUCT.

MOUNTING DISCLAIMER

MOUNTING MEASUREMENT IS FOR REFERENCE ONLY.
MEASURE BEFORE DRILLING.

NOTES:

- ROHS COMPLIANT
- DIMENSIONS IN INCHES[MILLIMETERS (FOR REFERENCE)]

SCALE 1:2.25		APPROVALS		
CAD GENERATED DRAWING DO NOT MANUALLY UPDATE. MODEL REFERENCED: A		DRAWN BY		
TOLERANCES ARE IN INCHES, AND MILLIMETERS TOLERANCES UNLESS OTHERWISE STATED ARE:		CHECKED	ABD	WORKLAMP, 2 LED, BLUE, SPOT, 12-80V, UL
MILLIMETERS DECIMALS		MECH. ENG.	KLR	
XX. ± 1.0mm	XX.X ± 0.1	ELEC. ENG.	JES	CUSTOMER PART NO. EW2002B
XX.XX ± 0.5mm	X.XX ± 0.04	TEST ENG.	JRT	PRODUCT SERIES: EW2002
	X.XXX ± 0.02	SALES	LAT	SIZE: A
	ANGLES ± 0.5°			DWG. NO. EW2002B
	FRACTIONS ± 1/64			REV. A
THIRD ANGLE PROJECTION		Electronically Controlled Use Latest Copy		Project: EL0077
		SHEET 1 OF 1		Date Created:

THIS DRAWING AND THE DESIGN IT DISCLOSES ARE THE PRIVATE PROPERTY OF ELECTRONIC CONTROLS CO. AND IS ISSUED IN CONFIDENCE FOR ENGINEERING INFORMATION ONLY. THE DRAWING AND / OR DESIGN MAY NOT BE USED, COPIED, REPRODUCED, OR OTHERWISE DISCLOSED IN PART OR AS A WHOLE TO OUTSIDERS OR USED FOR ANY OTHER PURPOSE WITHOUT THE PRIOR WRITTEN CONSENT OF ELECTRONIC CONTROLS CO. THE DRAWING IS SUBJECT TO RECALL AT ANY TIME. YOUR POSSESSION OF THIS DOCUMENT CONSTITUTES ACCEPTANCE OF THESE TERMS. © 2017 ELECTRONIC CONTROLS CO.