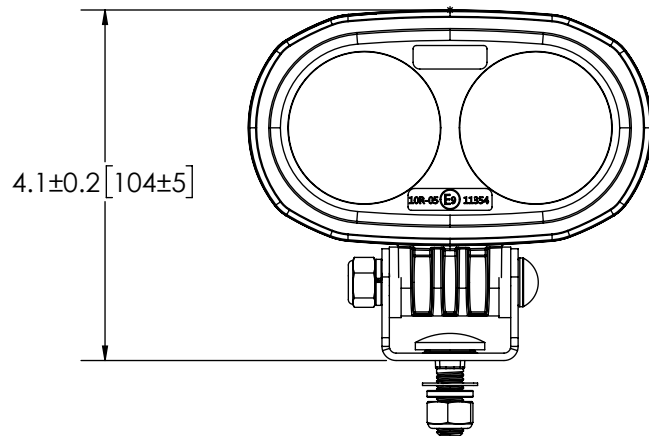
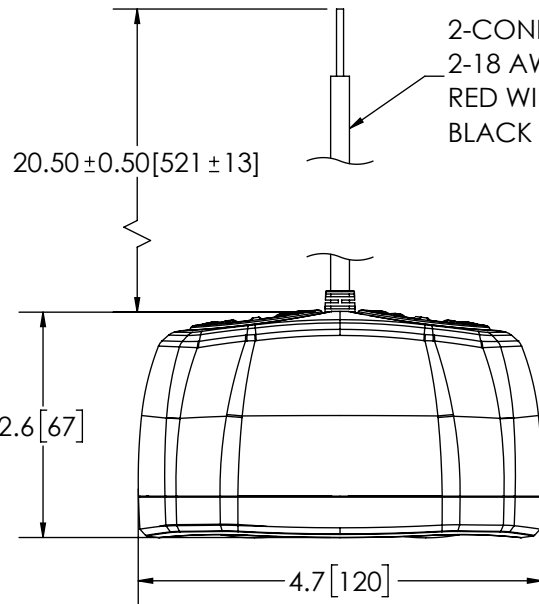


REVISION HISTORY

REV.	DESCRIPTION	DATE
05	REVISED PER EL0077	2017-03-31
06	REVISED PER EL0077	2017-04-05
A	INITIAL RELEASE PER EL0077	2017-04-07

2-CONDUCTOR CABLE
2-18 AWG WIRES
RED WIRE - POSITIVE (+)
BLACK WIRE - NEGATIVE (-)



SPECIFICATIONS

- CERTIFICATIONS: **UL**; ECE R10; C-Tick ;
Note: Unique components, accessories, and hardware kits are not typically included in the Product Certification Test Protocols. Unless otherwise Specified, the Product Certifications referred to herein are predicated upon the base product model configuration.
- RAW LUMENS: 55 lumens
- EFFECTIVE LUMENS: 56 lumens
- ILLUMINANCE: 28.57 lux
- PEAK BEAM INTENSITY: 26500 Candela
- EFFICACY: 7.2 lm/W
- CORRELATED COLOR TEMPERATURE: 22000K
- VOLTAGE (NOMINAL): 12 to 80 VDC
- VOLTAGE (EXTREME): 9.0 to 92.0 VDC
- CURRENT (PEAK): 0.6A (@ 12 VDC NOMINAL)
- POWER (MAXIMUM): 7.8W (@ 12 VDC NOMINAL)
- TEMPERATURE RANGE: -40°F (-40°C) TO 149°F (65°C)
- CONNECTION: 2 CONDUCTOR CABLE
- MOUNTING: BRACKET MOUNT
- HOUSING MATERIAL: ALUMINUM
- LENS MATERIAL: POLYCARBONATE
- PRODUCT WEIGHT: 1.2 LBS (0.54 Kg)

DISCLAIMER


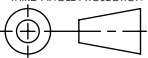
DIMENSIONS, ILLUSTRATIONS, SPECIFICATIONS AND CERTIFICATIONS CONTAINED IN THIS DOCUMENT ARE TYPICAL OF THE ACTUAL PRODUCT AND ARE SUBJECT TO CHANGE. ECCO ENGINEERING DOES NOT MAINTAIN FORMAL DESIGN CONTROL OF THIS PRODUCT.

MOUNTING DISCLAIMER

MOUNTING MEASUREMENT IS FOR REFERENCE ONLY.
MEASURE BEFORE DRILLING.

NOTES:

- ROHS COMPLIANT
- DIMENSIONS IN INCHES[MILLIMETERS (FOR REFERENCE)]

SCALE 1:2.25		APPROVALS	DATE
CAD GENERATED DRAWING DO NOT MANUALLY UPDATE. MODEL REFERENCED: A		DRAWN BY	2017-04-05
		CHECKED ABD	2017-04-06
TOLERANCES ARE IN INCHES, AND MILLIMETERS TOLERANCES UNLESS OTHERWISE STATED ARE:		MECH. ENG. KLR	2017-04-05
		ELEC. ENG. JES	2017-04-06
MILLIMETERS DECIMALS XX. ± 1.0mm XX.X ± 0.5mm	INCHES DECIMALS X.X ± 0.1 X.XX ± 0.04 X.XXX ± 0.02	ANGLES ± 0.5° FRACTIONS ± 1/64	TEST ENG. JRT 2017-04-06
		SALES. LAT	2017-04-05
NON DISCLOSURE AGREEMENT			
<small>THIS DRAWING AND THE DESIGN IT DISCLOSES ARE THE PRIVATE PROPERTY OF ELECTRONIC CONTROLS CO. AND IS ISSUED IN CONFIDENCE FOR ENGINEERING INFORMATION ONLY. THE DRAWING AND / OR DESIGN MAY NOT BE USED, COPIED, REPRODUCED, OR OTHERWISE DISCLOSED IN PART OR AS A WHOLE TO OUTSIDERS OR USED FOR ANY OTHER PURPOSE WITHOUT THE PRIOR WRITTEN CONSENT OF ELECTRONIC CONTROLS CO. THE DRAWING IS SUBJECT TO RECALL AT ANY TIME. YOUR POSSESSION OF THIS DOCUMENT CONSTITUTES ACCEPTANCE OF THESE TERMS. © 2017 ELECTRONIC CONTROLS CO.</small>		WORKLAMP, 2 LED, BLUE, SPOT, 12-80V, UL	
THIRD ANGLE PROJECTION 		CUSTOMER PART NO. EW2002B	
		PRODUCT SERIES: EW2002	
		SIZE: A	DWG. NO. EW2002B
		REV. A	
Electronically Controlled Use Latest Copy		SHEET 1 OF 1	Project: EL0077 Date Created: 2017-01-04