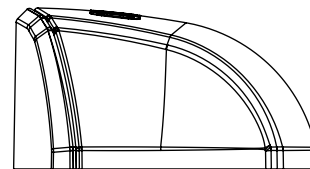
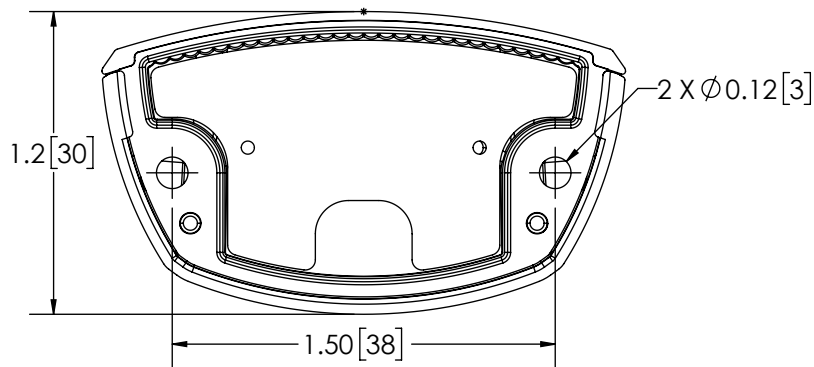


**FRONT VIEW**



**RIGHT VIEW**



**BOTTOM VIEW**

MOUNTING DISCLAIMER:  
MOUNTING MEASUREMENT IS FOR REFERENCE ONLY.  
MEASURE BEFORE DRILLING.

- NOTES:
- WIRES:  
DIMENSION IS 7.5±0.5[191 ±13] FROM BASE OF LAMP TO END OF WIRES  
2-22 AWG WIRES: RED - POSITIVE (+)  
WHITE - NEGATIVE (-)  
WIRES NOT SHOWN FOR CLARITY
  - FOR INTERIOR USE ONLY
  - DIMENSIONS IN INCHES[MILLIMETERS (FOR REFERENCE)]

- ### SPECIFICATIONS
- CERTIFICATIONS: ECE R10; IP67 PENDING  
Note: Unique components, accessories, and hardware kits are not typically Included in the Product Certification Test Protocols. Unless otherwise Specified, the Product Certifications referred to herein are predicated upon the base product model configuration.
  - RAW LUMENS: 66 lumens
  - EFFECTIVE LUMENS: 65 lumens
  - ILLUMINANCE: .0187 lux
  - PEAK BEAM INTENSITY: 17.32 Candela
  - EFFICACY: 6.5 lm/W
  - CORRELATED COLOR TEMPERATURE: K
  - VOLTAGE (NOMINAL): 12 to 24 VDC
  - VOLTAGE (EXTREME): 9.0 to 32.0 VDC
  - CURRENT (PEAK): 0.08A (@ 12 VDC NOMINAL)
  - POWER (MAXIMUM): 1.0W (@ 12 VDC NOMINAL)
  - TEMPERATURE RANGE: -22°F (-30°C) TO 122°F (50°C)
  - CONNECTION: 2 LEAD WIRES
  - MOUNTING: 2 BOLT
  - HOUSING MATERIAL: POLYCARBONATE
  - LENS MATERIAL: POLYCARBONATE
  - PRODUCT WEIGHT: .04 LBS (0.02 Kg)

DISCLAIMER  
DIMENSIONS, ILLUSTRATIONS, SPECIFICATIONS AND CERTIFICATIONS CONTAINED IN THIS DOCUMENT ARE TYPICAL OF THE ACTUAL PRODUCT AND ARE SUBJECT TO CHANGE. ECCO ENGINEERING DOES NOT MAINTAIN FORMAL DESIGN CONTROL OF THIS PRODUCT.

SCALE 1:0.75		APPROVALS	DATE	
CAD GENERATED DRAWING DO NOT MANUALLY UPDATE. MODEL REFERENCED: A		DRAWN BY	2017-11-08	
TOLERANCES ARE IN INCHES, AND MILLIMETERS TOLERANCES UNLESS OTHERWISE STATED ARE:		CHECKED MDH	2017-11-09	<b>COURTESY LAMP, 12V-24V, BLACK</b>
MILLIMETERS DECIMALS	INCHES DECIMALS	MECH. ENG.		
XX. ± 1.0mm XX.X ± 0.5mm	X.X ± 0.1 X.XX ± 0.04 X.XXX ± 0.02	ELEC. ENG.		
THIRD ANGLE PROJECTION		TEST ENG.		CUSTOMER PART NO. EW0202
		SALES		PRODUCT SERIES:
Electronically Controlled Use Latest Copy				SIZE: A
				DWG. NO. EW0202
				REV. B
				Project: EL0064
				Date Created: 2017-02-10