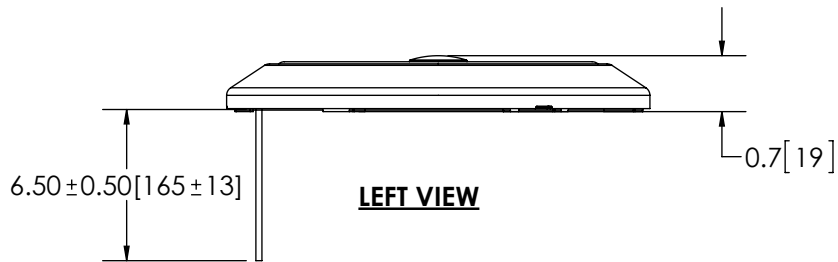
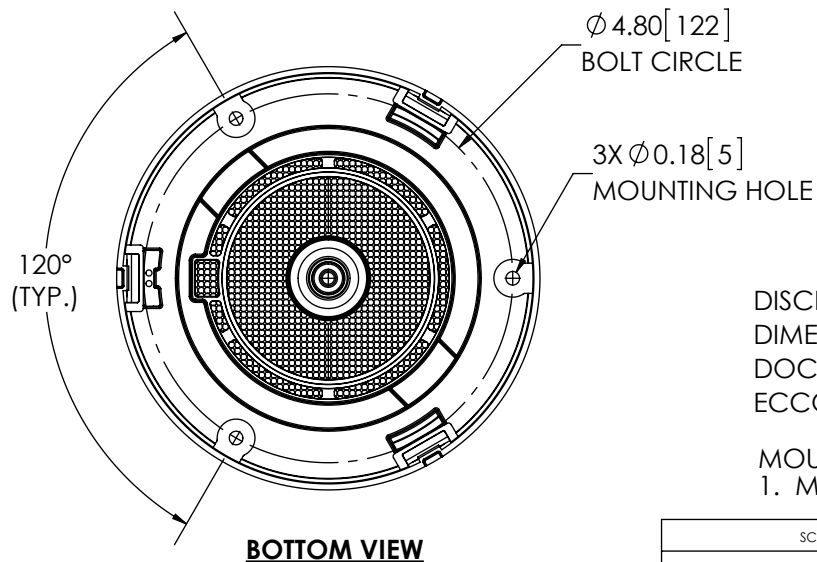


TOP VIEW



LEFT VIEW



BOTTOM VIEW

- NOTES:**
- FOR INTERIOR USE ONLY
 - ROHS COMPLIANT
 - DIMENSIONS IN INCHES[MILLIMETERS (FOR REFERENCE)]

REVISION HISTORY		
REV.	DESCRIPTION	DATE
08	REVISED PER LM14240	2016-01-08
A	INITIAL RELEASE PER LM14240	2016-03-07
B	REVISE PER LM14240	2016-04-01

SPECIFICATIONS


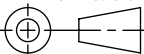
- CERTIFICATIONS: **CE**;
 Note: Unique components, accessories, and hardware kits are not typically included in the Product Certification Test Protocols. Unless otherwise Specified, the Product Certifications referred to herein are predicated upon the base product model configuration.
- RAW LUMENS: 413 lumens
- EFFECTIVE LUMENS: 401 lumens
- ILLUMINANCE: lux
- PEAK BEAM INTENSITY: Candela
- EFFICACY: lm/W
- CORRELATED COLOR TEMPERATURE: 5967K
- VOLTAGE (NOMINAL): 12 to 24 VDC
- VOLTAGE (EXTREME): 9.0 to 32.0 VDC
- CURRENT (PEAK): 0.34A (@ 12 VDC NOMINAL)
- POWER (MAXIMUM): 4.4W (@ 12 VDC NOMINAL)
- TEMPERATURE RANGE: -22°F (-30°C) TO 122°F (50°C)
- CONNECTION: 2 - 20 AWG WIRES
- MOUNTING: 3 BOLTS, FLUSH MOUNT
- HOUSING MATERIAL: PENDING
- LENS MATERIAL: PENDING
- PRODUCT WEIGHT: 0.26 LBS (0.1 Kg)

DISCLAIMER

DIMENSIONS, ILLUSTRATIONS, SPECIFICATIONS, AND CERTIFICATIONS CONTAINED IN THIS DOCUMENT ARE TYPICAL OF THE ACTUAL PRODUCT AND ARE SUBJECT TO CHANGE. ECCO ENGINEERING DOES NOT MAINTAIN FORMAL DESIGN CONTROL OF THIS PRODUCT.

MOUNTING DISCLAIMER:

- MOUNTING MEASUREMENT IS FOR REFERENCE ONLY. MEASURE BEFORE DRILLING.

SCALE 1:2		APPROVALS	DATE	
CAD GENERATED DRAWING DO NOT MANUALLY UPDATE. MODEL REFERENCED:01		DRAWN BY ABD	2016-03-29	
TOLERANCES ARE IN INCHES, AND MILLIMETERS TOLERANCES UNLESS OTHERWISE STATED ARE:		CHECKED ABB	2016-03-30	
MILLIMETERS DECIMALS XX. ± 1.0mm XX.X ± 0.5mm	INCHES DECIMALS X.X ± 0.1 X.XX ± 0.04 X.XXX ± 0.02	MECH. ENG. JLA	2016-03-29	INTLIGHT, 72LED, 5.5"FM RND W/S, 12-24V, WHT CUSTOMER PART NO. EW0200 PRODUCT SERIES:
		ELEC. ENG. TJT	2016-03-29	
		TEST ENG. JRT	2016-03-31	
		SALES. JPT	2016-03-31	
THIRD ANGLE PROJECTION 		SIZE: A	DWG. NO. EW0200	REV. B
NON DISCLOSURE AGREEMENT <small>THIS DRAWING AND THE DESIGN IT DISCLOSES ARE THE PRIVATE PROPERTY OF ESG AND IS ISSUED IN CONFIDENCE FOR ENGINEERING INFORMATION ONLY. THE DRAWING AND / OR DESIGN MAY NOT BE USED, COPIED, REPRODUCED, OR OTHERWISE DISCLOSED IN PART OR AS A WHOLE TO OUTSIDERS OR USED FOR ANY OTHER PURPOSE WITHOUT THE PRIOR WRITTEN CONSENT OF ESG. THE DRAWING IS SUBJECT TO RECALL AT ANY TIME. YOUR POSSESSION OF THIS DOCUMENT CONSTITUTES ACCEPTANCE OF THESE TERMS. © 2015 ECCO</small>		Electronically Controlled Use Latest Copy SHEET 1 OF 1 Project: LM14240 Date Created: 2015-10-30		