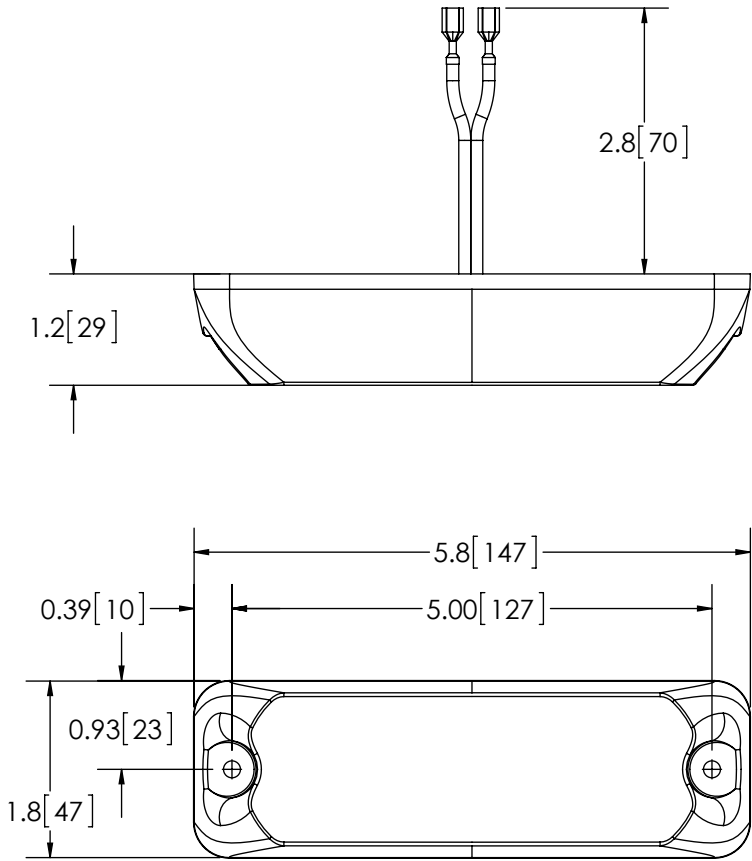



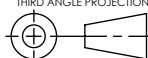
REVISION HISTORY		
REV.	DESCRIPTION	DATE
01	PRELIMINARY RELEASE PER LM13216	2014-09-11
02	REVISED PER LM13216	2014-09-16
A	INITIAL RELEASE PER LM13216	2014-10-29

COLOR CHART	
FGS P/N	COLOR
ER3300A	AMBER
ER3300B	BLUE
ER3300C	CLEAR
ER3300R	RED



SPECIFICATIONS

- CERTIFICATIONS: USE ONLY WITH COMPATIBLE SAFETY DIRECTOR
 Note: Unique components, accessories, and hardware kits are not typically included in the Product Certification Test Protocols. Unless otherwise Specified, the Product Certifications referred to herein are predicated upon the base product model configuration.
- FLASH MODE: STEADY : N/A ± 5 FLASHES PER MINUTE
- VOLTAGE (NOMINAL): 12 to 24 VDC
- VOLTAGE (EXTREME): 9.0 to 32 VDC
- CURRENT (PEAK): 0.3A (@ 12 VDC NOMINAL)
- POWER (MAXIMUM): 4.3W (@ 12 VDC NOMINAL)
- TEMPERATURE RANGE: -22°F (-30°C) TO 122°F (50°C)
- CONNECTION: 2-22 AWG WIRES W/CONNECTOR
- MOUNTING: 2 BOLT MOUNT
- BASE MATERIAL: POLYCARBONATE
- LENS MATERIAL: POLYCARBONATE
- PRODUCT WEIGHT: 0.3 LBS (0.14 Kg)

SCALE 1:2		APPROVALS		DATE			
CAD GENERATED DRAWING DO NOT MANUALLY UPDATE. MODEL REFERENCED:A		DRAWN BY SNS		2014-09-16			
TOLERANCES ARE IN INCHES, AND MILLIMETERS TOLERANCES ARE:		CHECKED MDH		2014-09-17		REPLCMNT,MODULE,LED,SAF DIR,12-24V	
MILLIMETERS DECIMALS XX. ± 1.0mm XX.X ± 0.5mm		INCHES DECIMALS X.X ± 0.1 X.XX ± 0.04 X.XXX ± 0.02		MECH. ENG. JLA		2014-09-16	
		ANGLES ± 0.5°		ELEC. ENG. TJT		2014-09-16	
		FRACTIONS ± 1/64		TEST ENG. JRT		2014-10-16	
NON DISCLOSURE AGREEMENT		THIRD ANGLE PROJECTION		SALES. GLB		2014-09-17	
<small>THIS DRAWING AND THE DESIGN IT DISCLOSES ARE THE PRIVATE PROPERTY OF ECCO AND IS ISSUED IN CONFIDENCE FOR ENGINEERING INFORMATION ONLY. THE DRAWING AND / OR DESIGN MAY NOT BE USED, COPIED, REPRODUCED, OR OTHERWISE DISCLOSED IN PART OR AS A WHOLE TO OUTSIDERS OR USED FOR ANY OTHER PURPOSE WITHOUT THE PRIOR WRITTEN CONSENT OF ECCO. THE DRAWING IS SUBJECT TO RECALL AT ANY TIME. YOUR POSSESSION OF THIS DOCUMENT CONSTITUTES ACCEPTANCE OF THESE TERMS. © 2014 ECCO</small>				CUSTOMER PART NO. SEE CHART		PRODUCT SERIES: 3300	
		SIZE: A		DWG. NO. ER3300X		REV. A	
		SHEET 1 OF 1		Project: LM13216		Date Created: 2014-09-11	
		Electronically Controlled Use Latest Copy					