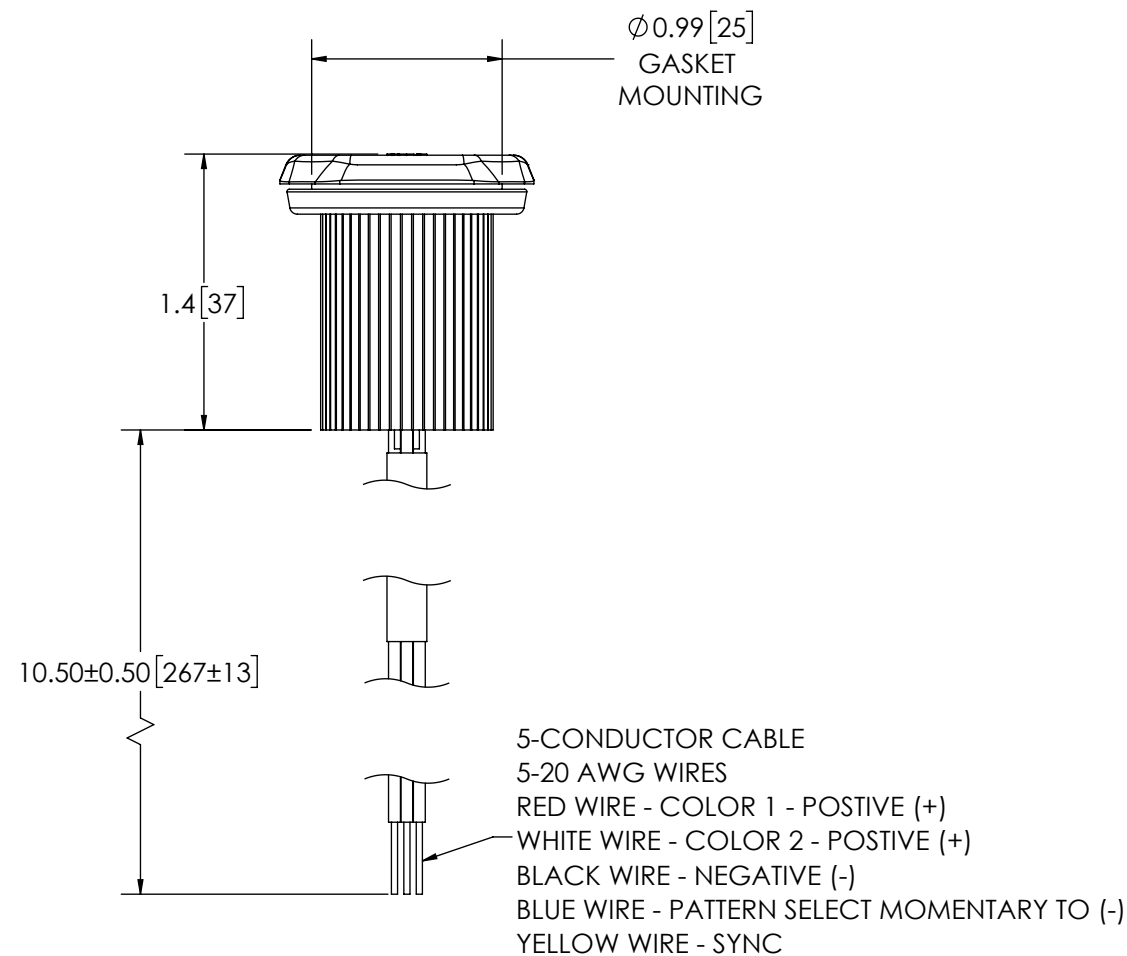
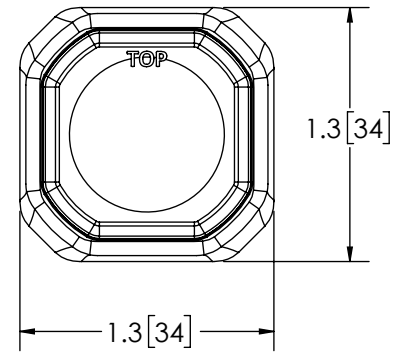


REVISION HISTORY		
REV.	DESCRIPTION	DATE
03	REVISED PER CL0051	2019-03-15
A	INITIAL RELEASE PER CL0051	2019-03-19
B	REVISED PER ES0017	2019-10-01



### SPECIFICATIONS

- CERTIFICATIONS: ECE R10; SAE (SEE CHART); CA Title 13 (SEE CHART); ECE R65 (SEE CHART); IP67  
 Note: Unique components, accessories, and hardware kits are not typically included in the Product Certification Test Protocols. Unless otherwise Specified, the Product Certifications referred to herein are predicated upon the base product model configuration.
- FLASH MODE: SINGLE : 75 ± 5 FLASHES PER MINUTE  
 SINGLE : 120 ± 5 FLASHES PER MINUTE  
 DOUBLE : 75 ± 5 FLASHES PER MINUTE
- VOLTAGE (NOMINAL): 12-24 VDC
- VOLTAGE (EXTREME): 9-32 VDC
- CURRENT (PEAK): 0.6 A (@ 12 VDC NOMINAL)
- POWER (MAXIMUM): 8.2 W (@ 12 VDC NOMINAL)
- TEMPERATURE RANGE: -40°F (-40°C) TO 149°F (65°C)
- CONNECTION: 5 - 20 AWG WIRES
- MOUNTING: 1 IN. THRU HOLE WITH GASKET
- BASE MATERIAL: ALUMINUM
- LENS MATERIAL: POLYCARBONATE
- PRODUCT WEIGHT: 0.094 LBS (0.042 Kg)

### FGS. PRODUCT CHART

FGS. NO.	COLOR	CURRENT (PEAK) A	POWER (MAX) W	J595 (MAR 2014)	TITLE 13	ECE R65
ED9040AW	AMBER/WHITE	0.6	8.2	CLASS 1	CLASS B; AMBER	CLASS 1; AMBER
ED9040BA	BLUE/AMBER	0.6	7.0	CLASS 1	CLASS B	CLASS 1
ED9040RA	RED/AMBER	0.6	7.3	CLASS 1	CLASS B	CLASS 1
ED9040BW	BLUE/WHITE	0.6	7.8	CLASS 1	CLASS B; BLUE	CLASS 1; BLUE
ED9040RB	RED/BLUE	0.5	6.4	CLASS 1	CLASS B	CLASS 1
ED9040RW	RED/WHITE	0.6	8.1	CLASS 1	CLASS B; RED	CLASS 1; RED
ED9040AG	AMBER/GREEN	0.6	7.8	CLASS 1; AMBER	CLASS B; AMBER	CLASS 1; AMBER

#### NOTES:

- ROHS COMPLIANT
- DIMENSIONS IN INCHES [MILLIMETERS (FOR REFERENCE)]

PROPRIETARY AND CONFIDENTIAL INFORMATION

THIS DRAWING AND THE DESIGN AND OTHER INFORMATION DISCLOSED HEREIN ARE THE PROPERTY OF ELECTRONIC CONTROLS COMPANY AND/OR ITS ECCO SAFETY GROUP AFFILIATES ("ECCO") AND IS ISSUED IN CONFIDENCE TO RECIPIENT FOR ENGINEERING INFORMATION PURPOSES ONLY. THIS DRAWING AND THE DESIGN AND OTHER INFORMATION DISCLOSED HEREIN MAY NOT BE USED, COPIED, REPRODUCED OR OTHERWISE DISCLOSED IN PART OR IN WHOLE TO THIRD PARTIES OR USED FOR ANY OTHER PURPOSE WITHOUT PRIOR ECCO WRITTEN CONSENT. ECCO RESERVES ALL PATENT, COPYRIGHT, TRADEMARK AND OTHER PROPRIETARY RIGHTS TO THIS DOCUMENT, INCLUDING ALL DESIGN, MANUFACTURING, REPRODUCTION, USE AND SALES RIGHTS THEREIN. THIS DRAWING IS SUBJECT TO RECALL BY ECCO AT ANY TIME, AND YOUR POSSESSION AND/OR USE CONSTITUTES ACCEPTANCE OF THESE TERMS. ©2019 ELECTRONIC CONTROLS COMPANY

SCALE 1:1		APPROVALS	DATE												
CAD GENERATED DRAWING DO NOT MANUALLY UPDATE. MODEL REFERENCED: A		DRAWN BY ABD	2019-09-27												
TOLERANCES ARE IN INCHES, AND MILLIMETERS TOLERANCES UNLESS OTHERWISE STATED ARE:		CHECKED MDH	2019-09-27												
<table border="1"> <tr> <th>MILLIMETERS DECIMALS</th> <th>INCHES DECIMALS</th> <th>ANGLES</th> </tr> <tr> <td>XX ± 1.0mm</td> <td>X.X ± 0.1</td> <td>± 0.5°</td> </tr> <tr> <td>XX.X ± 0.5mm</td> <td>X.XX ± 0.04</td> <td>FRACTIONS ± 1/64</td> </tr> <tr> <td></td> <td>X.XXX ± 0.02</td> <td></td> </tr> </table>		MILLIMETERS DECIMALS	INCHES DECIMALS		ANGLES	XX ± 1.0mm	X.X ± 0.1	± 0.5°	XX.X ± 0.5mm	X.XX ± 0.04	FRACTIONS ± 1/64		X.XXX ± 0.02		MECH. ENG. JLA
MILLIMETERS DECIMALS	INCHES DECIMALS	ANGLES													
XX ± 1.0mm	X.X ± 0.1	± 0.5°													
XX.X ± 0.5mm	X.XX ± 0.04	FRACTIONS ± 1/64													
	X.XXX ± 0.02														
		ELEC. ENG. SPO	2019-09-27	<b>6LED, FLASHER, LP, FM, 12-24V</b> CUSTOMER PART NO. SEE CHART PRODUCT SERIES: ED9040											
		TEST ENG. JRT	2019-10-01												
		SALES. DMV	2019-09-27												
THIRD ANGLE PROJECTION				SIZE: B DWG. NO. ED9040XX SHEET 1 OF 1 Project: CL0051 Date Created: 2019-02-25 REV. B											
Electronically Controlled Use Latest Copy															