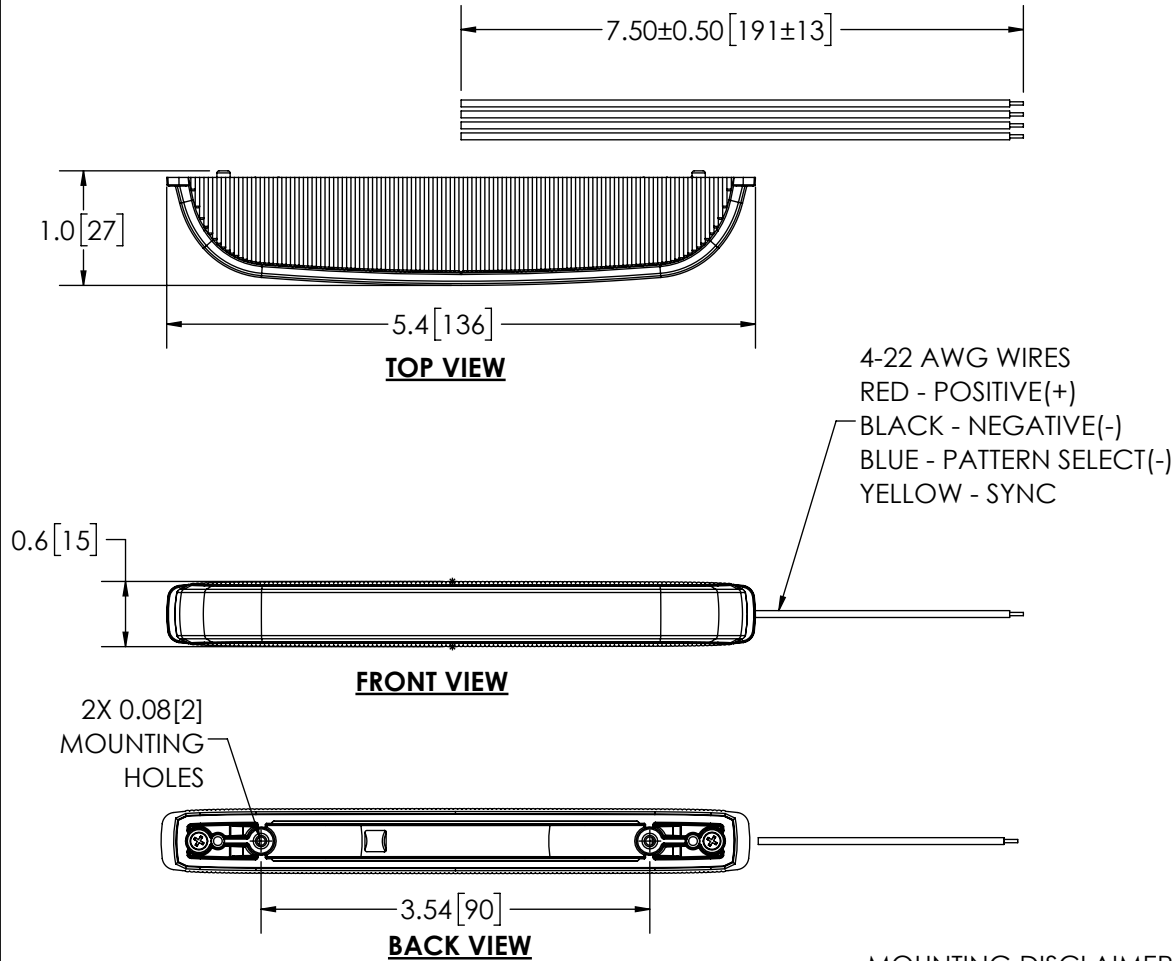


| REVISION HISTORY |                            |            |
|------------------|----------------------------|------------|
| REV.             | DESCRIPTION                | DATE       |
| A                | INITIAL RELEASE PER EL0143 | 2018-09-21 |
| B                | REVISED PER EC5661         | 2019-07-17 |
| C                | REVISED PER EC6212         | 2020-10-27 |



### SPECIFICATIONS

- CERTIFICATIONS: ECE R10; SAE J595 (MAR 2014) CLASS 1; YELLOW; CA Title 13 (SEE CHART); IP67  
 Note: Unique components, accessories, and hardware kits are not typically included in the Product Certification Test Protocols. Unless otherwise Specified, the Product Certifications referred to herein are predicated upon the base product model configuration.
- FLASH MODE: SINGLE :  $75 \pm 5$  FLASHES PER MINUTE  
 SINGLE :  $120 \pm 5$  FLASHES PER MINUTE  
 DOUBLE :  $75 \pm 5$  FLASHES PER MINUTE
- VOLTAGE (NOMINAL): 12-24 VDC
- VOLTAGE (EXTREME): 9-32 VDC
- CURRENT (PEAK): SEE CHART (@ 12 VDC NOMINAL)
- POWER (MAXIMUM): SEE CHART (@ 12 VDC NOMINAL)
- TEMPERATURE RANGE:  $-22^{\circ}\text{F}$  ( $-30^{\circ}\text{C}$ ) TO  $122^{\circ}\text{F}$  ( $50^{\circ}\text{C}$ )
- CONNECTION: 4-22 AWG WIRES
- MOUNTING: 2 BOLT
- BASE MATERIAL: POLYCARBONATE
- LENS MATERIAL: POLYCARBONATE
- PRODUCT WEIGHT: 0.1 LBS (0.05 Kg)

MOUNTING DISCLAIMER  
 MOUNTING MEASUREMENT IS FOR REFERENCE ONLY. MEASURE BEFORE DRILLING.

| FGS. PRODUCT CHART |       |                  |               |         |
|--------------------|-------|------------------|---------------|---------|
| FGS. NO.           | COLOR | CURRENT (PEAK) A | POWER (MAX) W | CA T13  |
| ED5051A            | AMBER | 0.7              | 9.5           | CLASS B |
| ED5051W            | WHITE | 0.7              | 9.2           | -       |
| ED5051R            | RED   | 0.5              | 6.5           | CLASS B |

DISCLAIMER  
 DIMENSIONS, ILLUSTRATIONS, SPECIFICATIONS, AND CERTIFICATIONS CONTAINED IN THIS DOCUMENT ARE TYPICAL OF THE ACTUAL PRODUCT AND ARE SUBJECT TO CHANGE. ECCO ENGINEERING DOES NOT MAINTAIN FORMAL DESIGN CONTROL OF THIS PRODUCT.

- NOTES:  
 1. ROHS COMPLIANT  
 2. DIMENSIONS IN INCHES [MILLIMETERS (FOR REFERENCE)]

PROPRIETARY AND CONFIDENTIAL INFORMATION  
 THIS DRAWING AND THE DESIGN AND OTHER INFORMATION DISCLOSED HEREIN ARE THE PROPERTY OF ELECTRONIC CONTROLS COMPANY AND/OR ITS ECCO SAFETY GROUP AFFILIATES ("ECCO") AND IS ISSUED IN CONFIDENCE TO RECIPIENT FOR ENGINEERING INFORMATION PURPOSES ONLY. THIS DRAWING AND THE DESIGN AND OTHER INFORMATION DISCLOSED HEREIN MAY NOT BE USED, COPIED, REPRODUCED OR OTHERWISE DISCLOSED IN PART OR IN WHOLE TO THIRD PARTIES OR USED FOR ANY OTHER PURPOSE WITHOUT PRIOR ECCO WRITTEN CONSENT. ECCO RESERVES ALL PATENT, COPYRIGHT, TRADEMARK AND OTHER PROPRIETARY RIGHTS TO THIS DOCUMENT, INCLUDING ALL DESIGN, MANUFACTURING, REPRODUCTION, USE AND SALES RIGHTS THERETO. THIS DRAWING IS SUBJECT TO RECALL BY ECCO AT ANY TIME, AND YOUR POSSESSION AND/OR USE CONSTITUTES ACCEPTANCE OF THESE TERMS. ©2018 ELECTRONIC CONTROLS COMPANY

|  |  |  |            |   |
|--|--|--|------------|---|
| SCALE 1:1.75   |  | APPROVALS  | DATE       |   |
| CAD GENERATED DRAWING<br>DO NOT MANUALLY UPDATE.<br>MODEL REFERENCED: A              |  | DRAWN BY MDH   | 2020-10-21 |   |
| TOLERANCES ARE IN INCHES, AND MILLIMETERS<br>TOLERANCES UNLESS OTHERWISE STATED ARE: |  | CHECKED ABD  | 2020-10-22 |   |
| MILLIMETERS DECIMALS<br>XX. ± 1.0mm<br>XX.X ± 0.5mm                                  |  | MECH. ENG. JLA   | 2020-10-21 |   |
| INCHES DECIMALS<br>X.X ± 0.1<br>X.XX ± 0.04<br>X.XXX ± 0.02                          |  | ELEC. ENG. JES   | 2020-10-27 | <b>9 LED, NARROW, GRILL, 12-24V, AMBER</b><br>CUSTOMER PART NO.<br><b>SEE CHART</b> |
| ANGLES<br>± 0.5°<br>FRACTIONS<br>± 1/64  |  | TEST ENG. JRT  | 2020-10-23 |   |
| THIRD ANGLE PROJECTION   |  | SALES. MD  | 2020-10-23 |   |
|  |  | SIZE: A DWG. NO. ED5051A REV. C<br>Electronically Controlled Use Latest Copy SHEET 1 OF 1 Project: EL0143 Date Created: 2018-06-22 |            |   |