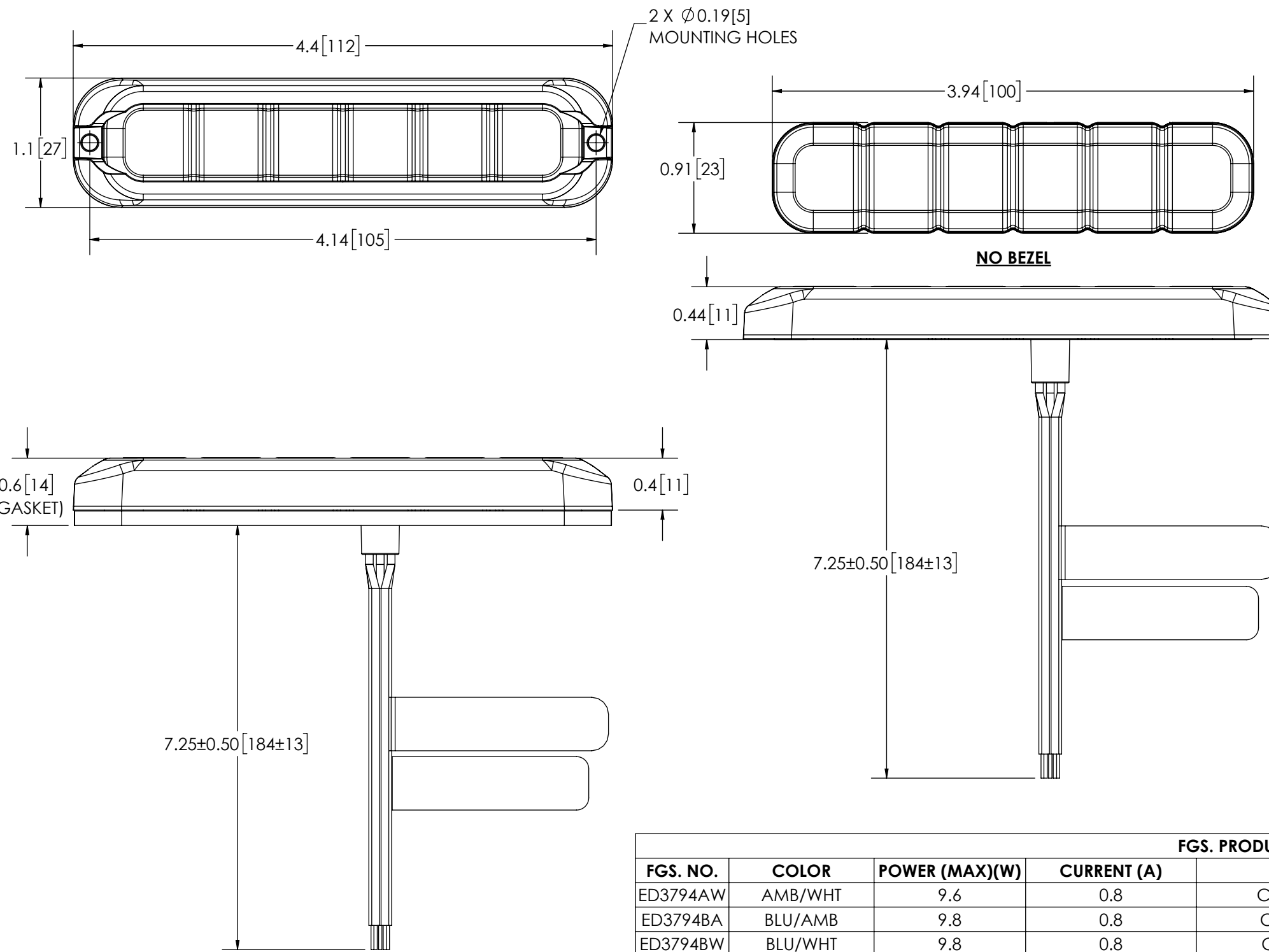


| REVISION HISTORY | | |
|------------------|----------------------------|------------|
| REV. | DESCRIPTION | DATE |
| 03 | REVISED PER EL0172 | 2020-10-27 |
| A | INITIAL RELEASE PER EL0172 | 2020-12-15 |
| B | REVISED PER EL0172 | 2021-01-14 |



SPECIFICATIONS

- CERTIFICATIONS: ECE R10; SAE J595 (MAR 2014) CLASS 1; J845 (FEB 2019) CLASS 1S; AMBER(30°), J845 (FEB 2019) CLASS 2S; WHITE(10°); CA Title 13 (SEE CHART); ; Reg 65; IP69K / IP67
Note: Unique components, accessories, and hardware kits are not typically included in the Product Certification Test Protocols. Unless otherwise Specified, the Product Certifications referred to herein are predicated upon the base product model configuration.
- FLASH MODE: SINGLE : 75 ± 5 FLASHES PER MINUTE
SINGLE : 375 ± 5 FLASHES PER MINUTE
DOUBLE : 75 ± 5 FLASHES PER MINUTE
- VOLTAGE (NOMINAL): 12 to 24 VDC
- VOLTAGE (EXTREME): 9.0-32 VDC
- CURRENT (PEAK): SEE CHART(@ 12 VDC NOMINAL)
- POWER (MAXIMUM): SEE CHART (@ 12 VDC NOMINAL)
- TEMPERATURE RANGE: -22°F (-30°C) TO 122°F (50°C)
- CONNECTION: 5-22 AWG WIRES
- MOUNTING: ADHESIVE OR SCREW MOUNT
- BASE MATERIAL: SILICONE
- LENS MATERIAL: SILICONE
- PRODUCT WEIGHT: 0.07 LBS (0.03 Kg)

| FGS. PRODUCT CHART | | | | | | |
|--------------------|---------|----------------|-------------|-----------------------------|------------------|-------------------|
| FGS. NO. | COLOR | POWER (MAX)(W) | CURRENT (A) | SAE J845 | CA T13 | ECE R65 |
| ED3794AW | AMB/WHT | 9.6 | 0.8 | CLASS 1S;AMB(60°)/WHT(40°) | CLASS B; AMB | CLASS 1; AMB |
| ED3794BA | BLU/AMB | 9.8 | 0.8 | CLASS 1S;BLU(60°)/AMB(60°) | CLASS B;BLU, AMB | CLASS 1; BLU, AMB |
| ED3794BW | BLU/WHT | 9.8 | 0.8 | CLASS 1S;BLU(60°)/WHT(40°) | CLASS B; BLU | CLASS 1; BLU |
| ED3794RA | RED/AMB | 9.6 | 0.8 | CLASS 1S;RED(60°)/AMB(60°) | CLASS B; RED,AMB | CLASS 1; RED, AMB |
| ED3794RB | RED/BLU | 9.8 | 0.8 | CLASS 1S;RED(60°)/BLU(60°) | CLASS B; RED,BLU | CLASS 1; RED, BLU |
| ED3794RW | RED/WHT | 8.3 | 0.6 | CLASS 1S; RED(60°)/WHT(40°) | CLASS B; RED | CLASS 1; RED |

MOUNTING DISCLAIMER
MOUNTING MEASUREMENT IS FOR REFERENCE ONLY.
MEASURE BEFORE DRILLING.

DISCLAIMER
DIMENSIONS, ILLUSTRATIONS, SPECIFICATIONS AND CERTIFICATIONS
CONTAINED IN THIS DOCUMENT ARE TYPICAL OF THE ACTUAL PRODUCT
AND ARE SUBJECT TO CHANGE. ECCO ENGINEERING DOES NOT
MAINTAIN FORMAL DESIGN CONTROL OF THIS PRODUCT.

NOTES:
1. ROHS COMPLIANT
2. DIMENSIONS IN INCHES[MILLIMETERS (FOR REFERENCE)]

PROPRIETARY AND CONFIDENTIAL INFORMATION

THIS DRAWING AND THE DESIGN AND OTHER INFORMATION DISCLOSED HEREIN ARE THE PROPERTY OF ELECTRONIC CONTROLS COMPANY AND/OR ITS ECCO SAFETY GROUP AFFILIATES ("ECCO") AND IS ISSUED IN CONFIDENCE TO RECIPIENT FOR ENGINEERING INFORMATION PURPOSES ONLY. THIS DRAWING AND THE DESIGN AND OTHER INFORMATION DISCLOSED HEREIN MAY NOT BE USED, COPIED, REPRODUCED OR OTHERWISE DISCLOSED IN PART OR IN WHOLE TO THIRD PARTIES OR USED FOR ANY OTHER PURPOSE WITHOUT PRIOR ECCO WRITTEN CONSENT. ECCO RESERVES ALL PATENT, COPYRIGHT, TRADEMARK AND OTHER PROPRIETARY RIGHTS TO THIS DOCUMENT, INCLUDING ALL DESIGN, MANUFACTURING, REPRODUCTION, USE AND SALES RIGHTS THEREIN. THIS DRAWING IS SUBJECT TO RECALL BY ECCO AT ANY TIME, AND YOUR POSSESSION AND/OR USE CONSTITUTES ACCEPTANCE OF THESE TERMS. ©2020 ELECTRONIC CONTROLS COMPANY

| | | | |
|--|---|-------------------|---|
| SCALE 1:1 | APPROVALS | DATE | |
| CAD GENERATED DRAWING DO NOT MANUALLY UPDATE. MODEL REFERENCED: 01 | DRAWN BY: ABB | 2021-01-11 | |
| TOLERANCES ARE IN INCHES, AND MILLIMETERS TOLERANCES UNLESS OTHERWISE STATED ARE: | CHECKED: ART | 2021-01-12 | |
| XX ± 1.0mm XX.X ± 0.5mm | MECH. ENG. JLA | 2021-01-11 | |
| XX ± 0.1 XX.X ± 0.04 XX.XX ± 0.02 | ELEC. ENG. JES | 2021-01-11 | DIR, 12LED, SM, FLEXIBLE, DC, 12-24V |
| ANGLES ± 0.5° FRACTIONS ± 1/64 | TEST ENG. AL | 2021-01-13 | |
| THIRD ANGLE PROJECTION | SALES. MD | 2021-01-11 | |
| | Electronically Controlled Use Latest Copy | | CUSTOMER PART NO. SEE CHART |
| SIZE: B | | DWG. NO. ED3794XX | REV. B |
| SHEET 1 OF 1 | | Project: EL0172 | Date Created: 2020-09-11 |