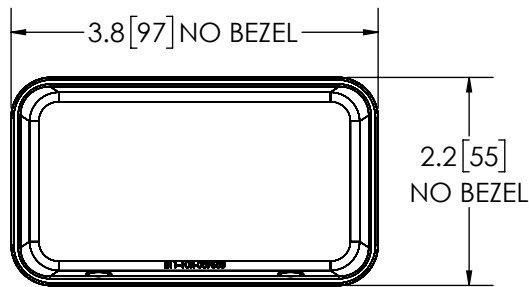
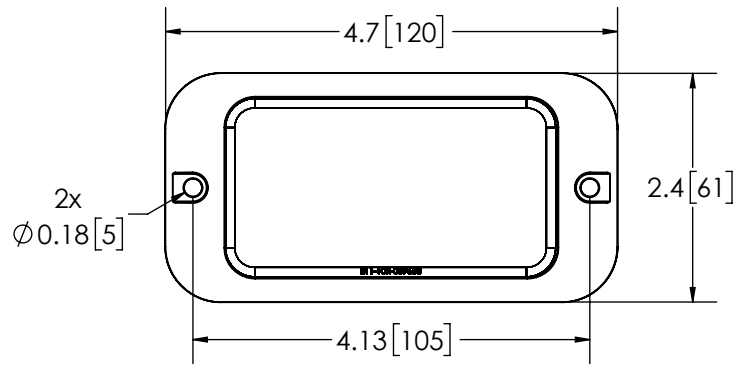
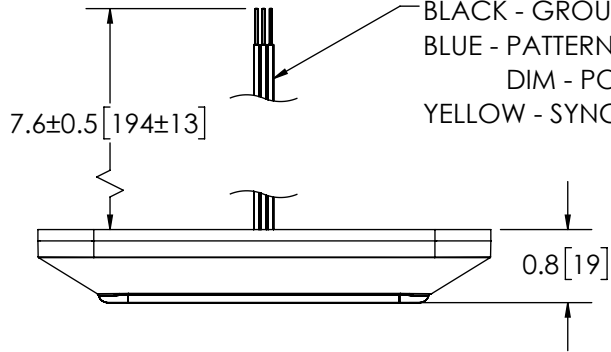


5-22 AWG WIRES
 RED - PATTERN 1 - POSITIVE (+)
 WHITE - PATTERN 2 - POSITIVE (+)
 BLACK - GROUND (-)
 BLUE - PATTERN SELECT - MOMENTARY TO GROUND (-)/
 DIM - POWER (+)
 YELLOW - SYNC



REVISION HISTORY		
REV.	DESCRIPTION	DATE
02	REVISED PER C14031	2019-02-01
A	INITIAL RELEASE PER C14031	2019-02-18
B	REVISED PER EC6091	2021-03-16

SPECIFICATIONS

- CERTIFICATIONS: ECE R10; SAE J595 (MAR 2014) (SEE CHART); CA Title 13 (SEE CHART); ; Reg 65 (SEE CHART); IP67
 Note: Unique components, accessories, and hardware kits are not typically included in the Product Certification Test Protocols. Unless otherwise Specified, the Product Certifications referred to herein are predicated upon the base product model configuration.
- FLASH MODE: CYCLE : N/A ± 5 FLASHES PER MINUTE
 SINGLE : 75 ± 5 FLASHES PER MINUTE
 SINGLE : 375 ± 5 FLASHES PER MINUTE
- VOLTAGE (NOMINAL): 12-24 VDC
- VOLTAGE (EXTREME): 9-32 VDC
- CURRENT (PEAK): SEE CHART (@ 12 VDC NOMINAL)
- POWER (MAXIMUM): SEE CHART (@ 12 VDC NOMINAL)
- TEMPERATURE RANGE: -40°F (-40°C) TO 149°F (65°C)
- CONNECTION: 5 - 22 AWG WIRES
- MOUNTING: 2 BOLT
- BASE MATERIAL: POLYCARBONATE
- LENS MATERIAL: POLYCARBONATE
- PRODUCT WEIGHT: .244 LBS (0.11 Kg)

FGS. PRODUCT CHART

FGS. NO.	COLOR	CURRENT (PEAK) A	POWER (MAX) W	SAE J595	CA TITLE 13	R65
ED3789BA	BLU/AMB	1.23	15.7	CLASS 1	CLASS B	CLASS 2
ED3789BC	BLU/WHT	1.20	15.4	CLASS 1	CLASS B; BLU	CLASS 2; BLU
ED3789RA	RED/AMB	1.23	15.7	CLASS 1	CLASS B	CLASS 2
ED3789RB	RED/BLU	1.16	14.8	CLASS 1	CLASS B	CLASS 2
ED3789RC	RED/WHT	1.20	15.4	CLASS 1	CLASS B; RED	CLASS 2; RED
ED3789AC	AMB/WHT	1.23 A	15.7	CLASS 1	CLASS B; AMB	CLASS 2; AMB

- NOTES:
 1. ROHS COMPLIANT
 2. DIMENSIONS IN INCHES[MILLIMETERS (FOR REFERENCE)]

PROPRIETARY AND CONFIDENTIAL INFORMATION

THIS DRAWING AND THE DESIGN AND OTHER INFORMATION DISCLOSED HEREIN ARE THE PROPERTY OF ELECTRONIC CONTROLS COMPANY AND/OR ITS ECCO SAFETY GROUP AFFILIATES ("ECCO") AND IS ISSUED IN CONFIDENCE TO RECIPIENT FOR ENGINEERING INFORMATION PURPOSES ONLY. THIS DRAWING AND THE DESIGN AND OTHER INFORMATION DISCLOSED HEREIN MAY NOT BE USED, COPIED, REPRODUCED OR OTHERWISE DISCLOSED IN PART OR IN WHOLE TO THIRD PARTIES OR USED FOR ANY OTHER PURPOSE WITHOUT PRIOR ECCO WRITTEN CONSENT. ECCO RESERVES ALL PATENT, COPYRIGHT, TRADEMARK AND OTHER PROPRIETARY RIGHTS TO THIS DOCUMENT, INCLUDING ALL DESIGN, MANUFACTURING, REPRODUCTION, USE AND SALES RIGHTS THERETO. THIS DRAWING IS SUBJECT TO RECALL BY ECCO AT ANY TIME, AND YOUR POSSESSION AND/OR USE CONSTITUTES ACCEPTANCE OF THESE TERMS. ©2018 ELECTRONIC CONTROLS COMPANY

SCALE 1:2		APPROVALS	DATE
CAD GENERATED DRAWING DO NOT MANUALLY UPDATE. MODEL REFERENCED: A		DRAWN BY MDH	2021-02-05
		CHECKED ABD	2021-02-08
TOLERANCES ARE IN INCHES, AND MILLIMETERS TOLERANCES UNLESS OTHERWISE STATED ARE:		MECH. ENG. NMT	2021-02-08
		ELEC. ENG.	
MILLIMETERS DECIMALS XX. ± 1.0mm XX.X ± 0.5mm		INCHES DECIMALS X.X ± 0.1 X.XX ± 0.04 X.XXX ± 0.02	ANGLES ± 0.5° FRACTIONS ± 1/64
THIRD ANGLE PROJECTION		TEST ENG.	
		SALES. MD	2021-02-09
		Electronically Controlled Use Latest Copy	



16 LED, DBL STACK, SURF MNT, DUAL, 12-24V

CUSTOMER PART NO. SEE CHART			
SIZE: A	DWG. NO. ED3789XX	REV. B	
SHEET 1 OF 1		Project: C14031	Date Created: 2018-11-13