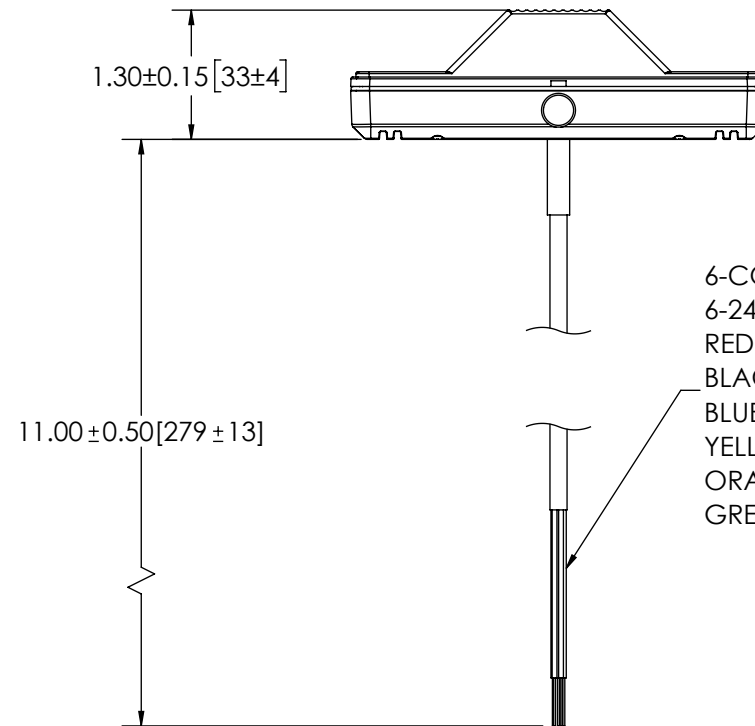
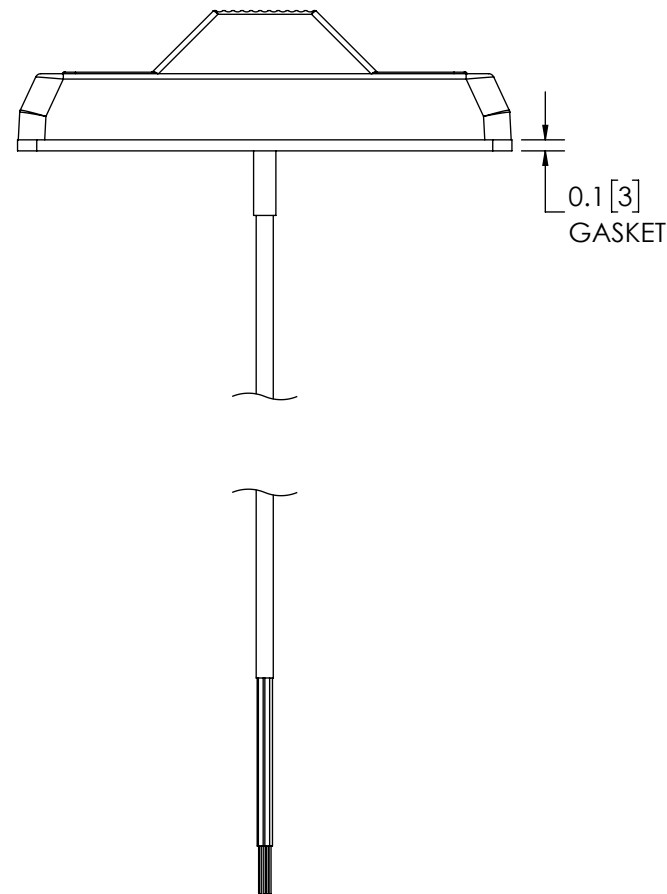
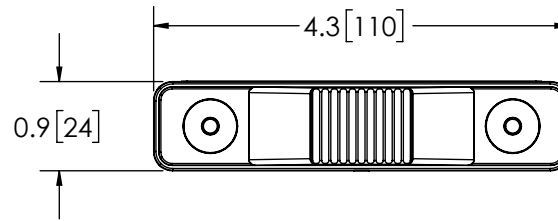


LIGHTHEAD ONLY



- 6-CONDUCTOR CABLE
- 6-24 AWG WIRES
- RED - POSITIVE(+)
- BLACK - NEGATIVE(-)
- BLUE - PATTERN SELECT TO NEGATIVE(-)
- YELLOW - SYNCHRONIZED FUNCTION
- ORANGE - TAKEDOWN LIGHT OPERATION TO POSITIVE(+)
- GREEN - GROUND LIGHT OPERATION TO POSITIVE(+)

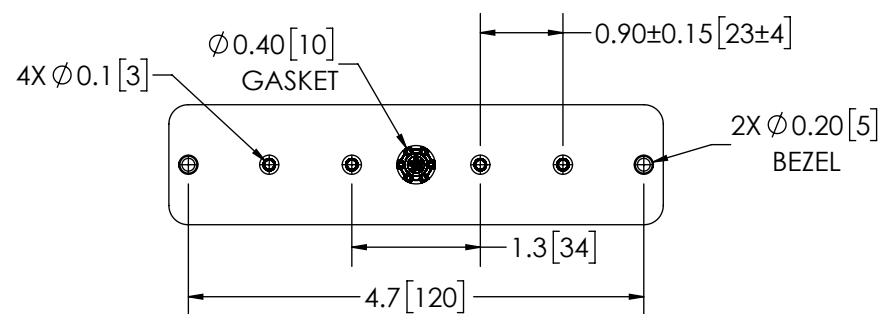
DISCLAIMER
 DIMENSIONS, ILLUSTRATIONS, SPECIFICATIONS, AND CERTIFICATIONS CONTAINED IN THIS DOCUMENT ARE TYPICAL OF THE ACTUAL PRODUCT AND ARE SUBJECT TO CHANGE. ECCO ENGINEERING DOES NOT MAINTAIN FORMAL DESIGN CONTROL OF THIS PRODUCT.

MOUNTING DISCLAIMER
 MOUNTING MEASUREMENT IS FOR REFERENCE ONLY. MEASURE BEFORE DRILLING.

REVISION HISTORY		
REV.	DESCRIPTION	DATE
03	REVISED PER EL0067	2016-12-01
A	INITIAL RELEASE PER EL0067	2017-02-22
B	REVISE PER EL0067	2017-04-14

SPECIFICATIONS

1. CERTIFICATIONS: ECE R10; SAE J595 (MAR 2014) CLASS 1, J845 (JUN 2013) CLASS 1S ±70°; YELLOW; Reg 65 CertE6 XA1-000200; IP67
 Note: Unique components, accessories, and hardware kits are not typically Included in the Product Certification Test Protocols. Unless otherwise Specified, the Product Certifications referred to herein are predicated upon the base product model configuration.
2. FLASH MODE: SINGLE : 75 ± 5 FLASHES PER MINUTE
 SINGLE : 120 ± 5 FLASHES PER MINUTE
 DOUBLE : 75 ± 5 FLASHES PER MINUTE
3. VOLTAGE (NOMINAL): 12 to 24 VDC
4. VOLTAGE (EXTREME): 10 to 30 VDC
5. CURRENT (PEAK): 1.22A (@ 12 VDC NOMINAL)
6. POWER (MAXIMUM): 15.6W (@ 12 VDC NOMINAL)
7. TEMPERATURE RANGE: -22°F (-30°C) TO 122°F (50°C)
8. CONNECTION: 6 - 24 AWG WIRES
9. MOUNTING: 2 BOLT
10. BASE MATERIAL: ALUMINUM
11. LENS MATERIAL: POLYCARBONATE
12. PRODUCT WEIGHT: 0.3 LBS (0.14 Kg)



FGS PRODUCT CHART										
FGS. NO.	COLOR	CURRENT @ 12.8V (A)	POWER @ 12V (W)	IP67	RoHS	ECE R65	SAE	Title 13	J595	J845
ED3777A	AMBER	1.22	15.6	YES	YES	CLASS 1	CLASS 1	CLASS B	YES	YES
ED3777B	BLUE	1.31	16.8	YES	YES	CLASS 1	CLASS 1	CLASS B	YES	YES
ED3777G	GREEN	1.31	16.8	YES	YES					
ED3777R	RED	0.99	12.7	YES	YES	CLASS 1	CLASS 1	CLASS B	YES	YES
ED3777W	WHITE	1.22	15.6	YES	YES		CLASS 1		YES	YES

NOTES:
 1. DIMENSIONS IN INCHES[MILLIMETERS (FOR REFERENCE)]

NON DISCLOSURE AGREEMENT
 THIS DRAWING AND THE DESIGN IT DISCLOSES ARE THE PRIVATE PROPERTY OF ELECTRONIC CONTROLS CO. AND IS ISSUED IN CONFIDENCE FOR ENGINEERING INFORMATION ONLY. THE DRAWING AND / OR DESIGN MAY NOT BE USED, COPIED, REPRODUCED, OR OTHERWISE DISCLOSED IN PART OR AS A WHOLE TO OUTSIDERS OR USED FOR ANY OTHER PURPOSE WITHOUT THE PRIOR WRITTEN CONSENT OF ELECTRONIC CONTROLS CO. THE DRAWING IS SUBJECT TO RECALL AT ANY TIME. YOUR POSSESSION OF THIS DOCUMENT CONSTITUTES ACCEPTANCE OF THESE TERMS. © 2016 ELECTRONIC CONTROLS CO.

SCALE 1:2	APPROVALS	DATE
CAD GENERATED DRAWING DO NOT MANUALLY UPDATE. MODEL REFERENCED: A	DRAWN BY	2017-04-10
	CHECKED MDH	2017-04-11
TOLERANCES ARE IN INCHES, AND MILLIMETERS TOLERANCES UNLESS OTHERWISE STATED ARE:	MECH. ENG. JLA	2017-04-10
	ELEC. ENG. JES	2017-04-10
XX. ± 1.0mm XX.X ± 0.5mm	TEST ENG. JRT	2017-04-12
	SALES. GLB	2017-04-10



LED, MULTI MNT, 180 DEG, PUD, WL, 12-24V, A

CUSTOMER PART NO. SEE CHART		PRODUCT SERIES:
SIZE: B	DWG. NO. ED3777X	REV. B
Project: EL0067		Date Created: 2016-11-10

Electronically Controlled Use Latest Copy SHEET 1 OF 1