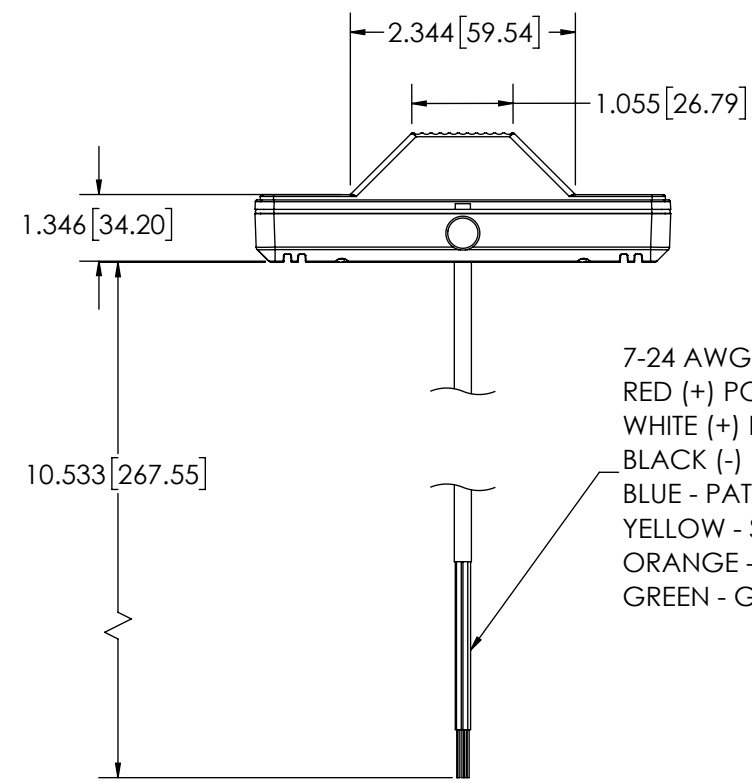
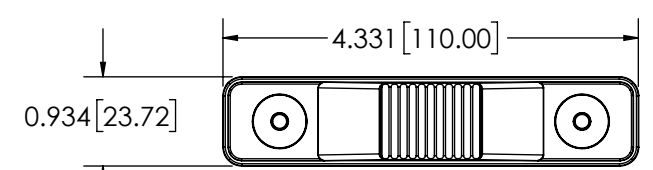


**LIGHTHEAD ONLY**



- 7-24 AWG WIRES
- RED (+) POSITIVE, COLORS 1 & 3
- WHITE (+) POSITIVE, COLORS 2 & 4
- BLACK (-) NEGATIVE
- BLUE - PATTERN SELECT TO NEGATIVE
- YELLOW - SYNCHRONIZED FUNCTION
- ORANGE - TAKEDOWN LIGHT OPERATION
- GREEN - GROUND LIGHT OPERATION

REVISION HISTORY		
REV.	DESCRIPTION	DATE
02	REVISED PER EL0067	2017-08-01
03	REVISED PER EL0067	2017-08-02
A	INITIAL RELEASE PER EL0067	2017-08-18

**SPECIFICATIONS**

1. CERTIFICATIONS: ECE R10; IP67; SEE CHART  
Note: Unique components, accessories, and hardware kits are not typically included in the Product Certification Test Protocols. Unless otherwise Specified, the Product Certifications referred to herein are predicated upon the base product model configuration.
2. FLASH MODE: SINGLE : 75 ± 5 FLASHES PER MINUTE  
SINGLE : 120 ± 5 FLASHES PER MINUTE  
DOUBLE : 75 ± 5 FLASHES PER MINUTE
3. VOLTAGE (NOMINAL): 12 to 24 VDC
4. VOLTAGE (EXTREME): 10 to 30 VDC
5. CURRENT (PEAK): 1.4A (@ 12 VDC NOMINAL)
6. POWER (MAXIMUM): 16.9W (@ 12 VDC NOMINAL)
7. TEMPERATURE RANGE: -22°F (-30°C) TO 122°F (50°C)
8. CONNECTION: 7 - 24 AWG WIRES
9. MOUNTING: 2 BOLT
10. BASE MATERIAL: ALUMINUM
11. LENS MATERIAL: POLYCARBONATE
12. PRODUCT WEIGHT: 0.3 LBS (0.14 Kg)

**DISCLAIMER**  
DIMENSIONS, ILLUSTRATIONS, SPECIFICATIONS, AND CERTIFICATIONS CONTAINED IN THIS DOCUMENT ARE TYPICAL OF THE ACTUAL PRODUCT AND ARE SUBJECT TO CHANGE. ECCO ENGINEERING DOES NOT MAINTAIN FORMAL DESIGN CONTROL OF THIS PRODUCT.

**MOUNTING DISCLAIMER**  
MOUNTING MEASUREMENT IS FOR REFERENCE ONLY. MEASURE BEFORE DRILLING.

FGS PRODUCT CHART							
FGS. NO.	COLOR	CURRENT @ 12.8V(A)	POWER @ 12V(W)	J595	J845	ECE R65	TITLE 13
ED3777AB	AMBER/BLUE	1.4	16.9	CLASS 1; AMBER, BLUE	CLASS 1S; AMBER (100°), BLUE (100°)	CLASS 1; AMBER, BLUE	CLASS B; AMBER, BLUE
ED3777AG	AMBER/GREEN	1.2	14.3	CLASS 1; AMBER	CLASS 1S; AMBER (100°)	CLASS 1; AMBER	CLASS B; AMBER
ED3777AR	AMBER/RED	1.2	14.3	CLASS 1; AMBER, RED	CLASS 1S; AMBER (100°), RED (120°)	CLASS 1; AMBER, RED	CLASS B; AMBER, RED
ED3777AW	AMBER/WHITE	1.2	14.3	CLASS 1; AMBER, WHITE	CLASS 1S; AMBER (100°), WHITE (100°)	CLASS 1; AMBER	CLASS B; AMBER
ED3777BW	BLUE/WHITE	1.4	16.9	CLASS 1; BLUE, WHITE	CLASS 1S; BLUE (100°), WHITE (100°)	CLASS 1; BLUE	CLASS B; BLUE
ED3777RB	RED/BLUE	1.4	16.9	CLASS 1; RED; BLUE	CLASS 1S; RED (120°), BLUE (100°)	CLASS 1; RED, BLUE	CLASS B; RED, BLUE
ED3777RW	RED/WHITE	1.1	12.9	CLASS 1; RED, WHITE	CLASS 1S; RED (120°), WHITE (100°)	CLASS 1; RED	CLASS B; RED

- NOTES:**
1. ROHS COMPLIANT
  2. DIMENSIONS IN INCHES[MILLIMETERS (FOR REFERENCE)]

NON DISCLOSURE AGREEMENT  
THIS DRAWING AND THE DESIGN IT DISCLOSES ARE THE PRIVATE PROPERTY OF ELECTRONIC CONTROLS CO. AND IS ISSUED IN CONFIDENCE FOR ENGINEERING INFORMATION ONLY. THE DRAWING AND / OR DESIGN MAY NOT BE USED, COPIED, REPRODUCED, OR OTHERWISE DISCLOSED IN PART OR AS A WHOLE TO OUTSIDERS OR USED FOR ANY OTHER PURPOSE WITHOUT THE PRIOR WRITTEN CONSENT OF ELECTRONIC CONTROLS CO. THE DRAWING IS SUBJECT TO RECALL AT ANY TIME. YOUR POSSESSION OF THIS DOCUMENT CONSTITUTES ACCEPTANCE OF THESE TERMS. © 2016 ELECTRONIC CONTROLS CO.

SCALE 1:2		APPROVALS	DATE
CAD GENERATED DRAWING DO NOT MANUALLY UPDATE. MODEL REFERENCED: A		DRAWN BY	2017-08-02
TOLERANCES ARE IN INCHES, AND MILLIMETERS TOLERANCES UNLESS OTHERWISE STATED ARE:		CHECKED ABB	2017-08-02
MILLIMETERS DECIMALS		MECH. ENG. JLA	2017-08-02
INCHES DECIMALS		ELEC. ENG.	
ANGLES		TEST ENG. JRT	2017-08-04
FRACTIONS		SALES. TJD	2017-08-18
THIRD ANGLE PROJECTION			

**ECCO®**

**LED, DUAL, MULTI MNT, 180\*, PUD, WL, 12-24V**

CUSTOMER PART NO. **SEE CHART** PRODUCT SERIES:

SIZE: **B** DWG. NO. **ED3777XX** REV. **A**

Project: EL0067 Date Created: 2016-11-10

Electronically Controlled Use Latest Copy SHEET 1 OF 1