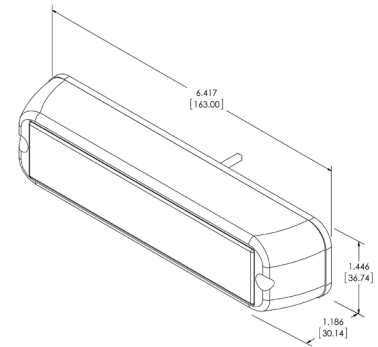


BEACONS | MINIBARS | LIGHTBARS | WORKLAMPS | UTILITY BARS | INTERIOR LIGHTING | BACK-UP ALARMS | CAMERA SYSTEMS

DIRECTIONALS

ED3766 SERIES SAE Class I Tri-Color Surface Mount

The ED3766 tri-color directional LED warning light offers the flexibility of three different color outputs within a single unit, comprised of 18 high intensity LEDs, six of each color. SAE Class I light output, synchronization capability and the choice of 24 flash patterns allows the creation of an attention-getting multi-color warning system with half the number of lights typically required. Each model can be programmed to flash each color option individually or alternate colors.



Models

PART NO.	COLORS	VDC	AMPS	MOUNT
ED3766RBW	Red/Blue/White	12-24	0.9	Surface
ED3766RBA	Red/Blue/Amber	12-24	0.9	Surface
ED3766RAW	Red/Amber/White	12-24	0.9	Surface
ED3766BAW	Blue/Amber/White	12-24	0.9	Surface
ED3766AGW	Amber/Green/White	12-24	0.9	Surface

Features and Benefits

- 18 high-intensity LEDs provide exceptional warning
- Six LEDs per color
- 24 flash patterns
- Synchronizable
- Aluminum housing, polycarbonate lens
- Encapsulated electronics
- SAE J595 Class I
- California Title 13, R65, CE, R10, IP67
- Temperature Range: -22°F to +122°F (-30°C to +50°C)
- Warranty: 3 years

Flash Patterns (24)

- Single 75FPM Ph1
- Single 75FPM Ph2
- Single 120FPM Ph1
- Single 120FPM Ph2
- Single 375FPM Ph1
- Single 375FPM Ph2
- Double 75FPM Ph1
- Double 75FPM Ph2
- Double 120FPM Ph1
- Double 120FPM Ph2
- Triple 75FPM Ph1
- Triple 75FPM Ph2
- Quad 75FPM Ph1
- Quad 75FPM Ph2
- Quad 150FPM Ph1
- Quad 150FPM Ph2
- CAT 13 Single Flash
- CAT 13 Double Flash
- NFPA Quad Flash
- ModuFlash
- 2 Double, 2 Quad
- 4 Single, 2 Triple
- AutoRun
- Steady Burn



Programmable to flash each color option individually or to flash alternating colors.