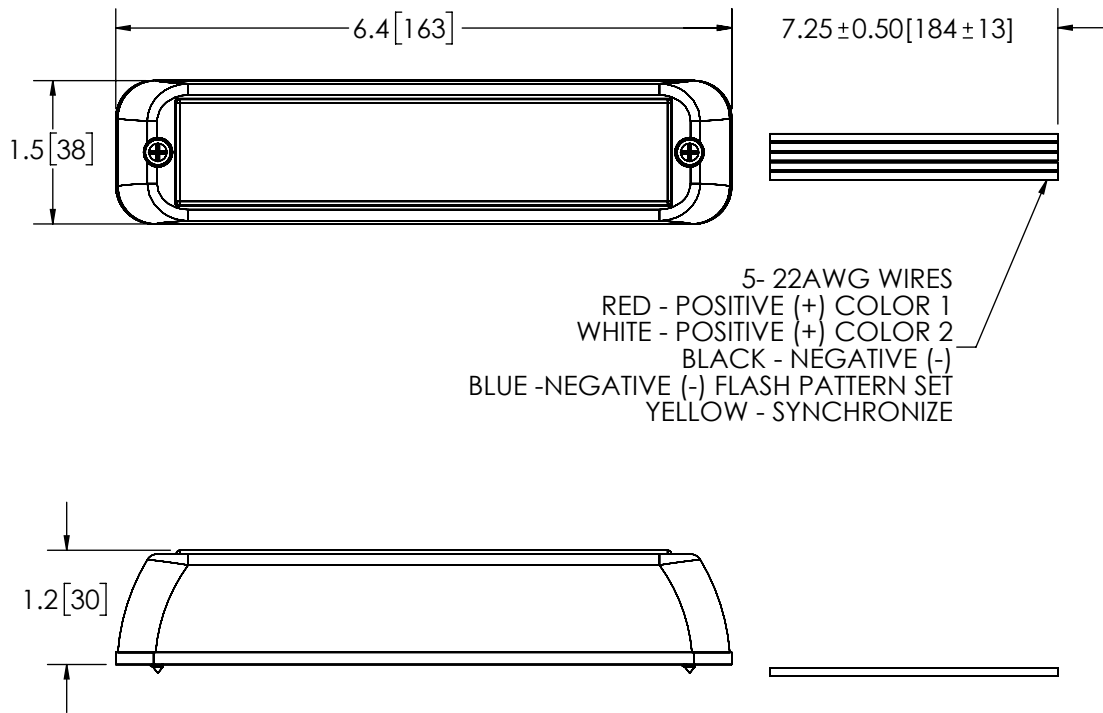


| REVISION HISTORY | | |
|------------------|-------------------|------------|
| REV. | DESCRIPTION | DATE |
| B | REVISE PER EC3679 | 2014-09-16 |
| C | REVISE PER EC3679 | 2016-04-19 |
| D | REVISE PER HC0423 | 2017-01-23 |



SPECIFICATIONS

- CERTIFICATIONS: **CE**; ECE R10; IP67; SEE CHART
 Note: Unique components, accessories, and hardware kits are not typically included in the Product Certification Test Protocols. Unless otherwise Specified, the Product Certifications referred to herein are predicated upon the base product model configuration.
- FLASH MODE: SINGLE : 75 ± 5 FLASHES PER MINUTE
 DOUBLE : 75 ± 5 FLASHES PER MINUTE
 DOUBLE FAST : 120 ± 5 FLASHES PER MINUTE
- VOLTAGE (NOMINAL): 12 to 24 VDC
- VOLTAGE (EXTREME): 9.0 to 32 VDC
- CURRENT (PEAK): 0.75A (@ 12 VDC NOMINAL)
- POWER (MAXIMUM): 9.6W (@ 12 VDC NOMINAL)
- TEMPERATURE RANGE: -22°F (-30°C) TO 122°F (50°C)
- CONNECTION: 5-22 AWG WIRES
- MOUNTING: FLUSH
- BASE MATERIAL: ALUMINUM
- LENS MATERIAL: POLYCARBONATE
- PRODUCT WEIGHT: 0.4 LBS (0.18 Kg)

FGS PRODUCT CHART

| FGS. NO. | COLOR | CURRENT (PEAK) | POWER (MAX) | SAE J595 | ECE R65 | CA TITLE 13 |
|----------|----------|----------------|-------------|----------|-------------|----------------------|
| ED3766AB | AMB/BLUE | 0.75 | 9.6 | CLASS1 | YELLOW/BLUE | CLASS B YELLOW, BLUE |
| ED3766AC | AMB/CLR | 0.77 | 9.9 | CLASS1 | YELLOW | CLASS B YELLOW |
| ED3766AG | AMB/GRN | 0.75 | 9.6 | CLASS1 | YELLOW | CLASS B YELLOW |
| ED3766AR | AMB/RED | 0.75 | 9.6 | CLASS1 | YELLOW | CLASS B YELLOW, RED |
| ED3766RB | RED/BLUE | 0.71 | 9.1 | CLASS1 | BLUE | CLASS B RED, BLUE |

NOTES:
 1. DIMENSIONS IN INCHES[MILLIMETERS (FOR REFERENCE)]

| SCALE 1:2 | | APPROVALS | DATE | ECCO® | |
|--|---|---|------------|-----------------------------|-------------------|
| CAD GENERATED DRAWING DO NOT MANUALLY UPDATE. MODEL REFERENCED:A | | DRAWN BY ABB | 2016-12-23 | 12 LED,SURFACE MOUNT,12-24V | |
| TOLERANCES ARE IN INCHES, AND MILLIMETERS TOLERANCES UNLESS OTHERWISE STATED ARE: | | CHECKED ABB | 2016-12-27 | | |
| MILLIMETERS DECIMALS XX. ± 1.0mm XX.X ± 0.5mm | INCHES DECIMALS X.X ± 0.1 X.XX ± 0.04 X.XXX ± 0.02 | MECH. ENG. | | CUSTOMER PART NO. ED3766 | |
| | | ELEC. ENG. | | PRODUCT SERIES: ED3766 | |
| | | TEST ENG. JRT | 2017-01-09 | SIZE: A | DWG. NO. ED3766XX |
| | | SALES. GLB | 2016-12-28 | REV. D | |
| THIRD ANGLE PROJECTION | | Electronically Controlled Use Latest Copy | | SHEET 1 OF 1 | Project: LM13212 |
| | | Date Created: 2013-11-22 | | | |

NON DISCLOSURE AGREEMENT
 THIS DRAWING AND THE DESIGN IT DISCLOSES ARE THE PRIVATE PROPERTY OF ESG AND IS ISSUED IN CONFIDENCE FOR ENGINEERING INFORMATION ONLY. THE DRAWING AND / OR DESIGN MAY NOT BE USED, COPIED, REPRODUCED, OR OTHERWISE DISCLOSED IN PART OR AS A WHOLE TO OUTSIDERS OR USED FOR ANY OTHER PURPOSE WITHOUT THE PRIOR WRITTEN CONSENT OF ESG. THE DRAWING IS SUBJECT TO RECALL AT ANY TIME. YOUR POSSESSION OF THIS DOCUMENT CONSTITUTES ACCEPTANCE OF THESE TERMS. © 2013 ECCO