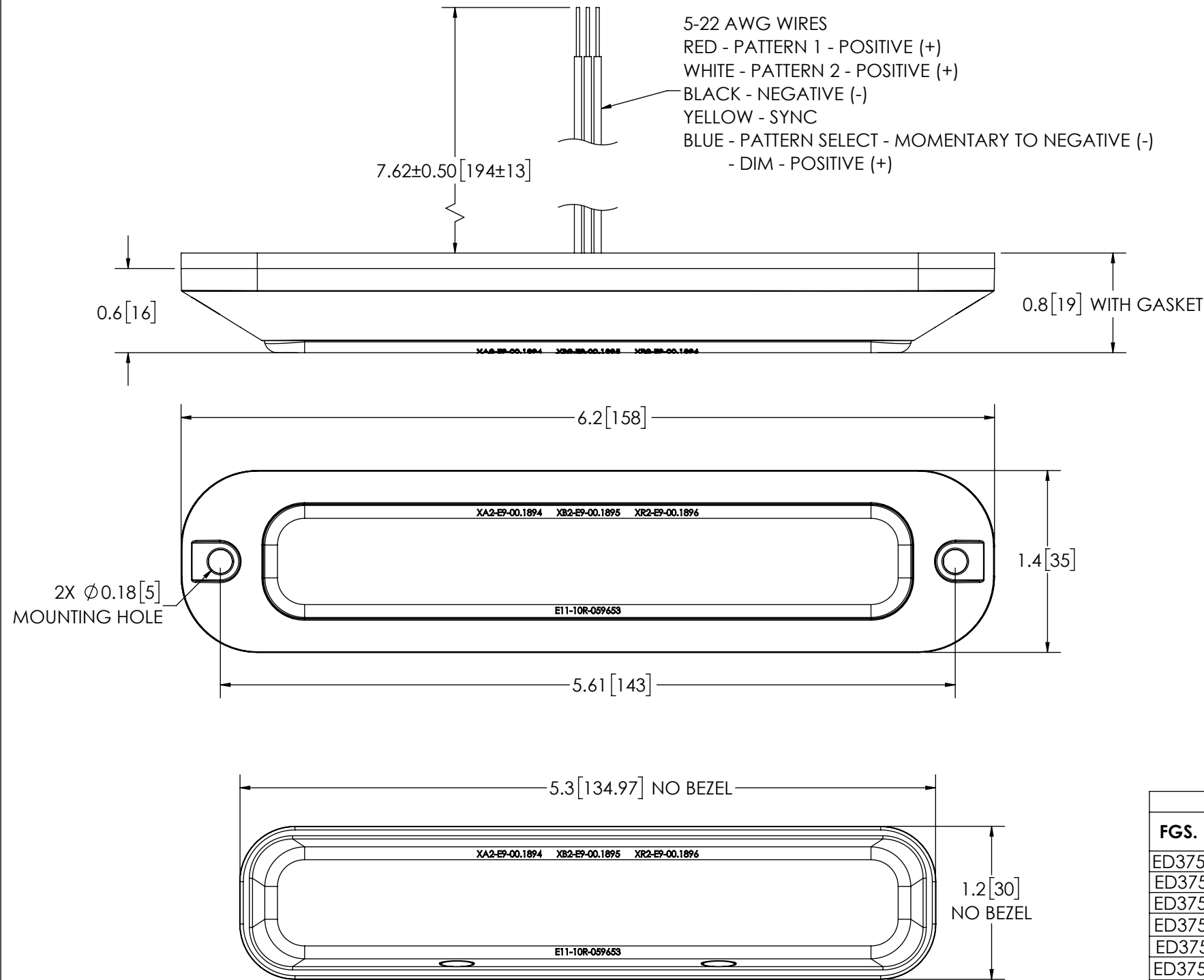


REVISION HISTORY		
REV.	DESCRIPTION	DATE
05	REVISED PER C14031	2019-04-09
A	INITIAL RELEASE PER C14031	2019-04-11
B	REVISED PER EC6091	2021-03-16



SPECIFICATIONS

- CERTIFICATIONS: ECE R10; SAE J595 CLASS 1; CA Title 13 (SEE CHART); IP67; REG65(SEE CHART); NFPA
 Note: Unique components, accessories, and hardware kits are not typically included in the Product Certification Test Protocols. Unless otherwise Specified, the Product Certifications referred to herein are predicated upon the base product model configuration.
- FLASH MODE: CYCLE: N/A FLASHES PER MINUTE
 SINGLE: 75 ± 5 FLASHES PER MINUTE
 SINGLE : 120 ± 5 FLASHES PER MINUTE
- VOLTAGE (NOMINAL): 12-24 VDC
- VOLTAGE (EXTREME): 9-32 VDC
- CURRENT (PEAK): SEE CHART
- POWER (MAXIMUM): SEE CHART
- TEMPERATURE RANGE: -40°F (-40°C) TO 149°F (65°C)
- CONNECTION: 5 - 22 AWG WIRES
- MOUNTING: 2 BOLT
- BASE MATERIAL: POLYCARBONATE
- LENS MATERIAL: POLYCARBONATE
- PRODUCT WEIGHT: 0.18 LBS (0.08 Kg)

FG PRODUCT CHART					
FGS. NO.	COLOR	CURRENT (PEAK) @ 12 VDC NOMINAL	POWER (MAX) @ 12 VDC NOMINAL	REG65	CA TITLE 13
ED3755AC	AMB/WHT	0.80 A	10.8 W	CLASS 2 (AMB ONLY)	CLASS B (AMB ONLY)
ED3755AB	BLU/AMB	0.80 A	10.8 W	CLASS 2	CLASS B
ED3755BC	BLU/WHT	0.80 A	10.8 W	CLASS 2 (BLU ONLY)	CLASS B (BLU ONLY)
ED3755AR	RED/AMB	0.80 A	10.8 W	CLASS 2	CLASS B
ED3755RB	RED/BLU	0.70 A	10.1 W	CLASS 2	CLASS B
ED3755RC	RED/WHT	0.80 A	10.8 W	CLASS 2 (RED ONLY)	CLASS B (RED ONLY)

- NOTES:
- ROHS COMPLIANT
 - DIMENSIONS IN INCHES[MILLIMETERS (FOR REFERENCE)]

PROPRIETARY AND CONFIDENTIAL INFORMATION

THIS DRAWING AND THE DESIGN AND OTHER INFORMATION DISCLOSED HEREIN ARE THE PROPERTY OF ELECTRONIC CONTROLS COMPANY AND/OR ITS ECCO SAFETY GROUP AFFILIATES ("ECCO") AND IS ISSUED IN CONFIDENCE TO RECIPIENT FOR ENGINEERING INFORMATION PURPOSES ONLY. THIS DRAWING AND THE DESIGN AND OTHER INFORMATION DISCLOSED HEREIN MAY NOT BE USED, COPIED, REPRODUCED OR OTHERWISE DISCLOSED IN PART OR IN WHOLE TO THIRD PARTIES OR USED FOR ANY OTHER PURPOSE WITHOUT PRIOR ECCO WRITTEN CONSENT. ECCO RESERVES ALL PATENT, COPYRIGHT, TRADEMARK AND OTHER PROPRIETARY RIGHTS TO THIS DOCUMENT, INCLUDING ALL DESIGN, MANUFACTURING, REPRODUCTION, USE AND SALES RIGHTS THEREIN. THIS DRAWING IS SUBJECT TO RECALL BY ECCO AT ANY TIME, AND YOUR POSSESSION AND/OR USE CONSTITUTES ACCEPTANCE OF THESE TERMS. ©2019 ELECTRONIC CONTROLS COMPANY

SCALE 1:1	APPROVALS	DATE													
CAD GENERATED DRAWING DO NOT MANUALLY UPDATE. MODEL REFERENCED: A	DRAWN BY: ABB	2021-02-05													
TOLERANCES ARE IN INCHES, AND MILLIMETERS TOLERANCES UNLESS OTHERWISE STATED ARE:	CHECKED: ABD	2021-02-08													
<table border="1"> <tr> <th>MILLIMETERS DECIMALS</th> <th>INCHES DECIMALS</th> <th>ANGLES</th> </tr> <tr> <td>XX ± 1.0mm</td> <td>X.X ± 0.1</td> <td>± 0.5°</td> </tr> <tr> <td>XX.X ± 0.5mm</td> <td>X.XX ± 0.04</td> <td>FRACTIONS ± 1/64</td> </tr> <tr> <td></td> <td>X.XXX ± 0.02</td> <td></td> </tr> </table>	MILLIMETERS DECIMALS	INCHES DECIMALS	ANGLES	XX ± 1.0mm	X.X ± 0.1	± 0.5°	XX.X ± 0.5mm	X.XX ± 0.04	FRACTIONS ± 1/64		X.XXX ± 0.02		MECH. ENG. NMT	2021-02-08	ELEC. ENG.
MILLIMETERS DECIMALS	INCHES DECIMALS	ANGLES													
XX ± 1.0mm	X.X ± 0.1	± 0.5°													
XX.X ± 0.5mm	X.XX ± 0.04	FRACTIONS ± 1/64													
	X.XXX ± 0.02														
THIRD ANGLE PROJECTION	SALES: MD	2021-02-09	TEST ENG.												
	Electronically Controlled Use Latest Copy		SALES: MD												

12 LED, SURFACE MNT, DUAL, 12-24VDC	
CUSTOMER PART NO. SEE CHART	PRODUCT SERIES: ED3755
SIZE: B	DWG. NO. ED3755XX
SHEET 1 OF 1	Project: C14031
Date Created: 2019-02-20	REV. B