



Installation and Operation Instructions

ED3702 Tri-Color Light

Available in various color combinations, the ED3702 Directional LED is surface mount, Tri-Color warning light is ideal for a wide variety of auxiliary warning applications. Featuring a linear optic, 18 high intensity LEDs (6 per color). 24 flash patterns in multiple color modes, synchronization capability and an aluminum housing with encapsulated electronics, the ED3702 is an extremely bright versatile and robust light. Each LED color can be controlled independently.



WARNING!

Failure to install or use this product according to manufacturers recommendations may result in property damage, serious injury, and/or death to those you are seeking to protect!



Do not install and/or operate this safety product unless you have read and understand the safety information contained in this manual.

1. Proper installation combined with operator training in the use, care, and maintenance of emergency warning devices are essential to ensure the safety of you and those you are seeking to protect.
2. Exercise caution when working with live electrical connections.
3. This product must be properly grounded. Inadequate grounding and/or shorting of electrical connections can cause high current arcing, which can cause personal injury and/or severe vehicle damage, including fire.
4. Proper placement and installation are vital to the performance of this warning device. Install this product so that output performance of the system is maximized and the controls are placed within convenient reach of the operator so that s/he can operate the system without losing eye contact with the roadway.
5. Do not install this product or route any wires in the deployment area of an air bag. Equipment mounted or located in an air bag deployment area may reduce the effectiveness of the air bag or become a projectile that could cause serious personal injury or death. Refer to the vehicle owner's manual for the air bag deployment area. It is the responsibility of the user/operator to determine a suitable mounting location ensuring the safety of all passengers inside the vehicle particularly avoiding areas of potential head impact.
6. It is the responsibility of the vehicle operator to ensure during use that all features of this product work correctly. In use, the vehicle operator should ensure the projection of the warning signal is not blocked by vehicle components (i.e., open trunks or compartment doors), people, vehicles or other obstructions.
7. The use of this or any other warning device does not ensure all drivers can or will observe or react to a warning signal. Never take the right-of-way for granted. It is your responsibility to be sure you can proceed safely before entering an intersection, driving against traffic, responding at a high rate of speed, or walking on or around traffic lanes.
8. This equipment is intended for use by authorized personnel only. The user is responsible for understanding and obeying all laws regarding warning signal devices. Therefore, the user should check all applicable city, state, and federal laws and regulations. The manufacturer assumes no liability for any loss resulting from the use of this warning device.

CONTENTS:

1	Light Head
1	Multi-Mount Base: Includes- 2- M4x25 Sheet metal screws

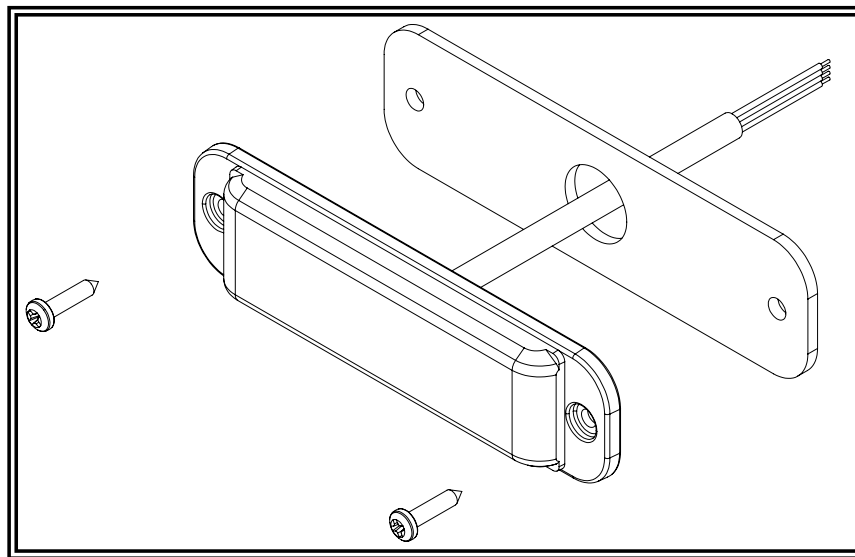
SPECIFICATIONS:

Input Voltage	10-30VDC
Work Current	0.8A Max @ DC12V

Important! This unit is a safety device and it must be connected to its own separate, fused power point to assure its continued operation should any other electrical accessory fail.

Caution: When drilling into any vehicle surface, make sure the area is free from any electrical wires, fuel lines, vehicle upholstery, etc. that could be damaged

Mounting:



Color Switch:

Apply Green to Black wire:	
MODE1	Color1
MODE2	Color2
MODE3	Color3
MODE4	Color 1&2
MODE5	Color 1&3
MODE6	Color 2&3
MODE7	Color 1&2&3

Phase Operation:

Phase 1 (Ph1) flashes simultaneously with Ph1
 Phase 2 (Ph2) flashes simultaneously with Ph2
 Ph1 alternates with Ph2
 (Up to 8 units can be synchronized)

Apply Blue to Black wire:	
PUSH TIMES	FUNCTION
0 - 1 sec.	Next Pattern
1 - 3 sec.	Previous Pattern
3 - 5 sec.	Factory Default Pattern
5 - sec.	Last Pattern

Operation Environment:

Ambient Temperature: -30°C to 50°C

ED3702 Tri-Color Flash Pattern Chart (Continued)

Group 1(Red line)							Group 2(White line)							Group 3(Red & White line)							FLASH PATTERN	SYNC	SAE J595				CAT13			ECE R65			
Mode 1 Color 1	Mode 2 Color 2	Mode 3 Color 3	Mode 4 Color 1&2	Mode 5 Color 1&3	Mode 6 Color 2&3	Mode 7 Color 1&2&3	Mode 1 Color 1	Mode 2 Color 2	Mode 3 Color 3	Mode 4 Color 1&2	Mode 5 Color 1&3	Mode 6 Color 2&3	Mode 7 Color 1&2&3	Mode 1 Color 1	Mode 2 Color 2	Mode 3 Color 3	Mode 4 Color 1&2	Mode 5 Color 1&3	Mode 6 Color 2&3	Mode 7 Color 1&2&3			RED	AMB	BLU	WHT	RED	AMB	BLU	RED	AMB	BLU	
	5							5							5									Single 375FPM Ph1 Color 2	yes	N/C	N/C	N/C	N/C	N/C	N/C	N/C	N/C
	6							6							6							Single 375FPM Ph2 Color 2	yes	N/C	N/C	N/C	N/C	N/C	N/C	N/C	N/C	N/C	N/C
		5							5							5						Single 375FPM Ph1 Color 3	yes	N/C	N/C	N/C	N/C	N/C	N/C	N/C	N/C	N/C	N/C
		6							6							6						Single 375FPM Ph2 Color 3	yes	N/C	N/C	N/C	N/C	N/C	N/C	N/C	N/C	N/C	N/C
			5							5							5					Single 375FPM Ph1 Color 1 Alt Color 2	yes	N/C	N/C	N/C	N/C	N/C	N/C	N/C	N/C	N/C	N/C
			6							6							6					Single 375FPM Ph2 Color 1 Alt Color 2	yes	N/C	N/C	N/C	N/C	N/C	N/C	N/C	N/C	N/C	N/C
				5							5							5				Single 375FPM Ph1 Color 1 Alt Color 3	yes	N/C	N/C	N/C	N/C	N/C	N/C	N/C	N/C	N/C	N/C
				6							6							6				Single 375FPM Ph2 Color 1 Alt Color 3	yes	N/C	N/C	N/C	N/C	N/C	N/C	N/C	N/C	N/C	N/C
					5							5							5			Single 375FPM Ph1 Color 2 Alt Color 3	yes	N/C	N/C	N/C	N/C	N/C	N/C	N/C	N/C	N/C	N/C
					6							6							6			Single 375FPM Ph2 Color 2 Alt Color 3	yes	N/C	N/C	N/C	N/C	N/C	N/C	N/C	N/C	N/C	N/C
						5							5							5		Single 375FPM Ph1 Color 1 Alt Color 2 Alt Color 3	yes	N/C	N/C	N/C	N/C	N/C	N/C	N/C	N/C	N/C	N/C
						6							6							6		Single 375FPM Ph2 Color 1 Alt Color 2 Alt Color 3	yes	N/C	N/C	N/C	N/C	N/C	N/C	N/C	N/C	N/C	N/C
7								7							7							Double 75FPM Ph1 Color 1	yes	CLS 1	CLS 1	CLS 1	CLS 2	N/C	N/C	N/C	N/C	N/C	N/C
8								8							8							Double 75FPM Ph2 Color 1	yes	CLS 1	CLS 1	CLS 1	CLS 2	N/C	N/C	N/C	N/C	N/C	N/C
	7								7							7						Double 75FPM Ph1 Color 2	yes	CLS 1	CLS 1	CLS 1	CLS 2	N/C	N/C	N/C	N/C	N/C	N/C
	8								8							8						Double 75FPM Ph2 Color 2	yes	CLS 1	CLS 1	CLS 1	CLS 2	N/C	N/C	N/C	N/C	N/C	N/C
		7								7							7					Double 75FPM Ph1 Color 3	yes	CLS 1	CLS 1	CLS 1	CLS 1	N/C	N/C	N/C	N/C	N/C	N/C
		8								8							8					Double 75FPM Ph2 Color 3	yes	CLS 1	CLS 1	CLS 1	CLS 1	N/C	N/C	N/C	N/C	N/C	N/C
			7								7							7				Double 75FPM Ph1 Color 1 Alt Color 2	yes	N/C	N/C	N/C	N/C	N/C	N/C	N/C	N/C	N/C	N/C
			8								8							8				Double 75FPM Ph2 Color 1 Alt Color 2	yes	N/C	N/C	N/C	N/C	N/C	N/C	N/C	N/C	N/C	N/C
				7								7							7			Double 75FPM Ph1 Color 1 Alt Color 3	yes	N/C	N/C	N/C	N/C	N/C	N/C	N/C	N/C	N/C	N/C
				8								8							8			Double 75FPM Ph2 Color 1 Alt Color 3	yes	N/C	N/C	N/C	N/C	N/C	N/C	N/C	N/C	N/C	N/C
					7								7							7		Double 75FPM Ph1 Color 2 Alt Color 3	yes	N/C	N/C	N/C	N/C	N/C	N/C	N/C	N/C	N/C	N/C
					8								8							8		Double 75FPM Ph2 Color 2 Alt Color 3	yes	N/C	N/C	N/C	N/C	N/C	N/C	N/C	N/C	N/C	N/C
						7								7							7	Double 75FPM Ph1 Color 1 Alt Color 2 Alt Color 3	yes	N/C	N/C	N/C	N/C	N/C	N/C	N/C	N/C	N/C	N/C
						8								8							8	Double 75FPM Ph2 Color 1 Alt Color 2 Alt Color 3	yes	N/C	N/C	N/C	N/C	N/C	N/C	N/C	N/C	N/C	N/C
9								9							9							Double 120FPM Ph1 Color 1	yes	CLS 1	CLS 2	CLS 1	CLS 2	N/C	N/C	N/C	CLS 1	CLS 1	CLS 1
10								10							10							Double 120FPM Ph2 Color 1	yes	CLS 1	CLS 2	CLS 1	CLS 2	N/C	N/C	N/C	CLS 1	CLS 1	CLS 1
	9								9							9						Double 120FPM Ph1 Color 2	yes	CLS 1	CLS 2	CLS 1	CLS 2	N/C	N/C	N/C	CLS 1	CLS 1	CLS 1
	10									10							10					Double 120FPM Ph2 Color 2	yes	CLS 1	CLS 2	CLS 1	CLS 2	N/C	N/C	N/C	CLS 1	CLS 1	CLS 1

ED3702 Tri-Color Flash Pattern Chart (Continued)

Group 1 (Red line)							Group 2 (White line)							Group 3 (Red & White line)							FLASH PATTERN	SYNC	SAE J595				CAT13			ECE R65								
Mode 1 Color 1	Mode 2 Color 2	Mode 3 Color 3	Mode 4 Color 1&2	Mode 5 Color 1&3	Mode 6 Color 2&3	Mode 7 Color 1&2&3	Mode 1 Color 1	Mode 2 Color 2	Mode 3 Color 3	Mode 4 Color 1&2	Mode 5 Color 1&3	Mode 6 Color 2&3	Mode 7 Color 1&2&3	Mode 1 Color 1	Mode 2 Color 2	Mode 3 Color 3	Mode 4 Color 1&2	Mode 5 Color 1&3	Mode 6 Color 2&3	Mode 7 Color 1&2&3			RED	AMB	BLU	WHT	RED	AMB	BLU	RED	AMB	BLU						
		9							9							9						Double 120FPM Ph1 Color 3	yes	CLS 1	CLS 1	CLS 1	CLS 1	N/C	N/C	N/C	CLS 1	CLS 1	CLS 1					
		10							10							10						Double 120FPM Ph2 Color 3	yes	CLS 1	CLS 1	CLS 1	CLS 1	N/C	N/C	N/C	CLS 1	CLS 1	CLS 1					
			9							9							9					Double 120FPM Ph1 Color 1 Alt Color 2	yes	N/C	N/C	N/C	N/C	N/C	N/C	N/C	N/C	N/C	N/C					
			10							10							10					Double 120FPM Ph2 Color 1 Alt Color 2	yes	N/C	N/C	N/C	N/C	N/C	N/C	N/C	N/C	N/C	N/C					
				9							9							9				Double 120FPM Ph1 Color 1 Alt Color 3	yes	N/C	N/C	N/C	N/C	N/C	N/C	N/C	N/C	N/C	N/C					
				10							10							10				Double 120FPM Ph2 Color 1 Alt Color 3	yes	N/C	N/C	N/C	N/C	N/C	N/C	N/C	N/C	N/C	N/C					
					9							9							9			Double 120FPM Ph1 Color 2 Alt Color 3	yes	N/C	N/C	N/C	N/C	N/C	N/C	N/C	N/C	N/C	N/C					
					10							10							10			Double 120FPM Ph2 Color 2 Alt Color 3	yes	N/C	N/C	N/C	N/C	N/C	N/C	N/C	N/C	N/C	N/C					
						9							9							9							Double 120FPM Ph1 Color 1 Alt Color 2 Alt Color 3	yes	N/C	N/C	N/C	N/C	N/C	N/C	N/C	N/C	N/C	
						10							10							10							Double 120FPM Ph2 Color 1 Alt Color 2 Alt Color 3	yes	N/C	N/C	N/C	N/C	N/C	N/C	N/C	N/C	N/C	
11							11							11							Triple 75FPM Ph1 Color 1	yes	CLS 1	CLS 1	CLS 1	CLS 2	CLS B	N/C	CLS B	N/C	N/C	N/C						
12							12							12							Triple 75FPM Ph2 Color 1	yes	CLS 1	CLS 1	CLS 1	CLS 2	CLS B	N/C	CLS B	N/C	N/C	N/C						
	11							11							11						Triple 75FPM Ph1 Color 2	yes	CLS 1	CLS 1	CLS 1	CLS 2	CLS B	N/C	CLS B	N/C	N/C	N/C						
	12							12							12						Triple 75FPM Ph2 Color 2	yes	CLS 1	CLS 1	CLS 1	CLS 2	CLS B	N/C	CLS B	N/C	N/C	N/C						
		11							11							11					Triple 75FPM Ph1 Color 3	yes	CLS 1	CLS 1	CLS 1	CLS 1	CLS B	CLS B	CLS B	N/C	N/C	N/C						
		12							12							12					Triple 75FPM Ph2 Color 3	yes	CLS 1	CLS 1	CLS 1	CLS 1	CLS B	CLS B	CLS B	N/C	N/C	N/C						
			11							11							11				Triple 75FPM Ph1 Color 1 Alt Color 2	yes	N/C	N/C	N/C	N/C	N/C	N/C	N/C	N/C	N/C	N/C						
			12							12							12				Triple 75FPM Ph2 Color 1 Alt Color 2	yes	N/C	N/C	N/C	N/C	N/C	N/C	N/C	N/C	N/C	N/C						
				11							11							11			Triple 75FPM Ph1 Color 1 Alt Color 3	yes	N/C	N/C	N/C	N/C	N/C	N/C	N/C	N/C	N/C	N/C						
				12							12							12			Triple 75FPM Ph2 Color 1 Alt Color 3	yes	N/C	N/C	N/C	N/C	N/C	N/C	N/C	N/C	N/C	N/C						
					11							11							11		Triple 75FPM Ph1 Color 2 Alt Color 3	yes	N/C	N/C	N/C	N/C	N/C	N/C	N/C	N/C	N/C	N/C						
					12							12							12		Triple 75FPM Ph2 Color 2 Alt Color 3	yes	N/C	N/C	N/C	N/C	N/C	N/C	N/C	N/C	N/C	N/C						
						11							11							11	Triple 75FPM Ph1 Color 1 Alt Color 2 Alt Color 3	yes	N/C	N/C	N/C	N/C	N/C	N/C	N/C	N/C	N/C	N/C						
						12							12							12	Triple 75FPM Ph2 Color 1 Alt Color 2 Alt Color 3	yes	N/C	N/C	N/C	N/C	N/C	N/C	N/C	N/C	N/C	N/C						
13							13							13							Quad 75FPM Ph1 Color 1	yes	CLS 1	CLS 2	CLS 1	CLS 2	N/C	N/C	N/C	N/C	N/C	N/C						
14							14							14							Quad 75FPM Ph2 Color 1	yes	CLS 1	CLS 2	CLS 1	CLS 2	N/C	N/C	N/C	N/C	N/C	N/C						
	13							13							13						Quad 75FPM Ph1 Color 2	yes	CLS 1	CLS 2	CLS 1	CLS 2	N/C	N/C	N/C	N/C	N/C	N/C						
	14							14							14						Quad 75FPM Ph2 Color 2	yes	CLS 1	CLS 2	CLS 1	CLS 2	N/C	N/C	N/C	N/C	N/C	N/C						
		13							13							13					Quad 75FPM Ph1 Color 3	yes	CLS 1	CLS 1	CLS 1	CLS 1	N/C	N/C	N/C	N/C	N/C	N/C						
		14							14							14					Quad 75FPM Ph2 Color 3	yes	CLS 1	CLS 1	CLS 1	CLS 1	N/C	N/C	N/C	N/C	N/C	N/C						

ED3702 Tri-Color Flash Pattern Chart (Continued)

Group 1(Red line)							Group 2(White line)							Group 3(Red & White line)							FLASH PATTERN	SYNC	SAE J595				CAT13			ECE R65						
Mode 1 Color 1	Mode 2 Color 2	Mode 3 Color 3	Mode 4 Color 1&2	Mode 5 Color 1&3	Mode 6 Color 2&3	Mode 7 Color 1&2&3	Mode 1 Color 1	Mode 2 Color 2	Mode 3 Color 3	Mode 4 Color 1&2	Mode 5 Color 1&3	Mode 6 Color 2&3	Mode 7 Color 1&2&3	Mode 1 Color 1	Mode 2 Color 2	Mode 3 Color 3	Mode 4 Color 1&2	Mode 5 Color 1&3	Mode 6 Color 2&3	Mode 7 Color 1&2&3			RED	AMB	BLU	WHT	RED	AMB	BLU	RED	AMB	BLU				
			13							13																Quad 75FPM Ph1 Color 1 Alt Color 2	yes	N/C	N/C	N/C	N/C	N/C	N/C	N/C	N/C	N/C
			14							14														Quad 75FPM Ph2 Color 1 Alt Color 2	yes	N/C	N/C	N/C	N/C	N/C	N/C	N/C	N/C	N/C	N/C	N/C
				13							13													Quad 75FPM Ph1 Color 1 Alt Color 3	yes	N/C	N/C	N/C	N/C	N/C	N/C	N/C	N/C	N/C	N/C	N/C
				14							14													Quad 75FPM Ph2 Color 1 Alt Color 3	yes	N/C	N/C	N/C	N/C	N/C	N/C	N/C	N/C	N/C	N/C	N/C
					13							13												Quad 75FPM Ph1 Color 2 Alt Color 3	yes	N/C	N/C	N/C	N/C	N/C	N/C	N/C	N/C	N/C	N/C	N/C
					14								14											Quad 75FPM Ph2 Color 2 Alt Color 3	yes	N/C	N/C	N/C	N/C	N/C	N/C	N/C	N/C	N/C	N/C	N/C
						13							13											Quad 75FPM Ph1 Color 1 Alt Color 2 Alt Color 3	yes	N/C	N/C	N/C	N/C	N/C	N/C	N/C	N/C	N/C	N/C	N/C
						14							14											Quad 75FPM Ph2 Color 1 Alt Color 2 Alt Color 3	yes	N/C	N/C	N/C	N/C	N/C	N/C	N/C	N/C	N/C	N/C	N/C
15							15							15										Quad 150FPM Ph1 Color 1	yes	CLS 1	CLS 2	CLS 1	CLS 2	N/C	N/C	N/C	CLS 1	CLS 1	CLS 1	CLS 1
16							16							16										Quad 150FPM Ph2 Color 1	yes	CLS 1	CLS 2	CLS 1	CLS 2	N/C	N/C	N/C	CLS 1	CLS 1	CLS 1	CLS 1
	15							15							15									Quad 150FPM Ph1 Color 2	yes	CLS 1	CLS 2	CLS 1	CLS 2	N/C	N/C	N/C	CLS 1	CLS 1	CLS 1	CLS 1
	16							16							16									Quad 150FPM Ph2 Color 2	yes	CLS 1	CLS 2	CLS 1	CLS 2	N/C	N/C	N/C	CLS 1	CLS 1	CLS 1	CLS 1
		15								15						15								Quad 150FPM Ph1 Color 3	yes	CLS 1	CLS 1	CLS 1	CLS 1	N/C	N/C	N/C	CLS 1	CLS 1	CLS 1	CLS 1
		16								16						16								Quad 150FPM Ph2 Color 3	yes	CLS 1	CLS 1	CLS 1	CLS 1	N/C	N/C	N/C	CLS 1	CLS 1	CLS 1	CLS 1
			15								15						15							Quad 150FPM Ph1 Color 1 Alt Color 2	yes	N/C	N/C	N/C	N/C	N/C	N/C	N/C	N/C	N/C	N/C	N/C
			16									16						16						Quad 150FPM Ph2 Color 1 Alt Color 2	yes	N/C	N/C	N/C	N/C	N/C	N/C	N/C	N/C	N/C	N/C	N/C
				15							15							15						Quad 150FPM Ph1 Color 1 Alt Color 3	yes	N/C	N/C	N/C	N/C	N/C	N/C	N/C	N/C	N/C	N/C	N/C
				16								16							16					Quad 150FPM Ph2 Color 1 Alt Color 3	yes	N/C	N/C	N/C	N/C	N/C	N/C	N/C	N/C	N/C	N/C	N/C
					15							15								15				Quad 150FPM Ph1 Color 2 Alt Color 3	yes	N/C	N/C	N/C	N/C	N/C	N/C	N/C	N/C	N/C	N/C	N/C
					16								16								16			Quad 150FPM Ph2 Color 2 Alt Color 3	yes	N/C	N/C	N/C	N/C	N/C	N/C	N/C	N/C	N/C	N/C	N/C
						15							15								15			Quad 150FPM Ph1 Color 1 Alt Color 2 Alt Color 3	yes	N/C	N/C	N/C	N/C	N/C	N/C	N/C	N/C	N/C	N/C	N/C
						16							16								16			Quad 150FPM Ph2 Color 1 Alt Color 2 Alt Color 3	yes	N/C	N/C	N/C	N/C	N/C	N/C	N/C	N/C	N/C	N/C	N/C
17							17							17										CAT13 Single Flash 75FPM Color 1	no	CLS 1	CLS 1	CLS 1	CLS 1	CLS B	N/C	CLS B	N/C	N/C	N/C	N/C
	17							17							17									CAT13 Single Flash 75FPM Color 2	no	CLS 1	CLS 1	CLS 1	CLS 1	CLS B	N/C	CLS B	N/C	N/C	N/C	N/C
		17							17							17								CAT13 Single Flash 75FPM Color 3	no	CLS 1	CLS 1	CLS 1	CLS 1	CLS B	CLS B	CLS B	N/C	N/C	N/C	N/C
18							18							18										CAT13 Double Flash 75FPM Color 1	no	CLS 1	CLS 1	CLS 1	CLS 1	CLS B	N/C	CLS B	N/C	N/C	N/C	N/C
	18							18							18									CAT13 Double Flash 75FPM Color 2	no	CLS 1	CLS 1	CLS 1	CLS 1	CLS B	N/C	CLS B	N/C	N/C	N/C	N/C
		18							18							18								CAT13 Double Flash 75FPM Color 3	no	CLS 1	CLS 1	CLS 1	CLS 1	CLS B	CLS B	CLS B	N/C	N/C	N/C	N/C
19							19							19										NFPA-Quad Flash 75FPM Color 1	no	CLS 1	CLS 1	CLS 1	CLS 1	CLS B	N/C	CLS B	N/C	N/C	N/C	N/C
	19							19							19									NFPA-Quad Flash 75FPM Color 2	no	CLS 1	CLS 1	CLS 1	CLS 1	CLS B	N/C	CLS B	N/C	N/C	N/C	N/C

ED3702 Tri-Color Flash Pattern Chart (Continued)

Group 1 (Red line)							Group 2 (White line)							Group 3 (Red & White line)							FLASH PATTERN	SYNC	SAE J595				CA T13			ECE R65		
Mode 1 Color 1	Mode 2 Color 2	Mode 3 Color 3	Mode 4 Color 1&2	Mode 5 Color 1&3	Mode 6 Color 2&3	Mode 7 Color 1&2&3	Mode 1 Color 1	Mode 2 Color 2	Mode 3 Color 3	Mode 4 Color 1&2	Mode 5 Color 1&3	Mode 6 Color 2&3	Mode 7 Color 1&2&3	Mode 1 Color 1	Mode 2 Color 2	Mode 3 Color 3	Mode 4 Color 1&2	Mode 5 Color 1&3	Mode 6 Color 2&3	Mode 7 Color 1&2&3			RED	AMB	BLU	WHT	RED	AMB	BLU	RED	AMB	BLU
		19							19							19							NFPA-Quad Flash 75FPM Color 3	no	CLS 1	CLS 1	CLS 1	CLS 1	CLS B	CLS B	CLS B	N/C
20							20							20							ModuFlash sim. Color 1	no	N/C	N/C	N/C	N/C	N/C	N/C	N/C	N/C	N/C	N/C
	20							20							20						ModuFlash sim. Color 2	no	N/C	N/C	N/C	N/C	N/C	N/C	N/C	N/C	N/C	N/C
		20							20							20					ModuFlash sim. Color 3	no	N/C	N/C	N/C	N/C	N/C	N/C	N/C	N/C	N/C	N/C
21							21							21							2 Double Flash,2 Quad Flash Color 1	no	N/C	N/C	N/C	N/C	N/C	N/C	N/C	N/C	N/C	N/C
	21							21							21						2 Double Flash,2 Quad Flash Color 2	no	N/C	N/C	N/C	N/C	N/C	N/C	N/C	N/C	N/C	N/C
		21							21							21					2 Double Flash,2 Quad Flash Color 3	no	N/C	N/C	N/C	N/C	N/C	N/C	N/C	N/C	N/C	N/C
22							22							22							4 Single Flash ,2 Triple Flash Color 1	no	N/C	N/C	N/C	N/C	N/C	N/C	N/C	N/C	N/C	N/C
	22							22							22						4 Single Flash ,2 Triple Flash Color 2	no	N/C	N/C	N/C	N/C	N/C	N/C	N/C	N/C	N/C	N/C
		22							22							22					4 Single Flash ,2 Triple Flash Color 3	no	N/C	N/C	N/C	N/C	N/C	N/C	N/C	N/C	N/C	N/C
23							23							23							Autorun Color 1	no	N/C	N/C	N/C	N/C	N/C	N/C	N/C	N/C	N/C	N/C
	23							23							23						Autorun Color 2	no	N/C	N/C	N/C	N/C	N/C	N/C	N/C	N/C	N/C	N/C
		23							23							23					Autorun Color 3	no	N/C	N/C	N/C	N/C	N/C	N/C	N/C	N/C	N/C	N/C
24							24							24							Steady Burn Color 1	no	N/C	N/C	N/C	N/C	N/C	N/C	N/C	N/C	N/C	N/C
	24							24							24						Steady Burn Color 2	no	N/C	N/C	N/C	N/C	N/C	N/C	N/C	N/C	N/C	N/C
		24							24							24					Steady Burn Color 3	no	N/C	N/C	N/C	N/C	N/C	N/C	N/C	N/C	N/C	N/C

Wire Funtion	
WIRE	FUNTION
RED	Group 1 to Positive
WHITE	Group 2 to Positive
RED & WHITE	Group 3 to Positive
BLACK	Negative
BLUE	Pattern Select to Negative
YELLOW	Synchronized Function
GREEN	Mode Select to Negative

Troubleshooting

The ED3702 Tri-Color series has been factory tested and approved. If the functions of the device fail, please check the following:

1. After connecting with the power supply, be sure that the power source end is joined correctly. Make sure there is not a short circuit.
2. Plug in the device; ensure the LED power switch is on.
3. Make sure unit is grounded properly.