

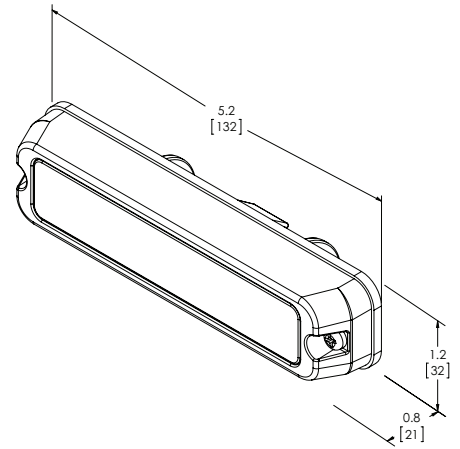


BEACONS | MINIBARS | LIGHTBARS | WORKLAMPS | UTILITY BARS | INTERIOR LIGHTING | BACK-UP ALARMS | CAMERA SYSTEMS

DIRECTIONALS

ED3712 Series SAE Class I Dual-Color or Tri-Color Multi-Mount

The ED3712 series directional is a low profile LED. This warning light offers the flexibility of two or three different color outputs within a single unit, comprised of high intensity LEDs, six of each color. Ideal for a wide variety of applications, the ED3712 offers the flexibility of four mounting options: surface mount, tilt bracket, self-adhesive mount, and edge mount (all necessary hardware is included with each light). Featuring 12 (dual-color) or 24 (tri-color) flash patterns and synchronization capability, this super bright LED is designed for maximum light output at all angles. Each model can be programmed to flash each color option individually or alternately.



Models

PART NO.	COLORS	VDC	AMPS
ED3712AB	Amber/Blue	12-24	0.6
ED3712AC	Amber/Clear	12-24	0.6
ED3712AG	Amber/Green	12-24	0.6
ED3712AR	Amber/Red	12-24	0.6
ED3712BC	Blue/Clear	12-24	0.6
ED3712RB	Red/Blue	12-24	0.6
ED3712RC	Red/Clear	12-24	0.6
ED3712BAW	Blue/Amber/White	12-24	0.8
ED3712RAW	Red/Amber/White	12-24	0.8
ED3712RBA	Red/Blue/Amber	12-24	0.8
ED3712RBW	Red/Blue/White	12-24	0.8
ED3712AGW	Amber/Green/White	12-24	0.8

3712XX	3712XXX
12 high intensity LEDs	18 high intensity LEDs
Dual-color warning	Tri-color warning
12 flash patterns	24 flash patterns
6 LEDs per color	
Low profile	
Synchronizable	
Aluminum housing, polycarbonate lens	
Four mounting options (hardware included)	
SAE J595 Class I	
California Title 13, R65, R10	
Temperature Range: -22°F to +122°F (-30°C to +50°C)	
Warranty: 3 years	

Mounting Options



Shop for other accessory lighting on our website.