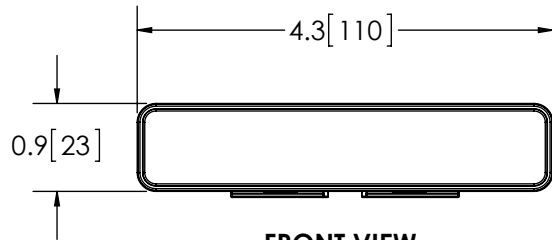
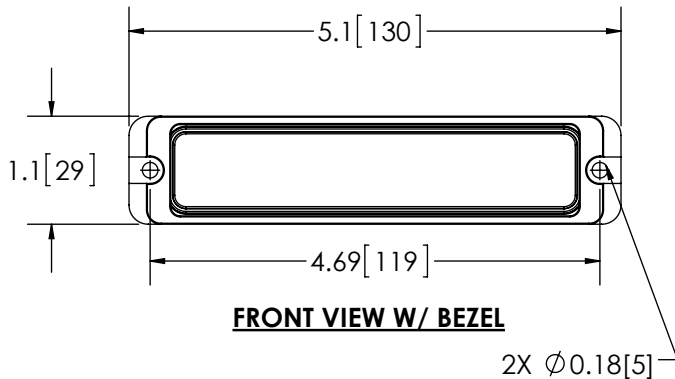


TOP VIEW W/ BRACKET



FRONT VIEW



FRONT VIEW W/ BEZEL

2X Ø0.18[5]

NOTES:
1. DIMENSIONS IN INCHES [MILLIMETERS (FOR REFERENCE)]

REVISION HISTORY

REV.	DESCRIPTION	DATE
03	REVISED PER LM14253	2015-05-15
A	INITIAL RELEASE PER LM14253	2015-06-05
B	REVISE PER LM14253	2015-10-09

SPECIFICATIONS

- CERTIFICATIONS: ECE R10; SAE J595 (NOV 2011) CLASS 1; CA Title 13 CLASS B; Reg 65
Note: Unique components, accessories, and hardware kits are not typically included in the Product Certification Test Protocols. Unless otherwise Specified, the Product Certifications referred to herein are predicated upon the base product model configuration.
- FLASH MODE: SINGLE : 75 ± 5 FLASHES PER MINUTE
SINGLE : 120 ± 5 FLASHES PER MINUTE
DOUBLE : 75 ± 5 FLASHES PER MINUTE
- VOLTAGE (NOMINAL): 12 to 24 VDC
- VOLTAGE (EXTREME): 9.0 to 32.0 VDC
- CURRENT (PEAK): 1.25A (@ 12 VDC NOMINAL)
- POWER (MAXIMUM): 16.0W (@ 12 VDC NOMINAL)
- TEMPERATURE RANGE: -22°F (-30°C) TO 122°F (50°C)
- CONNECTION: 5 - 22 AWG WIRES
- MOUNTING: 2-BOLT
- BASE MATERIAL: ALUMINUM
- LENS MATERIAL: POLYCARBONATE
- PRODUCT WEIGHT: 0.2 LBS (0.09 Kg)

FGS PRODUCT CHART

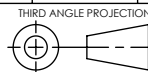
FGS P/N	COLOR	SAE J595	CAT13	ECE R65
ED3712AB	AMB/BLUE	CLASS I; AMB & BLU	CLASS B; AMB & BLU	CLASS I; AMB & BLU
ED3712AC	AMB/CLR	CLASS I; AMB & CLR	CLASS B; AMBER	CLASS I; AMBER
ED3712AG	AMB/GRN	CLASS I; AMBER	CLASS B; AMBER	CLASS I; AMBER
ED3712AR	AMB/RED	CLASS I; AMB & RED	CLASS B; AMB & RED	CLASS I; AMB & RED
ED3712BC	BLUE/CLR	CLASS I; BLUE & CLR	CLASS B; BLUE	CLASS I; BLUE
ED3712RB	RED/BLUE	CLASS I; RED & BLU	CLASS B; RED & BLU	CLASS I; RED & BLU
ED3712RC	RED/CLR	CLASS I; RED & CLR	CLASS B; RED	CLASS I; RED

SCALE 1:2		APPROVALS	DATE
CAD GENERATED DRAWING DO NOT MANUALLY UPDATE. MODEL REFERENCED: A		DRAWN BY JDT	2015-09-16
		CHECKED ABB	2015-09-18
TOLERANCES ARE IN INCHES AND MILLIMETERS TOLERANCES UNLESS OTHERWISE STATED ARE:		MECH. ENG. JLA	2015-09-17
		ELEC. ENG. SPO	2015-09-18
MILLIMETERS DECIMALS XX. ± 1.0mm XX.X ± 0.5mm	INCHES DECIMALS X.X ± 0.1 X.XX ± 0.04 X.XXX ± 0.02	ANGLES ± 0.5° FRACTIONS ± 1/64	TEST ENG. JRT 2015-09-17
		SALES. GLB	2015-09-23



12 LED HEAD, MULTIMOUNT, 12-24V

CUSTOMER PART NO. SEE CHART		PRODUCT SERIES: ED3712	
SIZE: A	DWG. NO. ED3712XX	REV. B	
SHEET 1 OF 1		Project: LM14253	Date Created: 2015-04-30



NON DISCLOSURE AGREEMENT
THIS DRAWING AND THE DESIGN IT DISCLOSES ARE THE PRIVATE PROPERTY OF ESG AND IS ISSUED IN CONFIDENCE FOR ENGINEERING INFORMATION ONLY. THE DRAWING AND / OR DESIGN MAY NOT BE USED, COPIED, REPRODUCED, OR OTHERWISE DISCLOSED IN PART OR AS A WHOLE TO OUTSIDERS OR USED FOR ANY OTHER PURPOSE WITHOUT THE PRIOR WRITTEN CONSENT OF ESG. THE DRAWING IS SUBJECT TO RECALL AT ANY TIME. YOUR POSSESSION OF THIS DOCUMENT CONSTITUTES ACCEPTANCE OF THESE TERMS. © 2015 ECCO