



BEACONS | MINIBARS | LIGHTBARS | WORKLAMPS | UTILITY BARS | INTERIOR LIGHTING | BACK-UP ALARMS | CAMERA SYSTEMS

DIRECTIONALS

ED3712 SAE Class I Dual-Color Multi-Mount

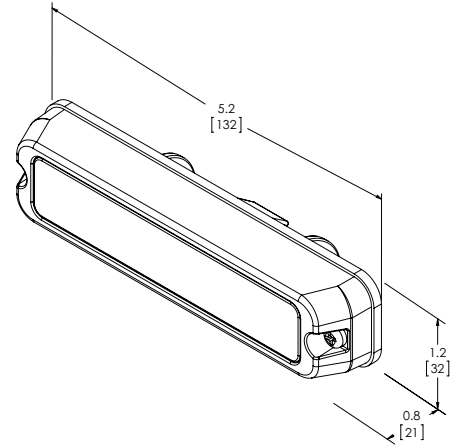
The ED3712 series is an ultra thin, [low profile LED](#). This dual color directional LED warning light offers the flexibility of two different color outputs within a single unit, comprised of 12 high intensity LEDs, six of each color. Ideal for a wide variety of applications, the ED3712 offers the flexibility of four mounting options: surface mount, tilt bracket, self-adhesive mount, and edge mount (all necessary hardware is included with each light). Featuring 12 flash patterns and synchronization capability, this super bright LED is designed for maximum light output at all angles. Each model can be programmed to flash either color option individually or alternate colors.

Models

PART NO.	COLORS	VDC
ED3712AB	Amber/Blue	12-24
ED3712AC	Amber/Clear	12-24
ED3712AG	Amber/Green	12-24
ED3712AR	Amber/Red	12-24
ED3712BC	Blue/Clear	12-24
ED3712RB	Red/Blue	12-24
ED3712RC	Red/Clear	12-24

Features and Benefits

- 12 high-intensity LEDs provide exceptional warning
- Six LEDs per color
- 12 flash patterns with 62 modes
- Synchronizable
- Aluminum housing, polycarbonate lens
- Four mounting options (hardware included)
- SAE J595 Class I
- California Title 13, R65, R10
- Temperature Range: -22°F to +122°F (-30°C to +50°C)
- Warranty: 3 years



Flash Patterns (12)

- Single (default)
- Fast Single
- Double
- Fast Double
- Quad
- Fast Quad
- Triple
- Steady Burn
- Modulation
- 2 Double, 2 Quad, Alt
- 4 Single, 2 Triple, Alt
- 1 Double, 1 Triple, 1 Quad

