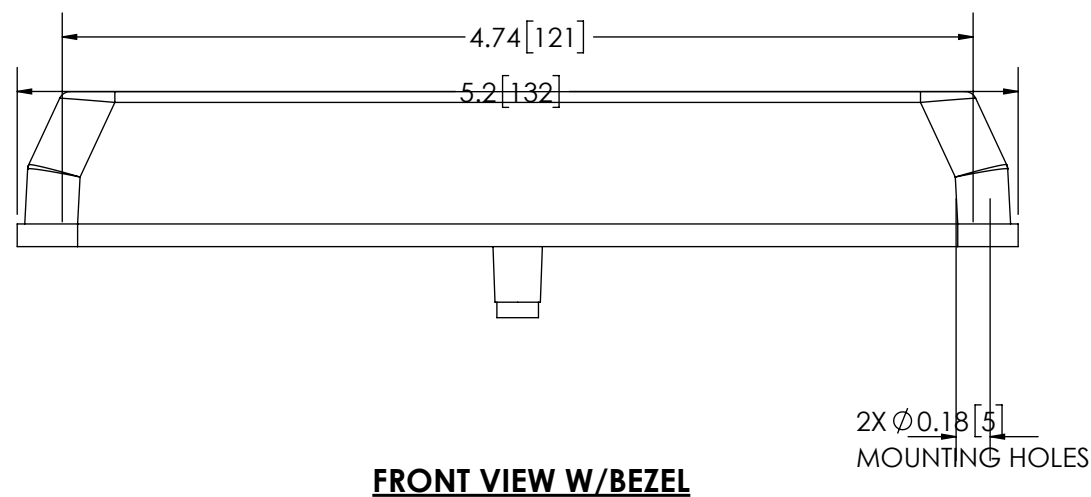
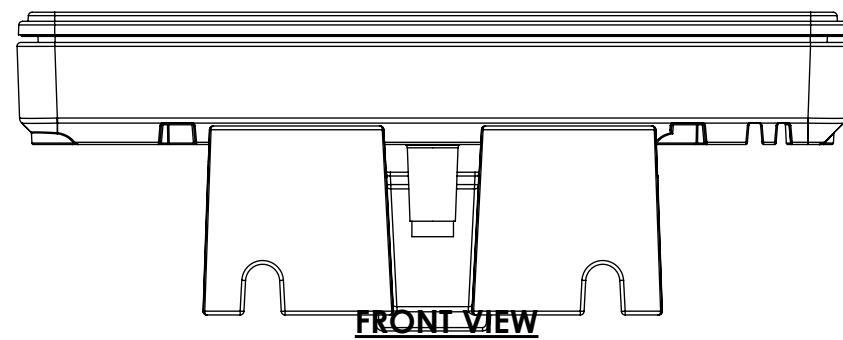
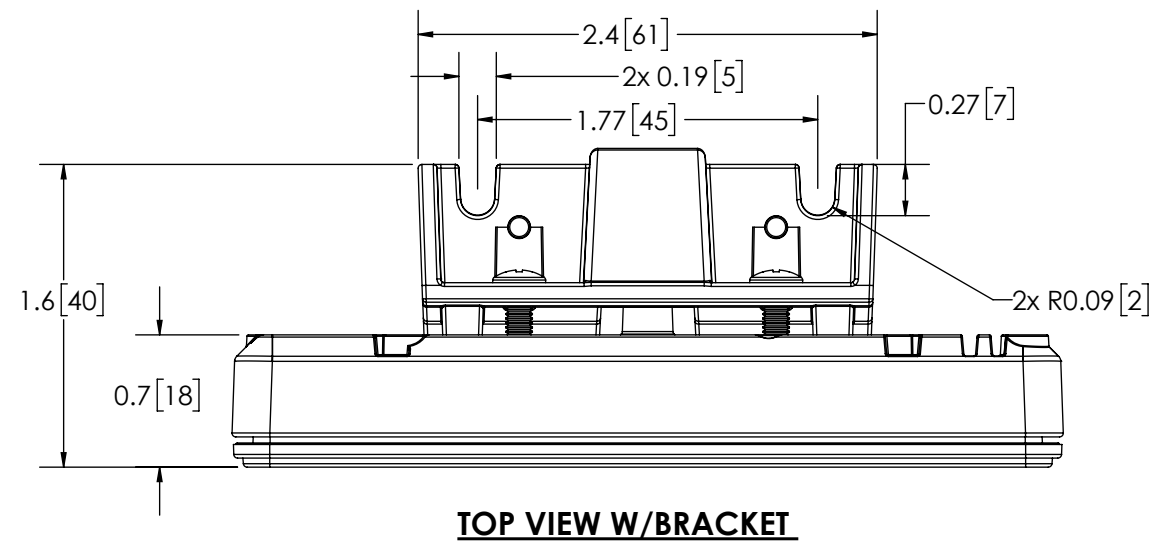


REVISION HISTORY		
REV.	DESCRIPTION	DATE
09	REVISED PER LM14213	2014-11-06
A	INITIAL RELEASE PER LM14213	2014-11-11
B	REVISED PER EP0152	2022-05-23



### SPECIFICATIONS

- CERTIFICATIONS: CE; ECE R10; SAE (SEE CHART) ; CA Title 13 (SEE CHART) ; ; Reg 65 CertE6 XA1 000092 (SEE CHART); IP67  
 Note: Unique components, accessories, and hardware kits are not typically included in the Product Certification Test Protocols. Unless otherwise Specified, the Product Certifications referred to herein are predicated upon the base product model configuration.
- FLASH MODE: SINGLE : 75 ± 5 FLASHES PER MINUTE  
 SINGLE : 120 ± 5 FLASHES PER MINUTE  
 DOUBLE : 75 ± 5 FLASHES PER MINUTE
- VOLTAGE (NOMINAL): 12-24 VDC
- VOLTAGE (EXTREME): 9-32 VDC
- CURRENT (PEAK): 0.8A (@ 12 VDC NOMINAL)
- POWER (MAXIMUM): 10.6W (@ 12 VDC NOMINAL)
- TEMPERATURE RANGE: -40°F (-40°C) TO 149°F (65°C)
- CONNECTION: 4-22 AWG WIRES
- MOUNTING: 2-BOLT
- BASE MATERIAL: ALUMINUM
- LENS MATERIAL: POLYCARBONATE
- PRODUCT WEIGHT: 0.2 LBS (0.09 Kg)

FGS. PRODUCT CHART				
FGS. NO.	COLOR	J595 (NOV 2008)	TITLE 13	ECE R65
ED3706A	AMBER	CLASS 1	CLASS B	CLASS 1
ED3706B	BLUE	CLASS 1	CLASS B	CLASS1
ED3706C	CLEAR	CLASS1	-	-
ED3706G	GREEN	-	-	-
ED3706R	RED	CLASS 1	CLASS B	-

- NOTES:  
 1. ROHS COMPLIANT  
 2. DIMENSIONS IN INCHES[MILLIMETERS (FOR REFERENCE)]

PROPRIETARY AND CONFIDENTIAL INFORMATION

THIS DRAWING AND THE DESIGN AND OTHER INFORMATION DISCLOSED HEREIN ARE THE PROPERTY OF ELECTRONIC CONTROLS COMPANY AND/OR ITS ECCO SAFETY GROUP AFFILIATES ("ECCO") AND IS ISSUED IN CONFIDENCE TO RECIPIENT FOR ENGINEERING INFORMATION PURPOSES ONLY. THIS DRAWING AND THE DESIGN AND OTHER INFORMATION DISCLOSED HEREIN MAY NOT BE USED, COPIED, REPRODUCED OR OTHERWISE DISCLOSED IN PART OR IN WHOLE TO THIRD PARTIES OR USED FOR ANY OTHER PURPOSE WITHOUT PRIOR ECCO WRITTEN CONSENT. ECCO RESERVES ALL PATENT, COPYRIGHT, TRADEMARK AND OTHER PROPRIETARY RIGHTS TO THIS DOCUMENT, INCLUDING ALL DESIGN, MANUFACTURING, REPRODUCTION, USE AND SALES RIGHTS THEREOF. THIS DRAWING IS SUBJECT TO RECALL BY ECCO AT ANY TIME, AND YOUR POSSESSION AND/OR USE CONSTITUTES ACCEPTANCE OF THESE TERMS. ©2014 ELECTRONIC CONTROLS COMPANY

SCALE 1:1	APPROVALS	DATE												
CAD GENERATED DRAWING DO NOT MANUALLY UPDATE.	DRAWN BY ABD	2022-04-18												
	CHECKED BTK	2022-04-19												
TOLERANCES ARE IN INCHES, AND MILLIMETERS TOLERANCES UNLESS OTHERWISE STATED ARE:	MECH. ENG. JLA	2022-04-18	<b>6 LED, HEAD, MULTIMOUNT, 12-24V</b>											
<table border="1"> <tr> <th>MILLIMETERS DECIMALS</th> <th>INCHES DECIMALS</th> <th>ANGLES</th> </tr> <tr> <td>XX. ± 1.0mm</td> <td>X.X ± 0.1</td> <td>± 0.5°</td> </tr> <tr> <td>XX.X ± 0.5mm</td> <td>X.XX ± 0.04</td> <td>FRACTIONS ± 1/64</td> </tr> <tr> <td></td> <td>X.XXX ± 0.02</td> <td></td> </tr> </table>	MILLIMETERS DECIMALS	INCHES DECIMALS		ANGLES	XX. ± 1.0mm	X.X ± 0.1	± 0.5°	XX.X ± 0.5mm	X.XX ± 0.04	FRACTIONS ± 1/64		X.XXX ± 0.02		ELEC. ENG.
MILLIMETERS DECIMALS	INCHES DECIMALS	ANGLES												
XX. ± 1.0mm	X.X ± 0.1	± 0.5°												
XX.X ± 0.5mm	X.XX ± 0.04	FRACTIONS ± 1/64												
	X.XXX ± 0.02													
	TEST ENG. BMH	2022-05-03	CUSTOMER PART NO. <b>SEE CHART</b>											
	SALES.		SIZE: B DWG. NO. ED3706X REV. B											
THIRD ANGLE PROJECTION	Electronically Controlled Use Latest Copy		SHEET 1 OF 1 Project: LM14213 Date Created: 2014-05-27											