

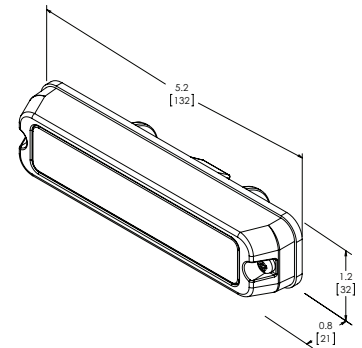


BEACONS | MINIBARS | LIGHTBARS | WORKLAMPS | UTILITY BARS | INTERIOR LIGHTING | BACK-UP ALARMS | CAMERA SYSTEMS

## DIRECTIONALS

### ED3706 SERIES SAE Class I Solid- or Split-Color Multi Mount

The ED3706 series is an ultra thin, low profile LED. Available in solid and split color, this compact LED is ideal for a wide variety of applications, offering the flexibility of four mounting options: surface mount, tilt bracket, self-adhesive mount, and edge mount (all necessary hardware is included with each light). Featuring 13 flash patterns and synchronization capability, this [super bright LED](#) is designed for maximum light output at all angles.



#### Models

PART NO.	COLORS	VDC	AMPS
ED3706A	Amber	12-24	0.9
ED3706B	Blue	12-24	0.9
ED3706C	Clear	12-24	0.9
ED3706G	Green	12-24	0.9
ED3706R	Red	12-24	0.9
ED3706AB	Amber/Blue	12-24	0.9
ED3706AC	Amber/Clear	12-24	0.9
ED3706AG	Amber/Green	12-24	0.9
ED3706AR	Amber/Red	12-24	0.9
ED3706RB	Red/Blue	12-24	0.9

#### Flash Patterns (13)

- Single
- Fast Single
- Double
- Fast Double
- Quad (default)
- Fast Quad
- Triple
- Quint
- Steady - Single
- Steady Burn
- Modulation
- 2 Double, 2 Triple, Alt
- 4 Single, 2 Quad, Alt

#### Features and Benefits

- Six high-intensity LEDs provide exceptional warning
- 13 flash patterns with 29 modes
- Synchronizable
- Aluminum housing, polycarbonate lens
- Four mounting options (hardware included)
- SAE J595 Class I
- California Title 13, R65, R10, IP67
- Temperature Range: -22°F to +122°F (-30°C to +50°C)
- Warranty: 3 years

