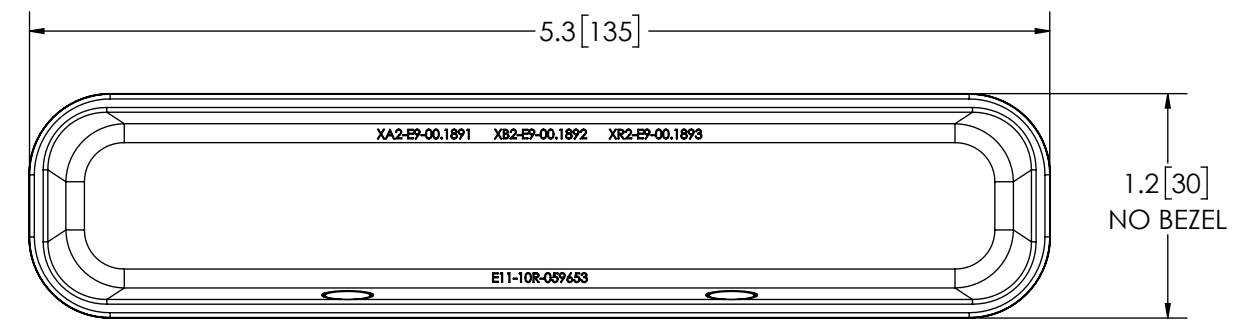
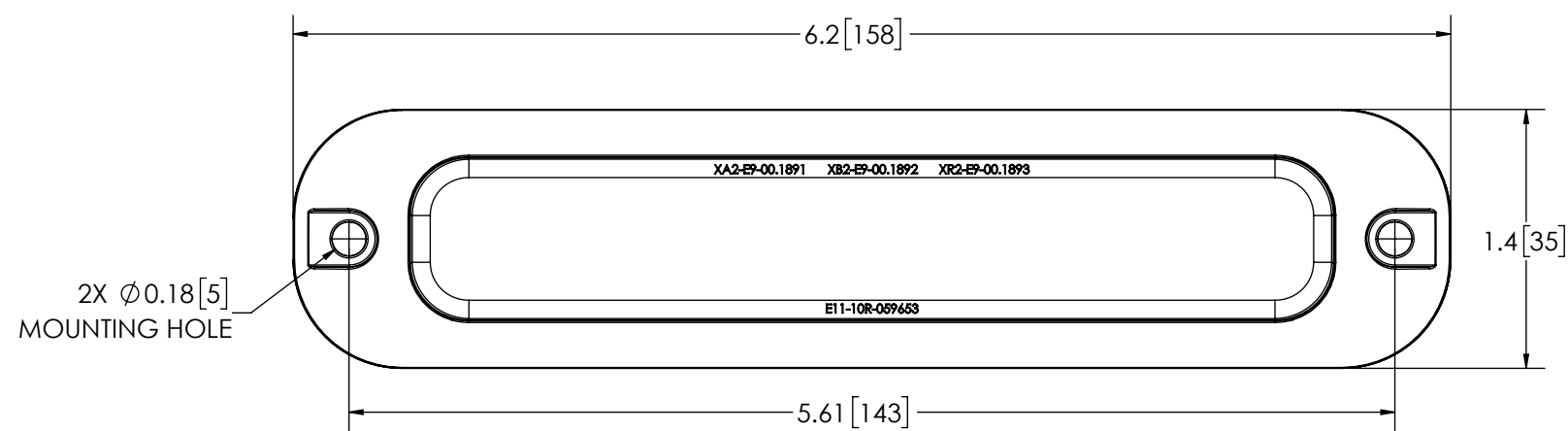
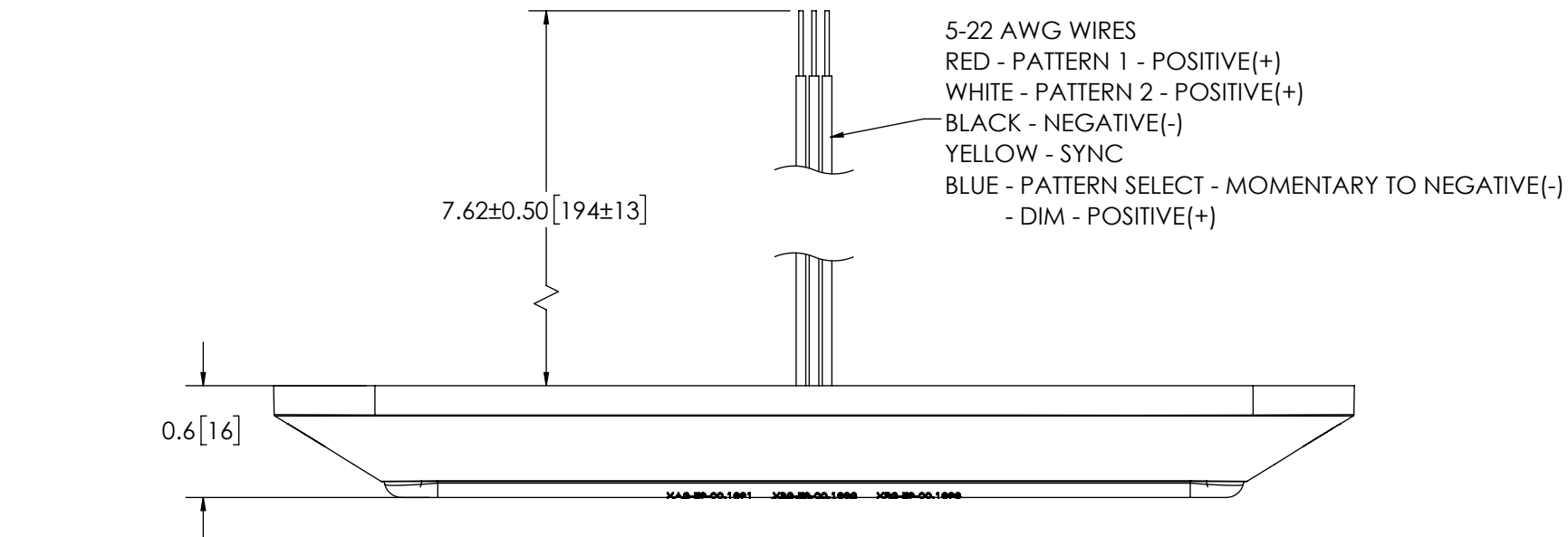


REVISION HISTORY		
REV.	DESCRIPTION	DATE
05	REVISED PER C14031	2019-04-09
A	INITIAL RELEASE PER C14031	2019-04-11
B	REVISED PER C14031	2021-01-29



### SPECIFICATIONS

- CERTIFICATIONS: IP67; REG10; SEE CHART FOR SAE J595, CA TITLE 13; NFPA  
 Note: Unique components, accessories, and hardware kits are not typically included in the Product Certification Test Protocols. Unless otherwise Specified, the Product Certifications referred to herein are predicated upon the base product model configuration.
- FLASH MODE: CYCLE: N/A FLASHES PER MINUTE  
 SINGLE: 75 ± 5 FLASHES PER MINUTE  
 SINGLE: 120 ± 5 FLASHES PER MINUTE
- VOLTAGE (NOMINAL): 12-24 VDC
- VOLTAGE (EXTREME): 9-32 VDC
- CURRENT (PEAK): SEE CHART
- POWER (MAXIMUM): SEE CHART
- TEMPERATURE RANGE: -40°F (-40°C) TO 149°F (65°C)
- CONNECTION: 5 - 22 AWG WIRES
- MOUNTING: 2 BOLT
- BASE MATERIAL: POLYCARBONATE
- LENS MATERIAL: POLYCARBONATE
- PRODUCT WEIGHT: 0.18 LBS (0.08 Kg)

FGS PRODUCT CHART					
FGS. NO.	COLOR	CURRENT (PEAK) @ 12VDC NOMINAL	POWER (MAX) @ 12VDC NOMINAL	SAE J595	CA TITLE 13
ED3705AC	AMB/WHT	0.80 A	11.0 W	CLASS 1	CLASS B (AMB ONLY)
ED3705AB	AMB/BLU	0.80 A	10.8 W	CLASS 1	CLASS B
ED3705BC	BLU/WHT	0.80 A	11.0 W	CLASS 1	CLASS B (BLU ONLY)
ED3705AR	AMB/RED	0.80 A	10.8 W	CLASS 1	CLASS B
ED3705RB	RED/BLU	0.80 A	10.1 W	CLASS 1	CLASS B
ED3705RC	RED/WHT	0.86 A	11.0 W	CLASS 1	CLASS B (RED ONLY)

- NOTES:
- ROHS COMPLIANT
  - DIMENSIONS IN INCHES[MILLIMETERS (FOR REFERENCE)]

PROPRIETARY AND CONFIDENTIAL INFORMATION  
 THIS DRAWING AND THE DESIGN AND OTHER INFORMATION DISCLOSED HEREIN ARE THE PROPERTY OF ELECTRONIC CONTROLS COMPANY AND/OR ITS ECCO SAFETY GROUP AFFILIATES ("ECCO") AND IS ISSUED IN CONFIDENCE TO RECIPIENT FOR ENGINEERING INFORMATION PURPOSES ONLY. THIS DRAWING AND THE DESIGN AND OTHER INFORMATION DISCLOSED HEREIN MAY NOT BE USED, COPIED, REPRODUCED OR OTHERWISE DISCLOSED IN PART OR IN WHOLE TO THIRD PARTIES OR USED FOR ANY OTHER PURPOSE WITHOUT PRIOR ECCO WRITTEN CONSENT. ECCO RESERVES ALL PATENT, COPYRIGHT, TRADEMARK AND OTHER PROPRIETARY RIGHTS TO THIS DOCUMENT, INCLUDING ALL DESIGN, MANUFACTURING, REPRODUCTION, USE AND SALES RIGHTS THEREIN. THIS DRAWING IS SUBJECT TO RECALL BY ECCO AT ANY TIME, AND YOUR POSSESSION AND/OR USE CONSTITUTES ACCEPTANCE OF THESE TERMS. ©2019 ELECTRONIC CONTROLS COMPANY

SCALE 1:1	APPROVALS	DATE	
CAD GENERATED DRAWING DO NOT MANUALLY UPDATE. MODEL REFERENCED: A	DRAWN BY: ABB	2021-01-29	
TOLERANCES ARE IN INCHES, AND MILLIMETERS TOLERANCES UNLESS OTHERWISE STATED ARE:	CHECKED: MDH	2021-01-29	
XX: ± 1.0mm XX.X: ± 0.5mm	MECH. ENG. JLA	2021-01-29	
XX.X: ± 0.1 X.XX: ± 0.04 X.XXX: ± 0.02	ELEC. ENG.		<b>6 LED, SURFACE MNT, SPLIT, 12-24VDC</b> CUSTOMER PART NO. <b>SEE CHART</b>
ANGLES ± 0.5° FRACTIONS ± 1/64	TEST ENG.		
THIRD ANGLE PROJECTION	SALES: MD	2021-01-29	SIZE: B DWG. NO.: ED3705XX SHEET 1 OF 1 Project: C14031 Date Created: 2019-02-20
	Electronically Controlled Use Latest Copy		REV. B