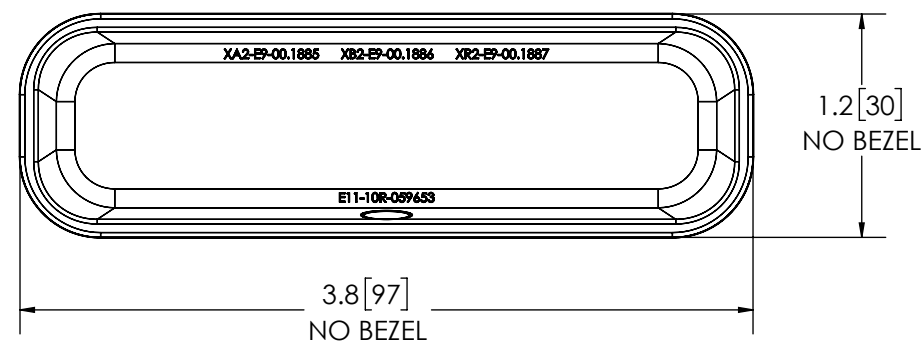
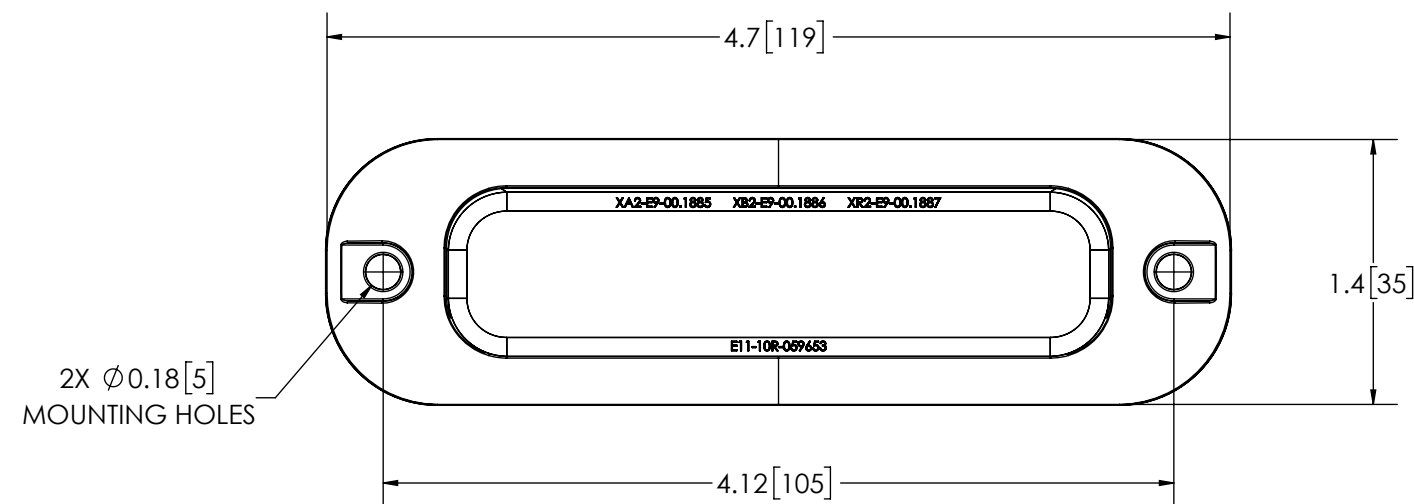
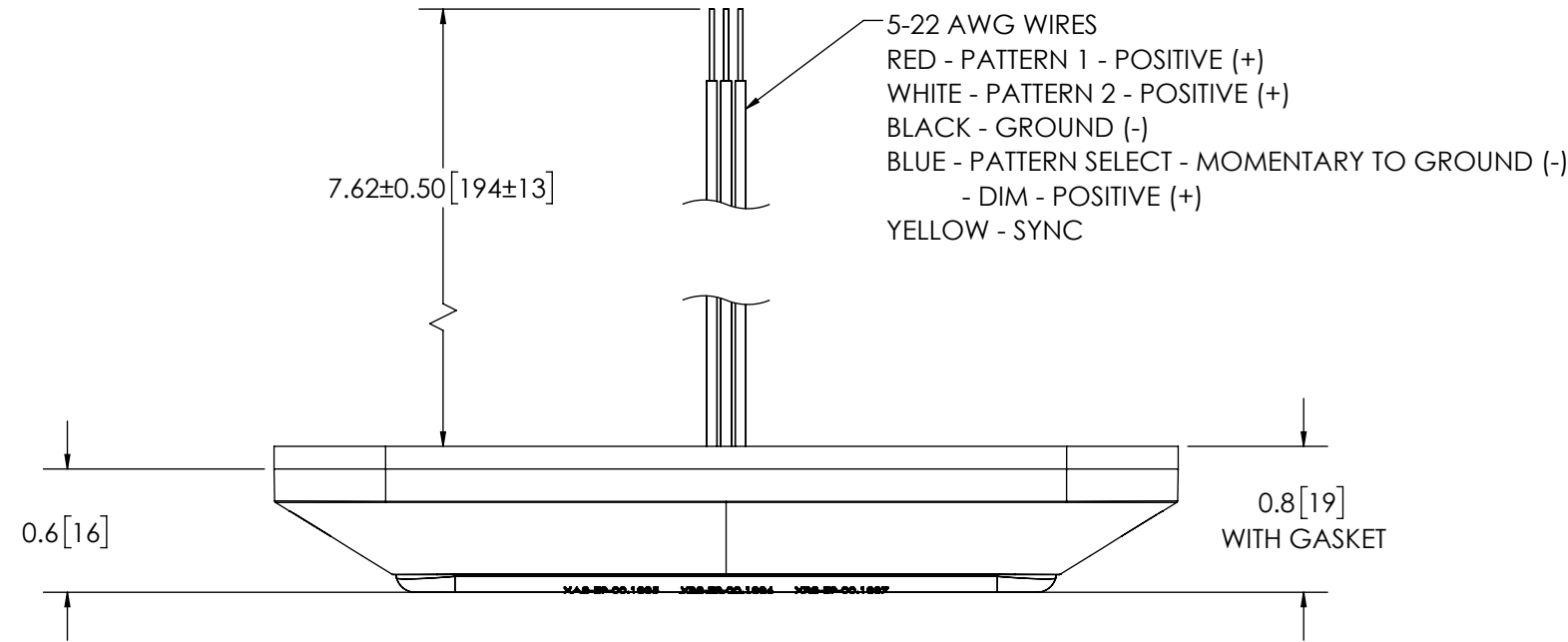


REVISION HISTORY		
REV.	DESCRIPTION	DATE
03	REVISED PER C14031	2019-02-20
A	INITIAL RELEASE PER C14031	2019-03-14
B	REVISED PER EC6091	2021-06-28

### SPECIFICATIONS

- CERTIFICATIONS: IP67; REG10; SEE CHART FOR SAE J595, CA TITLE 13 AND REG65  
 Note: Unique components, accessories, and hardware kits are not typically included in the Product Certification Test Protocols. Unless otherwise Specified, the Product Certifications referred to herein are predicated upon the base product model configuration.
- FLASH MODE: SINGLE : 75 ± 5 FLASHES PER MINUTE  
 QUINT : 150 ± 5 FLASHES PER MINUTE  
 SINGLE : 120 ± 5 FLASHES PER MINUTE
- VOLTAGE (NOMINAL): 12-24 VDC
- VOLTAGE (EXTREME): 9-32 VDC
- CURRENT (PEAK): SEE CHART
- POWER (MAXIMUM): SEE CHART
- TEMPERATURE RANGE: -40°F (-40°C) TO 149°F (65°C)
- CONNECTION: 5 - 22 AWG WIRES
- MOUNTING: 2 BOLT
- BASE MATERIAL: POLYCARBONATE
- LENS MATERIAL: POLYCARBONATE
- PRODUCT WEIGHT: 0.13 LBS (0.06 Kg)



- NOTES:
- ROHS COMPLIANT
  - DIMENSIONS IN INCHES[MILLIMETERS (FOR REFERENCE)]

FGS. PRODUCT CHART					
FGS. NO.	COLOR	CURRENT (PEAK) A	POWER (MAX) W	SAE J595	CA TITLE 13
ED3704AC	AMB/WHT	0.6	7.7	CLASS 1	CLASS B (AMB ONLY)
ED3704AB	AMB/BLU	0.6	7.5	CLASS 1	CLASS B
ED3704BC	BLU/WHT	0.6	7.7	CLASS 1	CLASS B (BLU ONLY)
ED3704AR	AMB/RED	0.6	7.5	CLASS 1	CLASS B
ED3704RB	RED/BLU	0.6	7.2	CLASS 1	CLASS B
ED3704RC	RED/WHT	0.6	7.7	CLASS 1	CLASS B (RED ONLY)

SCALE 1:1	APPROVALS	DATE	
CAD GENERATED DRAWING DO NOT MANUALLY UPDATE. MODEL REFERENCED: C	DRAWN BY BTK	2021-06-21	
TOLERANCES ARE IN INCHES, AND MILLIMETERS TOLERANCES UNLESS OTHERWISE STATED ARE:	CHECKED MDH	2021-06-22	
XX ± 1.0mm XX.X ± 0.5mm	MECH. ENG. NMT	2021-06-21	
XX ± 0.1 XX.X ± 0.04 X.XXX ± 0.02	ELEC. ENG. SPO	2021-06-21	<b>4 LED, SURFACE MNT, SPLIT, 12-24VDC</b>
ANGLES ± 0.5° FRACTIONS ± 1/64	TEST ENG. JRT	2021-06-24	
THIRD ANGLE PROJECTION	SALES		CUSTOMER PART NO. <b>SEE CHART</b>
			PRODUCT SERIES: <b>ED3704</b>
Electronically Controlled Use Latest Copy	SIZE: B	DWG. NO. ED3704XX	REV. B
	SHEET 1 OF 1	Project: C14031	Date Created: 2018-12-10

PROPRIETARY AND CONFIDENTIAL INFORMATION

THIS DRAWING AND THE DESIGN AND OTHER INFORMATION DISCLOSED HEREIN ARE THE PROPERTY OF ELECTRONIC CONTROLS COMPANY AND/OR ITS ECCO SAFETY GROUP AFFILIATES ("ECCO") AND IS ISSUED IN CONFIDENCE TO RECIPIENT FOR ENGINEERING INFORMATION PURPOSES ONLY. THIS DRAWING AND THE DESIGN AND OTHER INFORMATION DISCLOSED HEREIN MAY NOT BE USED, COPIED, REPRODUCED OR OTHERWISE DISCLOSED IN PART OR IN WHOLE TO THIRD PARTIES OR USED FOR ANY OTHER PURPOSE WITHOUT PRIOR ECCO WRITTEN CONSENT. ECCO RESERVES ALL PATENT, COPYRIGHT, TRADEMARK AND OTHER PROPRIETARY RIGHTS TO THIS DOCUMENT, INCLUDING ALL DESIGN, MANUFACTURING, REPRODUCTION, USE AND SALES RIGHTS THEREIN. THIS DRAWING IS SUBJECT TO RECALL BY ECCO AT ANY TIME, AND YOUR POSSESSION AND/OR USE CONSTITUTES ACCEPTANCE OF THESE TERMS. ©2018 ELECTRONIC CONTROLS COMPANY