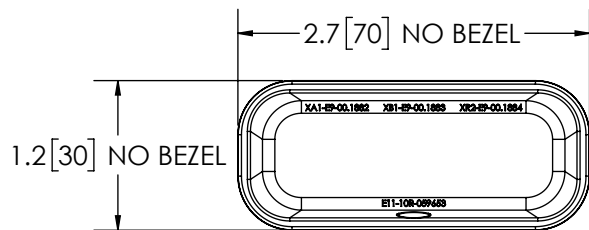
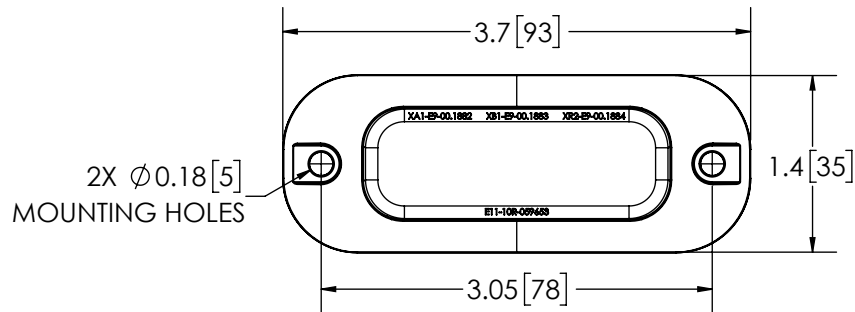
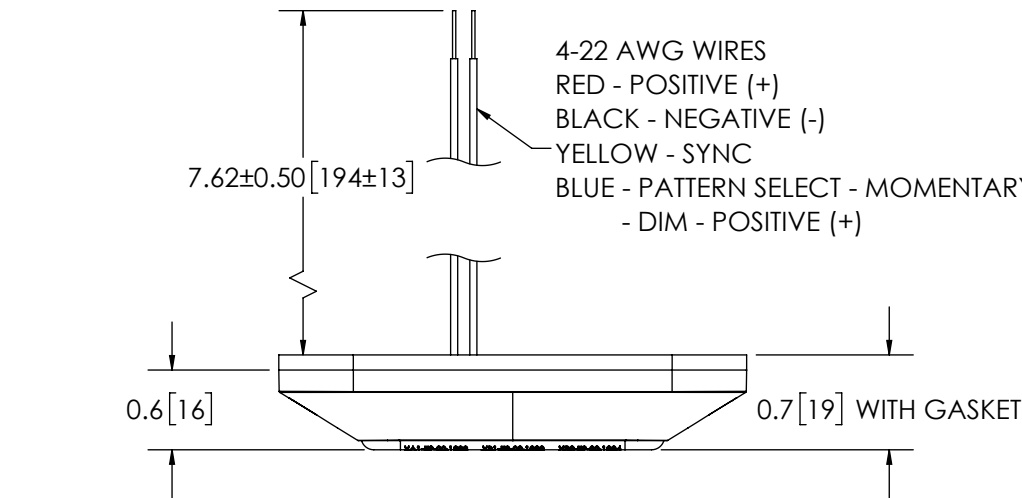


REVISION HISTORY

REV.	DESCRIPTION	DATE
04	REVISED PER C14031	2019-04-09
A	INITIAL RELEASE PER C14031	2019-04-11
B	REVISED PER C14031	2021-05-10



**SPECIFICATIONS**

- CERTIFICATIONS: IP67; REG10; SAE J595 (SEE CHART); CA Title 13 (SEE CHART); REG 65 (SEE CHART)  
 Note: Unique components, accessories, and hardware kits are not typically Included in the Product Certification Test Protocols. Unless otherwise Specified, the Product Certifications referred to herein are predicated upon the base product model configuration.
- FLASH MODE: CYCLE: N/A FLASHES PER MINUTE  
 SINGLE: 75 ± 5 FLASHES PER MINUTE  
 SINGLE : 120 ± 5 FLASHES PER MINUTE
- VOLTAGE (NOMINAL): 12-24 VDC
- VOLTAGE (EXTREME): 9-32 VDC
- CURRENT (PEAK): SEE CHART (@ 12 VDC NOMINAL)
- POWER (MAXIMUM): SEE CHART (@ 12 VDC NOMINAL)
- TEMPERATURE RANGE: -40°F (-40°C) TO 149°F (65°C)
- CONNECTION: 4 - 22 AWG WIRES
- MOUNTING: 2 BOLT
- BASE MATERIAL: POLYCARBONATE
- LENS MATERIAL: POLYCARBONATE
- PRODUCT WEIGHT: 0.10 LBS (0.043 Kg)

**FGS. PRODUCT CHART**

FGS. NO.	COLOR	CURRENT (PEAK) A	POWER (MAX) W	REG65	SAEJ595	CA TITLE 13
ED3703A	AMBER	0.40	5.4	CLASS 1	CLASS 1	CLASS B
ED3703B	BLUE	0.40	5.1	CLASS 1	CLASS 1	CLASS B
ED3703C	WHITE	0.44	5.6	-	CLASS 1	-
ED3703R	RED	0.30	4.1	CLASS 2	CLASS 1	CLASS B
ED3703G	GREEN	0.44	5.6	-	-	-

- NOTES:  
 1. ROHS COMPLIANT  
 2. DIMENSIONS IN INCHES[MILLIMETERS (FOR REFERENCE)]

PROPRIETARY AND CONFIDENTIAL INFORMATION

THIS DRAWING AND THE DESIGN AND OTHER INFORMATION DISCLOSED HEREIN ARE THE PROPERTY OF ELECTRONIC CONTROLS COMPANY AND/OR ITS ECCO SAFETY GROUP AFFILIATES ("ECCO") AND IS ISSUED IN CONFIDENCE TO RECIPIENT FOR ENGINEERING INFORMATION PURPOSES ONLY. THIS DRAWING AND THE DESIGN AND OTHER INFORMATION DISCLOSED HEREIN MAY NOT BE USED, COPIED, REPRODUCED OR OTHERWISE DISCLOSED IN PART OR IN WHOLE TO THIRD PARTIES OR USED FOR ANY OTHER PURPOSE WITHOUT PRIOR ECCO WRITTEN CONSENT. ECCO RESERVES ALL PATENT, COPYRIGHT, TRADEMARK AND OTHER PROPRIETARY RIGHTS TO THIS DOCUMENT, INCLUDING ALL DESIGN, MANUFACTURING, REPRODUCTION, USE AND SALES RIGHTS THERETO. THIS DRAWING IS SUBJECT TO RECALL BY ECCO AT ANY TIME, AND YOUR POSSESSION AND/OR USE CONSTITUTES ACCEPTANCE OF THESE TERMS. ©2019 ELECTRONIC CONTROLS COMPANY

SCALE 2:3	APPROVALS	DATE
CAD GENERATED DRAWING DO NOT MANUALLY UPDATE. MODEL REFERENCED: A+	DRAWN BY MDH	2020-09-24
	CHECKED ABB	2020-09-25
TOLERANCES ARE IN INCHES AND MILLIMETERS TOLERANCES UNLESS OTHERWISE STATED ARE:	MECH. ENG. NMT	2020-09-25
	ELEC. ENG. SPO	2020-09-24
MILLIMETERS DECIMALS XX. ± 1.0mm XX.X ± 0.5mm	TEST ENG. JRT	2020-09-30
	SALES. MD	2020-09-25
INCHES DECIMALS X.X ± 0.1 X.XX ± 0.04 X.XXX ± 0.02		
ANGLES ± 0.5°		
FRACTIONS ± 1/64		
THIRD ANGLE PROJECTION		
	Electronically Controlled Use Latest Copy	



**3 LED, SURFACE MNT, 12-24VDC**

CUSTOMER PART NO. <b>SEE CHART</b>		REV.
SIZE: A	DWG. NO. ED3703X	B
SHEET 1 OF 1 Project: C14031		Date Created: 2019-02-20