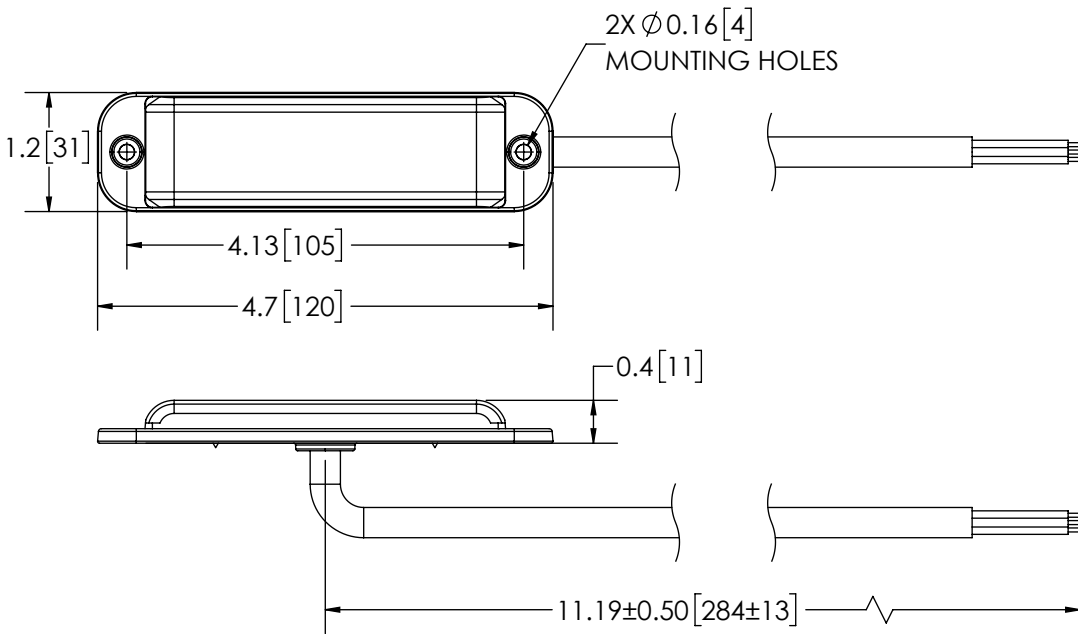


REVISION HISTORY		
REV.	DESCRIPTION	DATE
02	REVISED PER LM14246	2015-10-12
A	INITIAL RELEASE PER LM14246	2015-10-16
B	REVISED PER EC5993	2020-05-07



5-22 AWG WIRES
 RED - POSITIVE, COLORS 1 & 3
 WHITE - POSITIVE, COLORS 2 & 4
 BLACK - NEGATIVE
 BLUE - PATTERN SELECT (-)
 YELLOW - SYNC

SPECIFICATIONS

- CERTIFICATIONS: ECE R10; SAE (SEE CHART); CA Title 13 (SEE CHART); C-Tick; Reg 65 CertXA1(SEE CHART); IP67
 Note: Unique components, accessories, and hardware kits are not typically included in the Product Certification Test Protocols. Unless otherwise Specified, the Product Certifications referred to herein are predicated upon the base product model configuration.
- FLASH MODE: SINGLE : 75 ± 5 FLASHES PER MINUTE
 SINGLE : 120 ± 5 FLASHES PER MINUTE
 DOUBLE : 75 ± 5 FLASHES PER MINUTE
- VOLTAGE (NOMINAL): 12 to 24 VDC
- VOLTAGE (EXTREME): 9.0 to 32.0 VDC
- CURRENT (PEAK): 0.64A (@ 12 VDC NOMINAL)
- POWER (MAXIMUM): 8.2W (@ 12 VDC NOMINAL)
- TEMPERATURE RANGE: -22°F (-30°C) TO 122°F (50°C)
- CONNECTION: 5 - 22 AWG CABLE
- MOUNTING: 2 BOLT
- BASE MATERIAL: ALUMINUM
- LENS MATERIAL: POLYCARBONATE
- PRODUCT WEIGHT: 0.2 LBS (0.09 Kg)

FGS. PRODUCT CHART				
FGS. NO.	COLOR	J595 (MAR 2014)	TITLE 13	REG 65
ED3702AB	AMBER/BLUE	CLASS 1; AMBER/BLUE	CLASS B; AMBER/BLUE	AMBER/BLUE
ED3702AC	AMBER/CLEAR	CLASS 1; AMBER/CLEAR	CLASS B; AMBER	AMBER
ED3702AG	AMBER/GREEN	CLASS 1; AMBER	CLASS B; AMBER	AMBER
ED3702AR	AMBER/RED	CLASS 1; AMBER/RED	CLASS B; AMBER/RED	AMBER/RED
ED3702BC	BLUE/CLEAR	CLASS 1; BLUE/CLEAR	CLASS B; BLUE	BLUE
ED3702RB	RED/BLUE	CLASS 1; RED/BLUE	CLASS B; RED/BLUE	RED/BLUE
ED3702RC	RED/CLEAR	CLASS 1; RED/CLEAR	CLASS B; RED	RED

NOTES:
 1. DIMENSIONS IN INCHES[MILLIMETERS (FOR REFERENCE)]

PROPRIETARY AND CONFIDENTIAL INFORMATION
 THIS DRAWING AND THE DESIGN AND OTHER INFORMATION DISCLOSED HEREIN ARE THE PROPERTY OF ELECTRONIC CONTROLS COMPANY AND/OR ITS ECCO SAFETY GROUP AFFILIATES ("ECCO") AND IS ISSUED IN CONFIDENCE TO RECIPIENT FOR ENGINEERING INFORMATION PURPOSES ONLY. THIS DRAWING AND THE DESIGN AND OTHER INFORMATION DISCLOSED HEREIN MAY NOT BE USED, COPIED, REPRODUCED OR OTHERWISE DISCLOSED IN PART OR IN WHOLE TO THIRD PARTIES OR USED FOR ANY OTHER PURPOSE WITHOUT PRIOR ECCO WRITTEN CONSENT. ECCO RESERVES ALL PATENT, COPYRIGHT, TRADEMARK AND OTHER PROPRIETARY RIGHTS TO THIS DOCUMENT, INCLUDING ALL DESIGN, MANUFACTURING, REPRODUCTION, USE AND SALES RIGHTS THERETO. THIS DRAWING IS SUBJECT TO RECALL BY ECCO AT ANY TIME, AND YOUR POSSESSION AND/OR USE CONSTITUTES ACCEPTANCE OF THESE TERMS. ©2015 ELECTRONIC CONTROLS COMPANY

SCALE 1:2		APPROVALS	DATE
CAD GENERATED DRAWING DO NOT MANUALLY UPDATE. MODEL REFERENCED: A		DRAWN BY: ABB	2020-05-05
TOLERANCES ARE IN INCHES, AND MILLIMETERS TOLERANCES UNLESS OTHERWISE STATED ARE:		CHECKED: MDH	2020-05-06
MILLIMETERS DECIMALS XX. ± 1.0mm XX.X ± 0.5mm	INCHES DECIMALS X.X ± 0.1 X.XX ± 0.04 X.XXX ± 0.02	MECH. ENG. JLA	2020-05-05
	ANGLES ± 0.5° FRACTIONS ± 1/64	ELEC. ENG. SPO	2020-05-05
	THIRD ANGLE PROJECTION	TEST ENG. JRT	2020-05-06
		SALES. MD	2020-05-05



12 LED, THIN MNT, DUAL COLOR, 12-24

CUSTOMER PART NO. SEE CHART		REV.
SIZE: A	DWG. NO. ED3702XX	B
Electronically Controlled Use Latest Copy		
SHEET 1 OF 1	Project: LM14246	Date Created: 2015-09-21