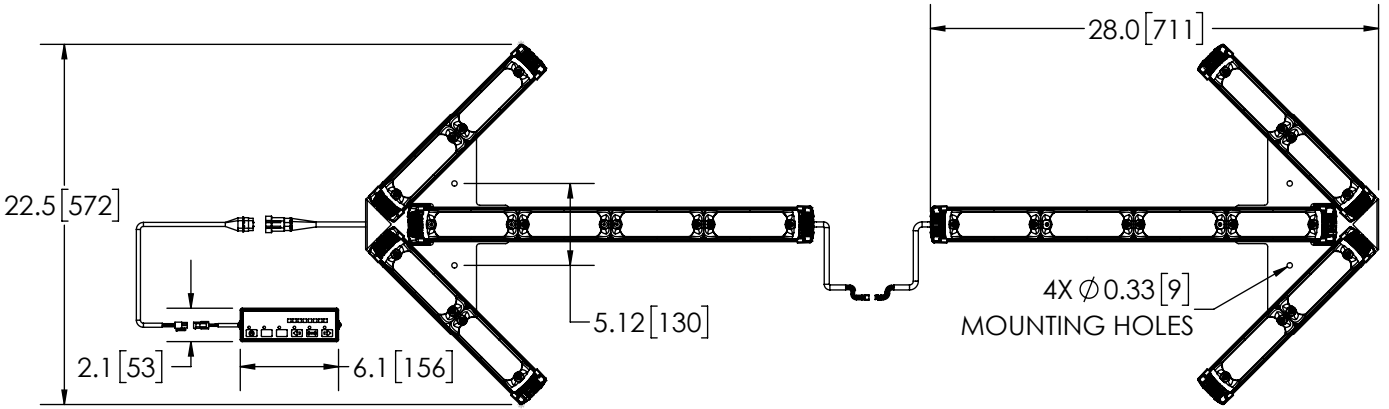


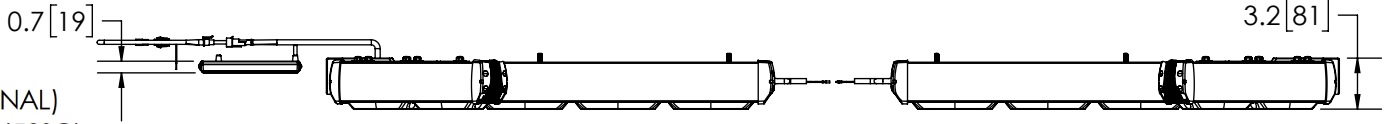
REVISION HISTORY		
REV.	DESCRIPTION	DATE
05	REVISED PER LM14262	2015-12-08
A	INITIAL RELEASE PER LM14262	2016-01-15
B	REVISED PER EC5405	2019-04-05



**FRONT VIEW**

**SPECIFICATIONS**

- CERTIFICATIONS: **CE**; ECE R10; SAE J595 (MAR 2014) CLASS 1; YELLOW;  
 Note: Unique components, accessories, and hardware kits are not typically included in the Product Certification Test Protocols. Unless otherwise Specified, the Product Certifications referred to herein are predicated upon the base product model configuration.
- FLASH MODE: SINGLE : 125 ± 5 FLASHES PER MINUTE
- VOLTAGE (NOMINAL): 12 to 24 VDC
- VOLTAGE (EXTREME): 9.0 to 32 VDC
- CURRENT (PEAK): 2.8A (@ 12 VDC NOMINAL)
- POWER (MAXIMUM): 35.8W (@ 12 VDC NOMINAL)
- TEMPERATURE RANGE: -22°F (-30°C) TO 122°F (50°C)
- CONNECTION: 2-16 AWG WIRES AND 18' CABLE
- MOUNTING: MOUNTING KIT PROVIDED
- BASE MATERIAL: ALUMINUM
- LENS MATERIAL: POLYCARBONATE
- PRODUCT WEIGHT: 18.22 LBS (8.2 Kg)



**TOP VIEW**

**DISCLAIMER**  
 DIMENSIONS, ILLUSTRATIONS, SPECIFICATIONS, AND CERTIFICATIONS CONTAINED IN THIS DOCUMENT ARE TYPICAL OF THE ACTUAL PRODUCT AND ARE SUBJECT TO CHANGE. ECCO ENGINEERING DOES NOT MAINTAIN FORMAL DESIGN CONTROL OF THIS PRODUCT.

**MOUNTING DISCLAIMER**  
 MOUNTING MEASUREMENT IS FOR REFERENCE ONLY.  
 MEASURE BEFORE DRILLING.

- NOTES:**
- ROHS COMPLIANT
  - DIMENSIONS IN INCHES [MILLIMETERS (FOR REFERENCE)]

SCALE 1:16		APPROVALS		DATE			
CAD GENERATED DRAWING DO NOT MANUALLY UPDATE. MODEL REFERENCED: A		DRAWN BY ABD		2019-04-03			
TOLERANCES ARE IN INCHES, AND MILLIMETERS TOLERANCES UNLESS OTHERWISE STATED ARE:		CHECKED ABB		2019-04-04		MECH. ENG.	
MILLIMETERS DECIMALS XX. ± 1.0mm XX.X ± 0.5mm	INCHES DECIMALS X.X ± 0.1 X.XX ± 0.04 X.XXX ± 0.02	ANGLES ± 0.5°		ELEC. ENG. JES		2019-04-04	
THIRD ANGLE PROJECTION		FRACTIONS ± 1/64		TEST ENG. JRT		2019-04-05	
		SALES. DMV		2019-04-05		SALES. DMV	
		Electronically Controlled Use Latest Copy		SHEET 1 OF 1		Project: LM14262	
<b>SAFETY DIRECTOR, SPLIT ARROW, 28", 12-24VDC</b>		CUSTOMER PART NO. ED3307SA		PRODUCT SERIES: ED3307SA		SIZE: A	
DWG. NO. ED3307SA		REV. B		Date Created: 2015-11-03		Project: LM14262	

THIS DRAWING AND THE DESIGN AND OTHER INFORMATION DISCLOSED HEREIN ARE THE PROPERTY OF ELECTRONIC CONTROLS COMPANY AND/OR ITS ECCO SAFETY GROUP AFFILIATES ("ECCO") AND IS ISSUED IN CONFIDENCE TO RECIPIENT FOR ENGINEERING INFORMATION PURPOSES ONLY. THIS DRAWING AND THE DESIGN AND OTHER INFORMATION DISCLOSED HEREIN MAY NOT BE USED, COPIED, REPRODUCED OR OTHERWISE DISCLOSED IN PART OR IN WHOLE TO THIRD PARTIES OR USED FOR ANY OTHER PURPOSE WITHOUT PRIOR ECCO WRITTEN CONSENT. ECCO RESERVES ALL PATENT, COPYRIGHT, TRADEMARK AND OTHER PROPRIETARY RIGHTS TO THIS DOCUMENT, INCLUDING ALL DESIGN, MANUFACTURING, REPRODUCTION, USE AND SALES RIGHTS THERETO. THIS DRAWING IS SUBJECT TO RECALL BY ECCO AT ANY TIME, AND YOUR POSSESSION AND/OR USE CONSTITUTES ACCEPTANCE OF THESE TERMS. ©2015 ELECTRONIC CONTROLS COMPANY