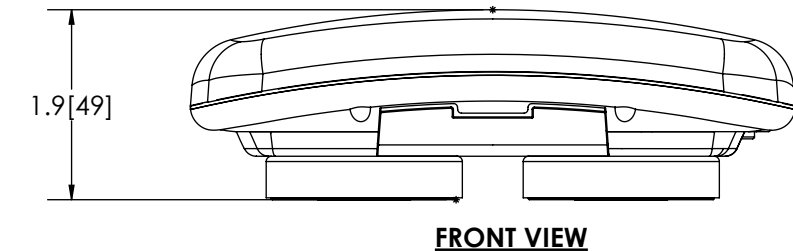
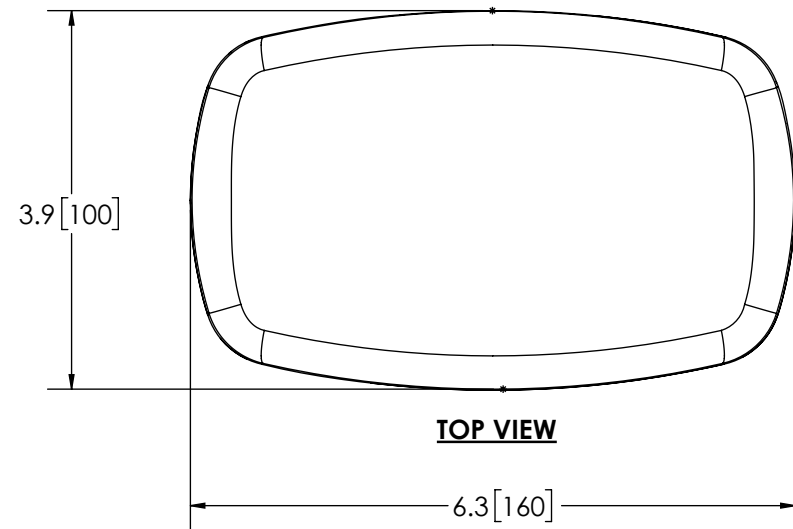


REVISION HISTORY		
REV.	DESCRIPTION	
03	REVISED PER EL0041	
04	REVISED PER EL0041	
A	INITIAL RELEASE PER EL0041	



SPECIFICATIONS

1. CERTIFICATIONS: ISO 20653 (2013); IP6K4
 Note: Unique components, accessories, and hardware kits are not typically Included in the Product Certification Test Protocols. Unless otherwise Specified, the Product Certifications referred to herein are predicated upon the base product model configuration.
2. FLASH MODE: SINGLE : 115 ±10 FLASHES PER MINUTE
 STEADY : NA
3. VOLTAGE (NOMINAL): 6 VDC
4. VOLTAGE (EXTREME): NA
5. CURRENT (PEAK): 0.32A
6. POWER (MAXIMUM): 1.9W
7. TEMPERATURE RANGE: -22°F (-30°C) TO 122°F (50°C)
8. CONNECTION: FOUR, CUSTOMER SUPPLIED, AA ALKALINE BATTERIES.
9. MOUNTING: MAGNET MOUNT
10. BASE MATERIAL: ABS
11. LENS MATERIAL: ABS
12. PRODUCT WEIGHT: 0.64 LBS (0.29 Kg)

FGS PRODUCT CHART	
FGS. NO.	COLOR
ED0016A	AMBER
ED0016R	RED

DISCLAIMER:

DIMENSIONS, ILLUSTRATIONS, SPECIFICATIONS AND CERTIFICATIONS CONTAINED IN THIS DOCUMENT ARE TYPICAL OF THE ACTUAL PRODUCT AND ARE SUBJECT TO CHANGE. ECCO ENGINEERING DOES NOT MAINTAIN FORMAL DESIGN CONTROL OF THIS PRODUCT.

- NOTES:**
1. ROHS COMPLIANT
 2. DIMENSIONS IN INCHES[MILLIMETERS (FOR REFERENCE)]

SCALE 1:2		APPROVALS			
CAD GENERATED DRAWING DO NOT MANUALLY UPDATE. MODEL REFERENCED:		DRAWN BY	ABB		
TOLERANCES ARE IN INCHES, AND MILLIMETERS TOLERANCES UNLESS OTHERWISE STATED ARE:		CHECKED			
MILLIMETERS DECIMALS XX. ± 1.0mm XX.X ± 0.5mm	INCHES DECIMALS X.X ± 0.1 X.XX ± 0.04 X.XXX ± 0.02	MECH. ENG.			
		ELEC. ENG.			
		TEST ENG.	JMK	SIZE: A DWG. NO. ED0016X REV. A	
		SALES		Project: EL0041 Date Created:	
				Electronically Controlled Use Latest Copy SHEET 1 OF 1	

THIS DRAWING AND THE DESIGN IT DISCLOSES ARE THE PRIVATE PROPERTY OF ESG AND IS ISSUED IN CONFIDENCE FOR ENGINEERING INFORMATION ONLY. THE DRAWING AND / OR DESIGN MAY NOT BE USED, COPIED, REPRODUCED, OR OTHERWISE DISCLOSED IN PART OR AS A WHOLE TO OUTSIDERS OR USED FOR ANY OTHER PURPOSE WITHOUT THE PRIOR WRITTEN CONSENT OF ESG. THE DRAWING IS SUBJECT TO RECALL AT ANY TIME. YOUR POSSESSION OF THIS DOCUMENT CONSTITUTES ACCEPTANCE OF THESE TERMS. © 2016 ECCO