



BEACONS | MINIBARS | LIGHTBARS | WORKLAMPS | UTILITY BARS | INTERIOR LIGHTING | BACK-UP ALARMS | CAMERA SYSTEMS

DIRECTIONALS

ED0002 SERIES Self-Adhesive LED

Stick-A-LED™ warning lights are compact, high intensity auxiliary LEDs designed to provide a powerful warning signal with fast and easy installation. The Stick-A-LED requires only a single (wiring) hole and a simple two-wire connection to install; no fasteners are needed. The self-adhesive, peel-and-stick backing allows placement on any flat surface. Available in three shapes: Oval (3 LEDs), Triangle (3 LEDs) and Rectangle (6 LEDs). Each model features a tough polycarbonate base and lens with integrated optics that provide enhanced light dispersion.

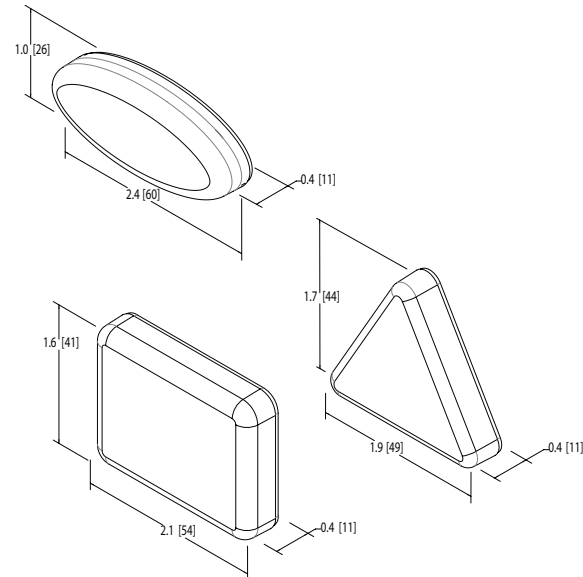
Models

PART NO.	VDC	AMPS	LUMENS			SHAPE
			Amber/Red	Clear	Blue	
ED0002X	12-24	0.6	120	180	45	Oval
ED0003X	12-24	0.6	120	180	45	Triangle
ED0004X	12-24	0.75	240	360	90	Rectangle

Replace X in part number with desired LED color: A = amber, B = blue, C = clear, R = red

Features and Benefits

- Three or six 1-watt LEDs
- Features quad flash pattern
- Self-adhesive peel-and-stick backing
- No fasteners needed; only a single wiring hole and simple two-wire connection
- Tough polycarbonate base and lens
- Colorless when not illuminated
- CE, R10, IP66
- Temperature Range: -22°F to +122°F (-30°C to +50°C)
- Warranty: 1 year



Self-Adhesive Backing

