



MODULAR LED
LIGHTBAR SYSTEM



CONTENT

1. MODULAR LED LIGHTBAR SYSTEM
2. INTERIOR LIGHTING
3. UTILITY SOLUTIONS
4. TOW SOLUTIONS
5. CONSTRUCTION SOLUTIONS
6. MINING SOLUTIONS
7. MATERIAL HANDLING SOLUTIONS
8. REFUSE SOLUTIONS
9. HIGHWAY SOLUTIONS
10. TRANSIT VAN SOLUTIONS

TOUGH. ADAPTABLE. JOB-READY.

JUST LIKE YOU

The revolutionary Axios™ modular LED lightbar system takes safety and on-the-job performance to a new level. Choose from seven high-performance LED lighting options with exclusive DropLock™ technology that feature simple twist-lock placement virtually anywhere in the bar.

Backed by a 5-year warranty, it all adds up to a better lightbar without the wait.

NO TOOLS COUNTLESS OPTIONS

Unlimited build options. More operational flexibility. More opportunity. The Axios system enables you to design, build, and deploy the ultimate warning light solution. No-tools convenience makes building, reconfiguring, or upgrading your lightbar fast and easy.

00-DAY LEAD TIME

Configure Axios on the spot to meet your exact needs and put your vehicle to work the same day. No more waiting on factory schedules and shipping times. Experience on-site, on-demand assembly today at your local ECCO certified Axios Partner.



MATERIALS + SCIENCE = RESULTS

Axios combines advanced materials, cutting edge design, and innovative product engineering from ECCO's R&D headquarters to create the world's first modular LED lightbar system. Patents pending.

PROVEN RELIABLE

Axios, like all ECCO products, is built to a higher standard – ours. We abuse Axios in our labs and in the most extreme real world environments so you can confidently depend on it in the harshest of conditions.



LEAD TIME

Constructed from premium grade materials, each Axios chassis features a central control board that distributes power and control signals via tracks inside the three DropLock power rails spanning the length of the lightbar. A built-in locking mechanism allows warning and scene light modules to be securely positioned (or repositioned) quickly and effortlessly, without wires or fasteners.



SOLID STATE
12-24 VDC, 100% LED Semiconductor electronics provide over 50,000 hours of maintenance-free operation



ALUMINUM
Lightweight, aircraft grade coated aluminum chassis offers exceptional rigidity and protection against the elements



DROPLock MODULES
Patented design allows easy module placement anywhere on the power rails, creating unlimited configurations



DROPLock POWER RAILS
Patented power rail circuitry distributes DC power and electronic control signals throughout the lightbar



BUILD IT UP

LIGHT IT UP



POLYCARBONATE

Impact resistant and UV stable lens, chassis shroud, adjustable mounting feet, and module housings



ONE SYSTEM

COUNTLESS OPTIONS

07
MODULES

Mission-specific LED warning and auxiliary lighting modules allow Axios operators to alert the public, direct traffic and illuminate the scene. Choose from three types of warning modules and a variety of options including scene lighting and stop-tail-indicators to suit your specific application. Featuring the most durable materials, advanced optical design, and the latest high-intensity LEDs, each Axios module is engineered to the highest performance standards.



DIRECTIONAL

**EZ1401X | 12-24 VDC | 0.9 Amps
Amber, Blue, Clear, Green, or Red**

Six high-performance 3-watt LEDs and wide-angle TIR optics coupled with the ability to adjust the output direction of these lights ensures full 360° SAE Class I, California Title 13, and ECE R65 compliance. Each module provides a uniform 120° horizontal beam and can be positioned anywhere along the power rail, in the front, rear, or corners (at 45°).



BEACON

**EZ1402X | 12-24 VDC | 1.0 Amps
Amber, Blue, Clear, Green, or Red**

14 high-performance 3-watt LEDs combined with a reflective internal housing and lenticular optics deliver full 360° warning in a single unit. The beacon module can be programmed to flash in unison with directional warning modules and also includes a simulated rotating warning signal. SAE Class I, California Title 13, and ECE R65 compliant.



SAFETY DIRECTOR™

**EZ1414 | 12-24 VDC | 2.5 Amps
Amber**

The LED Safety Director module is a self-contained warning system designed to direct traffic approaching from the rear of a stationary vehicle. Featuring a total of thirty-six 3-watt LEDs and nine flash patterns, this compact light-stick is mounted outside the lightbar enclosure to maximize options within the bar and is operated via the keypad controller independently from the internal warning modules. SAE Class I.



WORKLAMP

EZ1403WL | 12-24 VDC | 0.9 Amps

These flood beam modules feature four 3-watt LEDs that project 900 lumens of bright white light to illuminate your work scene after nightfall. Worklamp modules can be mounted either front or rear facing, anywhere along the length of the lightbar.



ALLEY LIGHT

EZ1403AL | 12-24 VDC | 0.9 Amps

Utilizing the same 900 lumen, flood beam design as the worklamp module, these lights are specifically intended to shine light to the sides of the vehicle, ideal for illuminating alleyways, finding pallet locations, or identifying building numbers in dark conditions.



STOP-TAIL-INDICATOR

EZ1404 | 12-24 VDC | 0.3 Amps

Stop-Tail-Indicator modules operate in conjunction with the vehicles tail, brake, and direction indicator lights to provide supplemental, high level warning of vehicle movements, especially useful for dangerous on-highway applications or where your application may obscure factory installed vehicle lighting. ECE R6 & R7 compliant.



CENTER ILLUMINATION

EZ1411-48, 54, 60, 72 | 12-24 VDC | 0.3-1.4 Amps

Using an opal colored lens and LED strip lighting, the center illumination module provides a soft-glow cruise light option. No other modules are needed in the center section of the lightbar. Vinyl lettering can also be applied to provide backlit signage.

ABSOLUTE

CONTROL



FUNCTIONS

- Tactile switches
- Flash pattern selection/memory
- Flash pattern feedback
- Hi/lo intensity control
- Cruise mode
- Stop/resume
- Convenient mounting options

Optimum Awareness. The included **EZ1405** keypad controller operates all nine functions of the lightbar and features soft-glow backlit switches as well as visual indicators that temporarily simulate the selected flash pattern. Axios operators know exactly what the lightbar is doing at any moment, without being distracted. The controller can even remember and resume previously activated functions for added convenience. Five cable routing options and three mounting options ensure clean and tidy installation in any cab.

FLASH PATTERN INDICATORS

One LED per corner temporarily mimicks warning flash patterns.

CRUISE

Press to illuminate all beacon/directional modules (steady burn).

DAY/NIGHT MODE

When active, it provides backlighting to keypad and lowers intensity of directional modules in the bar.

FORWARD WORKLAMP

Press to illuminate forward worklamps.

AUXILIARY

Control any auxiliary device (max 20 amp, via relay)

FLASH PATTERN SELECT

Press to cycle through warning flash patterns. The keypad will remember the pattern used and store it to the active preset.

ALLEY LEFT

Press to illuminate left alley light.

ALLEY RIGHT

Press to illuminate right alley light.

AXIOS™
By **EGGO**

ON/OFF SAFETY DIRECTOR (if equipped)

Will resume last pattern selected.

SAFETY DIRECTOR FLASH PATTERN INDICATORS

The 6 LED indicator windows will mimic the flash pattern for realtime feedback.

REAR WORKLAMP

Press to illuminate rear worklamps.

POWER

Press to cycle through three programmable flash pattern presets. Hold button down to shut down all functions. Press again to resume.

SAFETY DIRECTOR PATTERN SELECT

Press to cycle through Safety Director patterns.



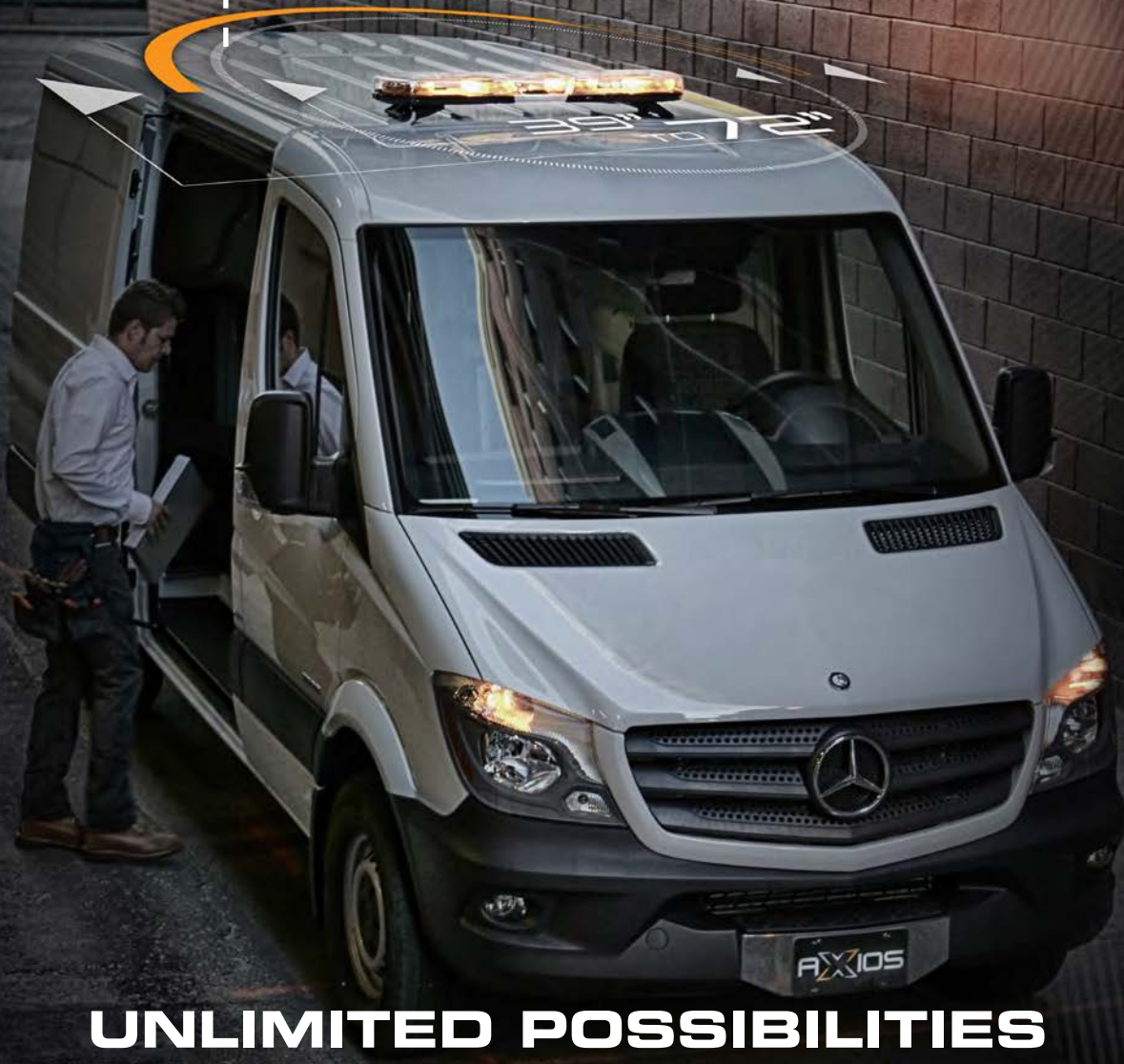
PRESET 1

PRESET 2

PRESET 3



STANDARD CONFIGURATIONS



UNLIMITED POSSIBILITIES

Suitable for any application where width of vehicle warning is desired, Axios is available in five chassis lengths to suit any specific need. Choose from seven standard configurations or design one yourself in no time!

39" Ideal for use on small vans and other light commercial vehicles. This compact general purpose warning solution is ideal for professionals from plumbers to pilot car operators.

48" The perfect length for mid-size vans and pick-ups with plenty of space for auxiliary options.

54" The optimum length for full-size vans, pick-ups and smaller tow trucks. This is our most popular bar length.

60" Ideal for large tow trucks, plows, sweepers, and other heavy road vehicles. The 30" mid-section provides ample room for supplemental warning and auxiliary lighting.

72" Designed for use on the largest commercial vehicles including plows, semi-tractors, and other Class 8 vocational trucks. This bar is so spacious the potential configurations of warning and productivity modules are virtually endless.

54"

14-00002-E

12 directionals | 2 worklamps | 2 alley lights | 2 STI | 1 Safety Director



48"

14-00001-E

12 directionals | 2 worklamps | 2 alley lights



54"

14-00007-E

10 directionals | 2 worklamps | 2 STI



48"

14-00006-E

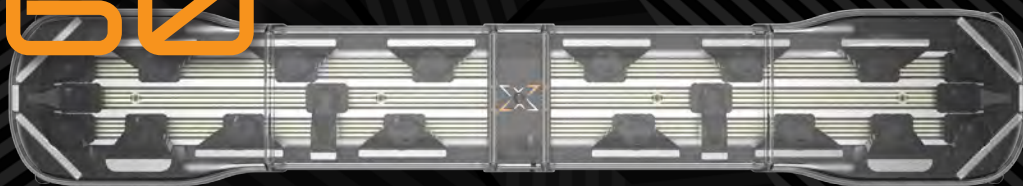
12 directionals | 1 Safety Director



60"

14-00003-E

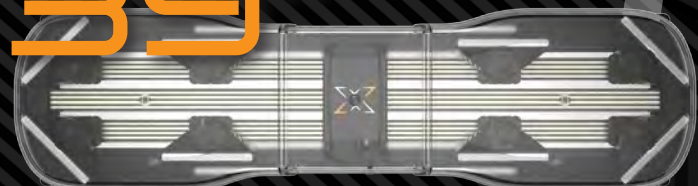
14 directionals | 2 worklamps | 2 alley lights | 2 STI



39"

14-00005-E

8 directionals



72"

14-00004-E

16 directionals | 2 worklamps | 2 alley lights | 2 STI



Need something a little different? Contact your local Axios dealer or ECCO for details on how to make your custom lightbar design a reality.

All standard configurations illuminate amber.

CERTIFIED

WORRY-FREE

CERTIFICATIONS

Beacons & Directionals: SAE J845 Class I, California Title 13, ECE Regulation 65

Safety Directors: SAE J595 Class I

Stop-Tail-Indicators: ECE Regulation 6 & 7

Lightbar: ECE Reg 10

Compliance with SAE Class I, California Title 13 and ECE Regulation 65 is dependent on both the specific configuration of warning modules within the lightbar and the selected flash pattern.



29

WARNING MODULE FLASH PATTERNS

#	Description	FPM	SAE	T13	R65*
1	Steady Burn	-			
2	CA Title 13 Double	75	✓	✓	
3	CA Title 13 Slow Quad	65	✓	✓	
4	CA Title 13 Slow Double	65	✓	✓	
5	CA Title 13 Quint	75	✓	✓	
6	Pulse8	75	✓		
7	R65 Single	120	✓		✓
8	R65 Double	120	✓		✓
9	R65 Triple	120	✓		✓
10	R65 Quad	120	✓		✓
11	R65 Burst	120	✓		✓
12	R65 Single Side-to-Side	120	✓		✓
13	R65 Double Side-to-Side	120	✓		✓
14	R65 Triple Side-to-Side	120	✓		✓
15	R65 Quad Side-to-Side	120	✓		✓
16	R65 Burst Side-to-Side	120	✓		✓
17	Quad Alternate Side-to-Side	75	✓		
18	Quad Cross Alternate	75	✓		
19	Double Alternate Side-to-Side	75	✓		
20	Double Cross Alternate	75	✓		
21	Quint Alternate Side-to-Side	75	✓		
22	Quint Cross Alternate	75	✓		
23	Quad Alternate Side-to-Side Front	75	✓		
24	Quad Alternate Side-to-Side Rear	75	✓		
25	Double Alternate Side-to-Side Front	75	✓		
26	Double Alternate Side-to-Side Rear	75	✓		
27	Quint Alternate Side-to-Side Front	75	✓		
28	Quint Alternate Side-to-Side Rear	75	✓		
29	Cycle All (2, 3, 5, 6, 13, 15, 16)	-	✓		

ROTATE MODE (Beacons Only)

#	Description	FPM	SAE	T13	R65*
1	R65 Rotate	120	✓		✓

FLASH MODE (Safety Directors Only)

#	Description	SAE
1	Left	
2	Left Solid	
3	Right	
4	Right Solid	
5	Center Out	
6	Center Out Solid	
7	Wig Wag	
8	Alternating	✓
9	Alternating Quad Flash	

*All R65 flash patterns meet ECE Regulation 65 Class II with the exception of rotate mode which meets Class I only.



HASSLE-FREE

INSTALLATION

Each Axios lightbar is supplied with a pair of tilt adjustable mounting feet and features length-of-the-bar mounting tracks that make installation easy for any roof or flat mounting surface. ECCO also offers strap mounting kits for the most popular work vehicles as well as headache rack mounting brackets.

In addition, Axios features CAN bus technology for fast, easy wiring. The lightbar is inoperable without the interior mounted junction box which provides both lightbar theft protection and allows easy routing of cable from the vehicle wiring loom to the lightbar and controller. If discrete wiring via switches is preferred, the junction box features separate control inputs and an auxiliary output for additional equipment that can also be operated via the controller (20A max).

12



STRAP MOUNTING KITS

Make	Type	Year	Part #
Ford	Super Duty Truck	2010-2015	A1026RMK
Ford	Truck, 1/2T	2010-2015	A1025RMK
Ford	Truck, 1/2T	2004-2009	A1010RMK
Ford	Truck, 3/4-1T	1999-2009	A1012RMK
Ford	Crown Victoria	1998-2013	A1013RMK
Ford	Truck Crew Cab, 1/2T	1997	A1014RMK
Dodge	Charger	2011-2015	A1031RMK
Dodge	Charger	2007-2010	A1029RMK
Dodge	Truck, 1/2-1T	2002-2013	A1011RMK
GM	Truck, 1/2-1T	2015	A1025RMK
GM	Truck, 1/2-1T	2010-2014	A1027RMK
GM	Truck, 1/2-1T	1999-2009	A1011RMK
	Headache Rack Mounting Brackets		A1401RMK
	Keypad Controller Suction Cup		EZ1415



2016 INTERIOR LIGHTING



STRIP LIGHTING

EW0100 Series

Ideal for illuminating toolboxes, racking and small interior compartments, these convenient self-adhesive LED strips are available in various pre-configured lengths as well as 16'/5m rolls. Featuring 1-watt LEDs, each strip can be spliced every 3 LEDs and preconfigured lengths are supplied with wire leads at each end allowing multiple unit to be easily daisy-chained together.

Three 1-watt LEDs per 1.5"/38mm

Self-adhesive utilizing 3M high-bond tape

Wire leads at both ends allow multiple units to be connected (excludes EW0118 / 0128)

Spliceable every 3 LEDs

Available in 16'/5m rolls

CE, RoHS, IP65

ACCESSORIES

EZ0112

Cap & wire for spliced sections



EZ0120

PIR Motion Sensor - 110° cone, adjustable sensitivity (automatically activates light when human movement is detected)





6" EW0115
 9 LEDs
 12 VDC
 0.2 Amps
 200 Raw Lumens
 200 Effective Lumens
 Flood Beam



8" EW0125
 9 LEDs
 24 VDC
 0.1 Amps
 200 Raw Lumens
 200 Effective Lumens
 Flood Beam



12" EW0116
 18 LEDs
 12 VDC
 0.4 Amps
 350 Raw Lumens
 350 Effective Lumens
 Flood Beam

12" EW0126
 18 LEDs
 24 VDC
 0.2 Amps
 350 Raw Lumens
 350 Effective Lumens
 Flood Beam



24" EW0117
 36 LEDs
 12 VDC
 0.7 Amps
 700 Raw Lumens
 700 Effective Lumens
 Flood Beam

24" EW0127
 36 LEDs
 24 VDC
 0.4 Amps
 700 Raw Lumens
 700 Effective Lumens
 Flood Beam



16' EW0118
 5M Roll
 12 VDC
 3.6 Amps
 Flood Beam



16' EW0128
 5M Roll
 24 VDC
 2.6 Amps
 Flood Beam



INTERIOR LIGHTING





EW0200 Series

Perfect for passenger compartment, sleeper cab and small interior compartment illumination, the EW0200 Series LED courtesy light range offers the choice of flush mount or surface mount models, round and rectangular housings, chrome or white bezels, as well as switched and non-switched models.

**Flush mount
(EW0210-221 only)**

**Surface mount
(EW0200/201 & EW0230-241 only)**

Switched and non-switched options

White or chrome bezel options

CE, RoHS

ACCESSORIES

EZ0120

PIR Motion Sensor - 110° cone, adjustable sensitivity
(automatically activates light when human movement is detected)



DIMENSIONS

EW0200: 0.7 [18] D x 5.5 [140] Diameter
 EW0201: 0.7 [18] D x 7.1 [180] Diameter
 EW0210-0221: 0.8 [20] D x 2.8 [71] Diameter
 EW0230-0241: 2.4 [61] H x 4.6 [117] W x 0.7 [18] D



**5.5"
SWITCHED**

EW0200

72 LEDs
 12-24 VDC
 0.4 Amps
 400 Raw Lumens
 400 Effective Lumens
 Flood Beam



**7"
SWITCHED**

EW0201

108 LEDs
 12-24 VDC
 0.5 Amps
 750 Raw Lumens
 700 Effective Lumens
 Flood Beam



EW0210

8 LEDs
 12 VDC
 0.1 Amps
 100 Raw Lumens
 50 Effective Lumens
 Spot Beam



SWITCHED

EW0220

7 LEDs
 12 VDC
 0.1 Amps
 50 Raw Lumens
 50 Effective Lumens
 Spot Beam



EW0211

8 LEDs
 12 VDC
 0.1 Amps
 100 Raw Lumens
 50 Effective Lumens
 Spot Beam



SWITCHED

EW0221

7 LEDs
 12 VDC
 0.1 Amps
 50 Raw Lumens
 50 Effective Lumens
 Spot Beam



EW0230

30 LEDs
 12-24 VDC
 0.2 Amps
 200 Raw Lumens
 200 Effective Lumens
 Flood Beam



SWITCHED

EW0240

30 LEDs
 12-24 VDC
 0.2 Amps
 150 Raw Lumens
 150 Effective Lumens
 Flood Beam



EW0231

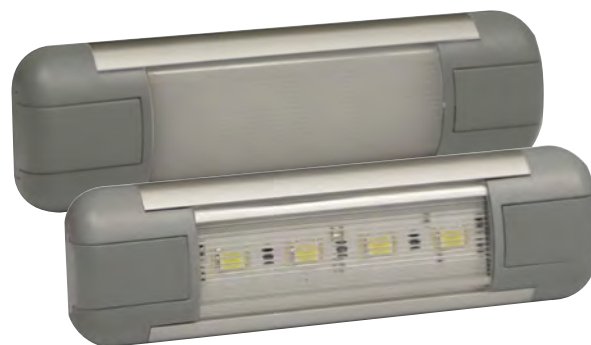
30 LEDs
 12-24 VDC
 0.2 Amps
 200 Raw Lumens
 200 Effective Lumens
 Flood Beam



SWITCHED

EW0241

30 LEDs
 12-24 VDC
 0.2 Amps
 150 Raw Lumens
 150 Effective Lumens
 Flood Beam



EW0300 Series

These surface mount rectangular LED interior lights are available in a variety of lengths and with either clear or frosted (diffused light) lenses. In addition the EW0351 features a modular design where multiple units can be connected together. Robust aluminum housings and concealed fasteners complete the package.

Surface mount with concealed fasteners (hardware included)

Aluminum housing with clear or frosted lenses

Modular design, connect up to four units with integrated bullet connectors (EW0351 only)

CE, RoHS

ACCESSORIES

EZ0120

PIR Motion Sensor - 110° cone, adjustable sensitivity (automatically activates light when human movement is detected)



EZ0351

Replacement bullet connectors (for use with EW0351 only, max four)



DIMENSIONS DIMENSIONES

EW0310 / 311: 1.3 [33] H x 4.5 [114] W x 0.5 [13] D

EW0320 / 321: 1.3 [33] H x 7 [178] W x 0.5 [13] D

EW0330 / 331: 1.3 [33] H x 9.5 [241] W x 0.5 [13] D

EW0340 / 341: 1.3 [33] H x 12 [305] W x 0.5 [13] D

EW0351: 1.3 [33] H x 13.7 [348] W x 0.5 [13] D

EW0351: 10.9 [277] W excluding endcaps





4.5" EW0310
Clear
4 LEDs
12-24 VDC
0.1 Amps
100 Raw Lumens
100 Effective Lumens
Flood Beam



4.5" EW0311
Frost
15 LEDs
12 VDC
0.1 Amps
100 Raw Lumens
50 Effective Lumens
Flood Beam



7" EW0320
Clear
8 LEDs
12-24 VDC
0.1 Amps
200 Raw Lumens
200 Effective Lumens
Flood Beam



7" EW0321
Frost
30 LEDs
12 VDC
0.2 Amps
150 Raw Lumens
100 Effective Lumens
Flood Beam



9.5" EW0330
Clear
12 LEDs
12-24 VDC
0.2 Amps
300 Raw Lumens
300 Effective Lumens
Flood Beam



9.5" EW0331
Frost
45 LEDs
12 VDC
0.2 Amps
200 Raw Lumens
150 Effective Lumens
Flood Beam



12" EW0340
Clear
16 LEDs
12-24 VDC
0.3 Amps
350 Raw Lumens
350 Effective Lumens
Flood Beam



12" EW0341
Frost
60 LEDs
12 VDC
0.3 Amps
300 Raw Lumens
250 Effective Lumens
Flood Beam



Connect multiple units together



14" EW0351
Frost
16 LEDs
12 VDC
0.5 Amps
300 Raw Lumens
250 Effective Lumens
Flood Beam



EW0400 Series

These heavy-duty surface mount LED interior lights feature aluminum housings and frosted lenses designed for optimum light diffusion. Suited to a wide variety of interior applications these lights are available in three length options and with or without integrated on/off switch and door control (operated via trigger wire).

Surface mount (hardware included)

Rugged, heavy-duty design

Aluminum housing with frosted lens

**On/off and door switch feature
(EW0410/411/412 only)**

CE, R10, RoHS, IP64

ACCESSORIES

EZ0120

PIR Motion Sensor - 110° cone, adjustable sensitivity
(automatically activates light when human movement is detected)



DIMENSIONS DIMENSIONES

EW0400 / 410: 2 [51] H x 5.4 [137] W x 0.5 [13] D
EW0401 / 411: 2 [51] H x 11.8 [300] W x 0.5 [13] D
EW0402 / 412: 2 [51] H x 17.7 [450] W x 0.5 [13] D

5.5" EW0400

10 LEDs
12-24 VDC
0.4 Amps
200 Raw Lumens
200 Effective Lumens
Flood Beam

SWITCHED

EW0410

10 LEDs
12-24 VDC
0.4 Amps
200 Raw Lumens
200 Effective Lumens
Flood Beam

12" EW0401

22 LEDs
12-24 VDC
0.7 Amps
450 Raw Lumens
450 Effective Lumens
Flood Beam

SWITCHED

EW0411

22 LEDs
12-24 VDC
0.7 Amps
450 Raw Lumens
450 Effective Lumens
Flood Beam

18" EW0402

32 LEDs
12-24 VDC
1.2 Amps
650 Raw Lumens
600 Effective Lumens
Flood Beam

SWITCHED

EW0412

32 LEDs
12-24 VDC
1.2 Amps
650 Raw Lumens
600 Effective Lumens
Flood Beam





EW0500 Series

These super thin flat-panel LED interior lights are ideal for use in a wide variety of applications, particularly where a high-output light is required but space is limited. Surface mounted with concealed fasteners these 12-24V lights feature aluminum housings, frosted lenses and on/off switches.

Flat-panel light with switch

Surface mount with concealed fasteners (hardware included)

Aluminum housing with frosted lens

CE, R10, RoHS

ACCESSORIES

EZ0120

PIR Motion Sensor - 110° cone, adjustable sensitivity (automatically activates light when human movement is detected)



DIMENSIONS

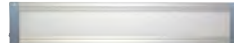
EW0500: 3.5 [89] H x 7 [178] W x 0.5 [13] D
EW0501: 5.7 [145] H x 7 [178] W x 0.5 [13] D
EW0502: 3.5 [89] H x 18.3 [465] W x 0.5 [13] D
EW0503: 5.7 [145] H x 14.8 [376] W x 0.5 [13] D



7" EW0500
42 LEDs
12-24 VDC
0.5 Amps
250 Raw Lumens
200 Effective Lumens
Flood Beam



7" EW0501
42 LEDs
12-24 VDC
0.5 Amps
350 Raw Lumens
350 Effective Lumens
Flood Beam



18" EW0502
138 LEDs
12-24 VDC
0.9 Amps
400 Raw Lumens
350 Effective Lumens
Flood Beam



15" EW0503
108 LEDs
12-24 VDC
0.8 Amps
600 Raw Lumens
550 Effective Lumens
Flood Beam





EW0600 Series

These high-output LED interior lights are ideal for illuminating large spaces such as van cargo areas with up to 4800 lumens of light intensity. Each model is switched, operates on 12 or 24V systems and surface mounts with concealed fasteners.

High-output switched light ideal for large spaces

Surface mount with concealed fasteners (hardware included)

Aluminum housing

CE, RoHS

ACCESSORIES

EZ0120

PIR Motion Sensor - 110° cone, adjustable sensitivity (automatically activates light when human movement is detected)



DIMENSIONS

EW0600: 4 [102] H x 18 [460] W x 1.1 [28] D
EW0601: 4 [102] H x 25 [635] W x 1.1 [28] D
EW0602: 4 [102] H x 33 [860] W x 1.1 [28] D



18" EW0600

96 LEDs
12-24 VDC
1.7 Amps
2000 Raw Lumens
1900 Effective Lumens
Flood Beam



25" EW0601

144 LEDs
12-24 VDC
2.7 Amps
3700 Raw Lumens
3600 Effective Lumens
Flood Beam



33" EW0602

192 LEDs
12-24 VDC
3.6 Amps
4900 Raw Lumens
4800 Effective Lumens
Flood Beam



EW0700 Series

Available in two length options these heavy-duty LED cargo/work area lights feature pivoting mounting feet that allow the angle of light output to be adjusted. Each unit has an integrated on/off switch, aluminum housing and operates on both 12 and 24V systems.

Heavy-duty switched cargo / work area light

Pivot-mounting foot provides adjustable lighting angles

Surface mount (hardware included)

Aluminum housing

CE, RoHS

ACCESSORIES

EZ0120

PIR Motion Sensor - 110° cone, adjustable sensitivity (automatically activates light when human movement is detected)



DIMENSIONS

EW0700: 1.8 [46] H x 13 [330] W x 2 [51] D

EW0701: 1.8 [46] H x 21.5 [546] W x 2 [51] D



13" EW0700
6 LEDs
12-24 VDC
0.5 Amps
400 Raw Lumens
350 Effective Lumens
Flood Beam



22" EW0701
12 LEDs
12-24 VDC
0.9 Amps
1250 Raw Lumens
1200 Effective Lumens
Flood Beam



UTILITY SOLUTIONS

GETTING THE JOB DONE

SAFELY



At ECCO, we appreciate just how dangerous the utility industry can be. And we're not just talking about installing and maintaining gas pipelines, underground sewer systems and overhead power lines. We are also talking about placing vehicles and technicians in harm's way at the side of busy roads while these tasks are carried out. Most utility vehicles operate at all hours of the day and night, through all kinds of weather. In fact, it is often the weather that necessitates utility crews to be out making repairs. Aside from the threat of inattentive drivers speeding by, the equipment installed on the vehicles including boom lifts, cranes, and cutting equipment also poses a significant risk to the operator. The likelihood of a reversing collision is also increased when large utility bodies limit rear visibility.

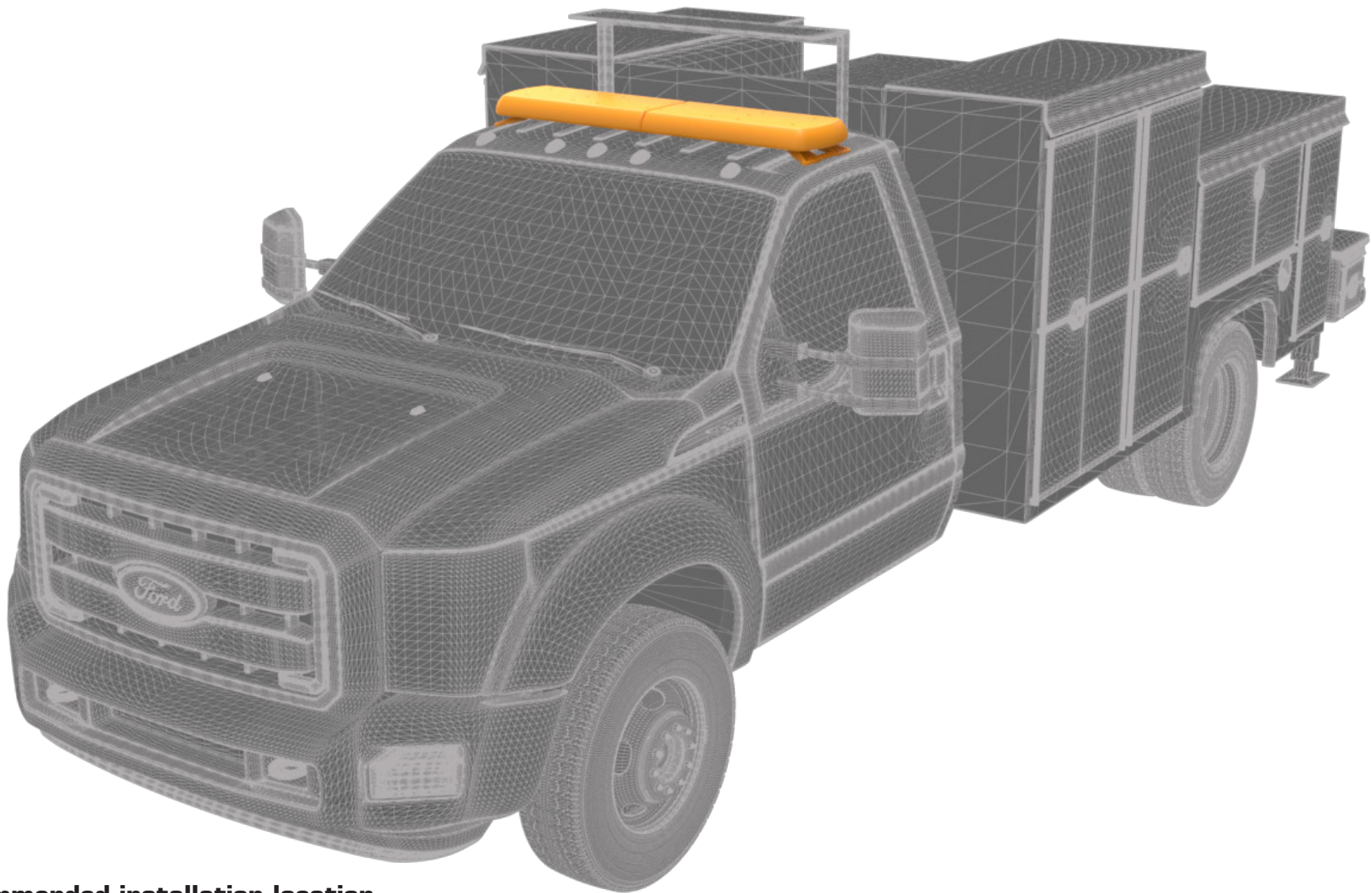
ECCO offers an extensive line of safety solutions that is ideally suited to utility vehicles. High-intensity LED warning lights give approaching drivers advanced notice of a hazard while our range of worklamps ensure that even in the lowest visibility conditions, operators can see clearly what they are doing. Finally ECCO's reversing safety solutions include back-up alarms to warn other road users and pedestrians of a reversing vehicle while our camera systems assist the driver in avoiding obstacles in their blind spots.



**Read on to learn about
specially selected products for
utility trucks, large and small.**



LIGHTBARS



Recommended installation location

UTILITY SOLUTIONS

12 Series

SAE Class I LED Lightbar



- 48"** # 12-00001-E
- C** Amber
- T** 16 LEDs
- V** 12-24
- A** 7.2
- ☑ SAE J845 Class I, California Title 13, CE, R10
- ⌚ 3 Year



- 54"** # 12-00002-E
- C** Amber
- T** 16 LEDs
- V** 12-24
- A** 7.2
- ☑ SAE J845 Class I, California Title 13, CE, R10
- ⌚ 3 Year

14 Series

SAE Class I Modular LED Lightbar



- 48"** # 14-00001-E
- C** Amber
- T** 12 LEDs, 2 WL, 2 AL
- V** 12-24
- A** 14.4
- ☑ SAE J845 Class I, Cal. Title 13, R65, R10
- ⌚ 5 Year



- 48"** # 14-00006-E
- C** Amber
- T** 12 LEDs, 1 Safety Director
- V** 12-24
- A** 13.3
- ☑ SAE J845 Class I, Cal. Title 13, R65, R10
- ⌚ 5 Year

21 Series

SAE Class I LED Lightbar



- 47"** # 21-00004-E
- C** Amber
- T** 14 LEDs
- V** 12
- A** 7.0
- ☑ SAE J845 Class I, Cal. Title 13
- ⌚ 5 Year



- 47"** # 21-00005-E
- C** Amber
- T** 16 LEDs, 2 AL, 2 WL, 6 Module Safety Director
- V** 12
- A** 12.0
- ☑ SAE J845 Class I, Cal. Title 13
- ⌚ 5 Year



- 52"** # 21-00009-E
- C** Amber
- T** 16 LEDs, 6 Module Safety Director
- V** 12
- A** 8.0
- ☑ SAE J845 Class I, Cal. Title 13
- ⌚ 5 Year

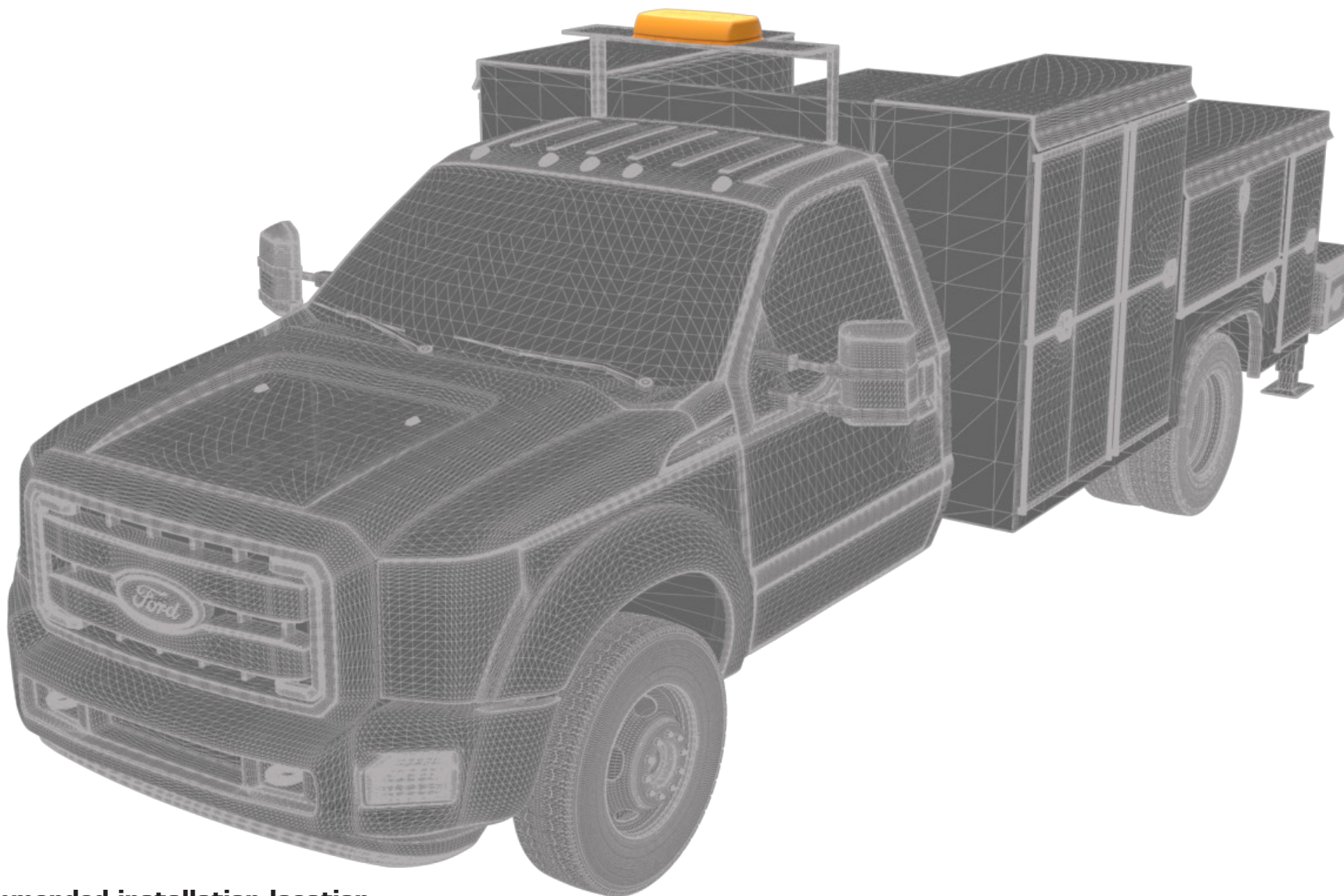
AVAILABLE COLORS (12, 14, & 21 Series)

Amber, Blue, Clear, Green & Red



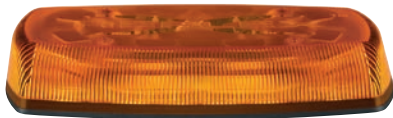
Custom configurations available

MINIBARS



Recommended installation location

UTILITY SOLUTIONS



5585A REFLEX

- C** Amber
- V** 12-24
- A** 5.1
- X** 4 Bolt
- ⊕** SAE J845 Class I, CE, R10, IP65
- ⌚** 3 Year

AVAILABLE COLORS

Amber, Blue, Clear, Green, Red & Amber/Clear
(MG models amber illumination only)



5587A REFLEX

- C** Amber
- V** 12-24
- A** 5.1
- X** 4 Bolt
- ⊕** SAE J845 Class I, CE, R10, IP65
- ⌚** 3 Year

AVAILABLE COLORS

Amber, Clear, Amber/Clear
(MG models amber & amber/clear only)



5590A REFLEX

- C** Amber
- V** 12-24
- A** 6.0
- X** 4 Bolt
- ⊕** SAE J845 Class I
California Title 13, CE, R10, IP65
- ⌚** 3 Year

AVAILABLE COLORS

Amber, Blue, Clear, Green & Red
(MG models amber & amber/clear only)

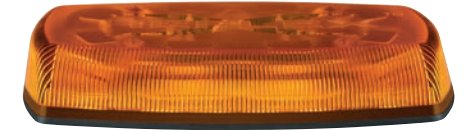


5597A REFLEX

- C** Amber
- V** 12-24
- A** 6.0
- X** 4 Bolt
- ⊕** SAE J845 Class I, California Title 13,
CE, R10, IP65
- ⌚** 3 Year

AVAILABLE COLORS

Amber, Clear, Amber/Clear
(MG models amber & amber/clear only)



5580A REFLEX

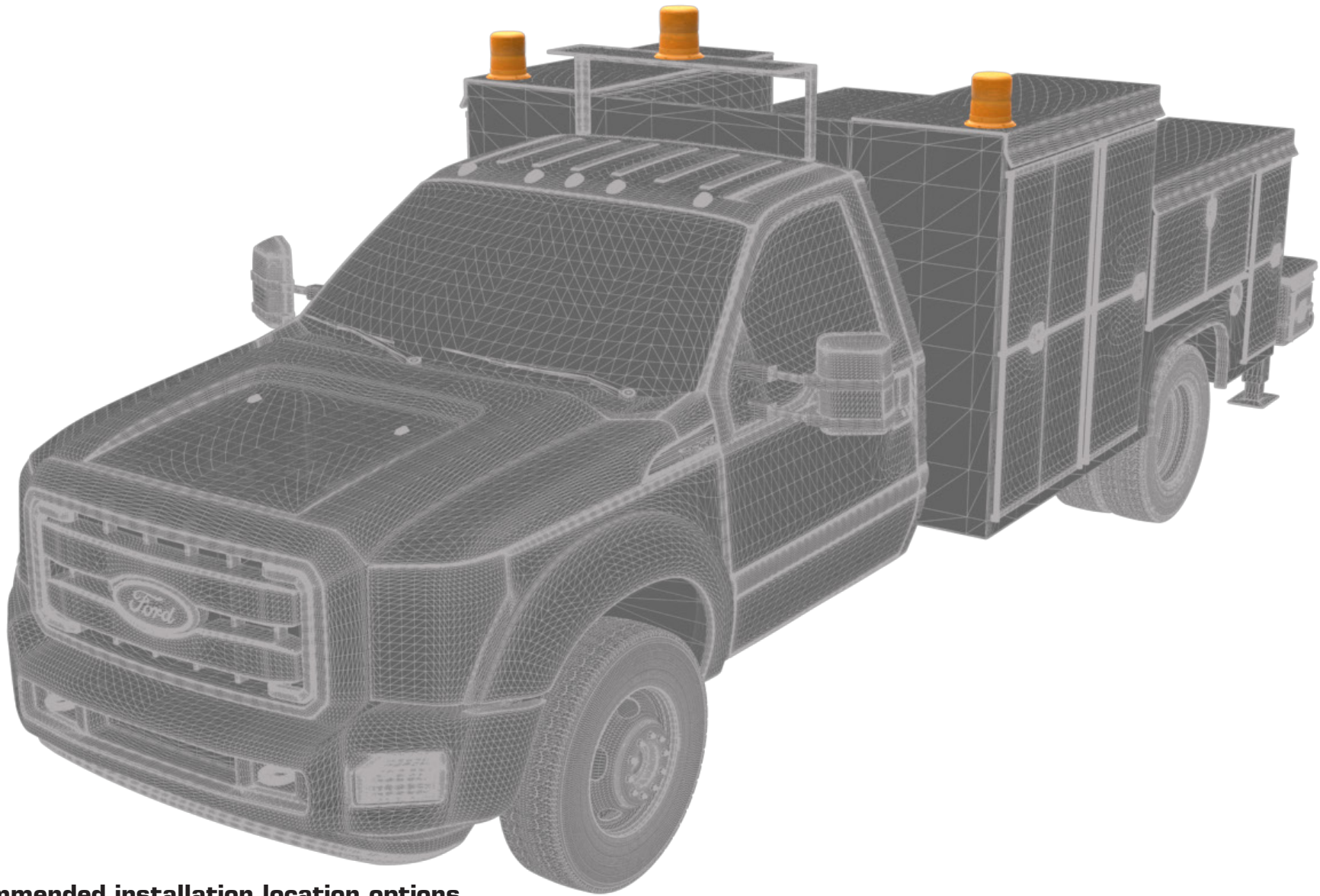
- C** Amber
- V** 12-24
- A** 2.7
- X** 4 Bolt
- ⊕** SAE J845 Class II, CE, R10, IP65
- ⌚** 3 Year

AVAILABLE COLORS

Amber



BEACONS



Recommended installation location options

UTILITY SOLUTIONS



7945A

- C** Amber
- V** 12-48
- A** 1.3
- X** 3 Bolt / 1" Pipe
- Ⓢ** SAE J845 Class II, CE, R10
- ⌚** 2 Year



7950A

- C** Amber
- V** 12-48
- A** 1.3
- X** 3 Bolt / 1" Pipe
- Ⓢ** SAE J845 Class II, CE, R10
- ⌚** 2 Year



7965A

- C** Amber
- V** 12-24
- A** 3.6
- X** 3 Bolt / 1" Pipe
- Ⓢ** SAE J845 Class I, CE, R10
- ⌚** 2 Year



7970A

- C** Amber
- V** 12-24
- A** 3.6
- X** 3 Bolt / 1" Pipe
- Ⓢ** SAE J845 Class I, CE, R10
- ⌚** 2 Year



7975A

- T** Severe Vibration
- C** Amber
- V** 12-24
- A** 3.6
- X** 3 Bolt / 1" Pipe
- Ⓢ** SAE J845 Class I, CE, R10
- ⌚** 2 Year



7980A

- T** Severe Vibration
- C** Amber
- V** 12-24
- A** 3.6
- X** 3 Bolt / 1" Pipe
- Ⓢ** SAE J845 Class I, CE, R10
- ⌚** 2 Year

AVAILABLE COLORS (7900 SERIES)

Amber, Blue, Clear, Green & Red



CA models = clear lens / amber illumination | CC models = clear lens / clear illumination



EB7180A

- C** Amber
- V** 12-24
- A** 6.2
- X** 3 Bolt / 1" Pipe
- Ⓢ** SAE J845 Class I, Cal. Title 13, R10, IP55, AMECA
- ⌚** 3 Year



EB7180A-VM

- C** Amber
- V** 12-24
- A** 6.2
- X** Vacuum-Magnet
- Ⓢ** SAE J845 Class I, Cal. Title 13, R10, IP55, AMECA
- ⌚** 3 Year



EB7185A Dual-color

- C** Amber
- V** 12-24
- A** 8.6
- X** 3 Bolt / 1" Pipe
- Ⓢ** SAE J845 Class I, Cal. Title 13, R10, IP55, AMECA
- ⌚** 3 Year



EB7185A-VM Dual-color

- C** Amber
- V** 12-24
- A** 8.6
- X** Vacuum-Magnet
- Ⓢ** SAE J845 Class I, Cal. Title 13, R10, IP55, AMECA
- ⌚** 3 Year

AVAILABLE COLORS (EB7180 / EB7185)

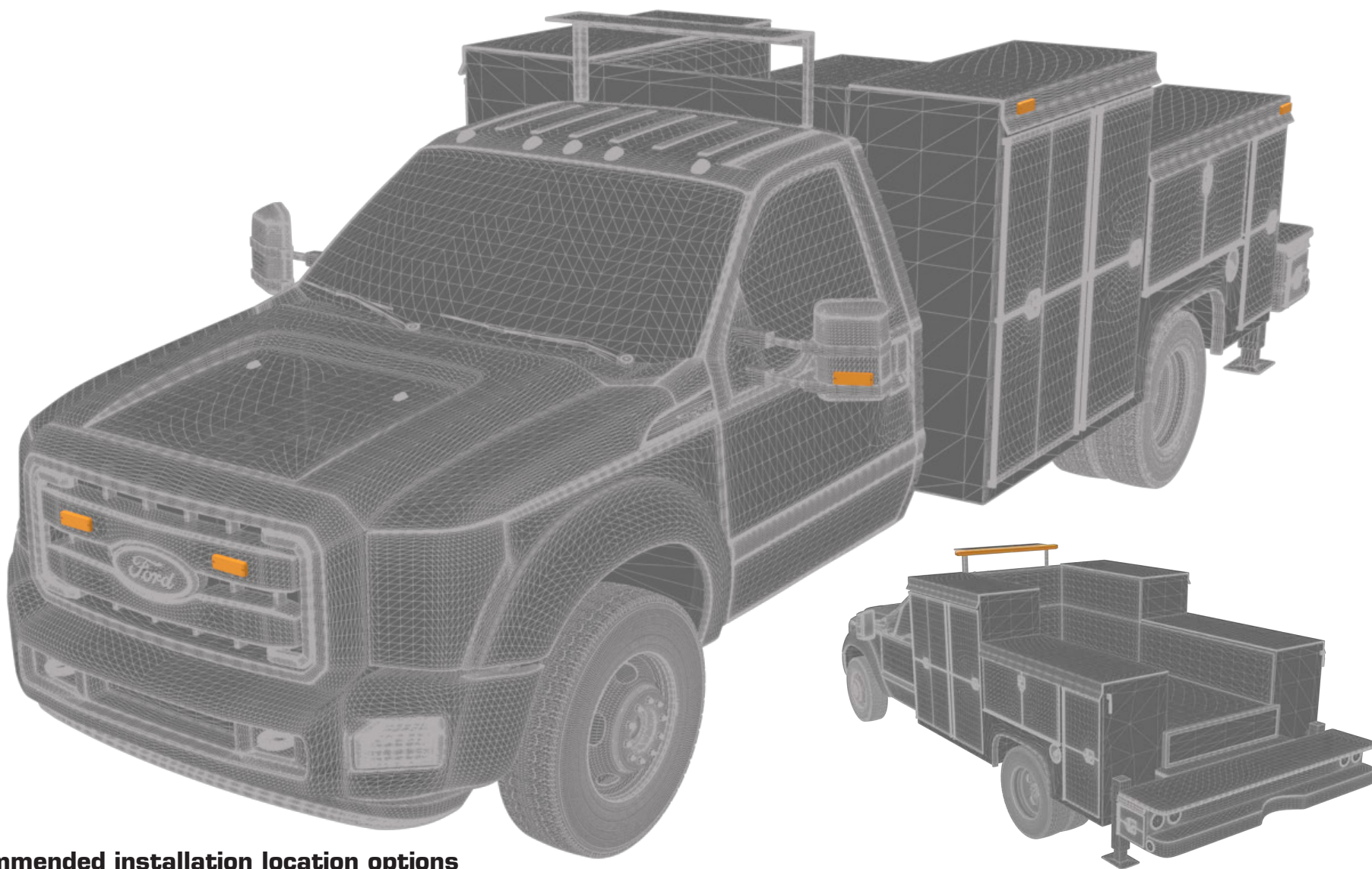
Amber, Clear/Amber/Amber, Clear/Amber/Clear & Clear/Clear/Clear



CAA models = clear lens / amber illumination | CAC models = clear lens / amber and clear illumination | CCC models = clear lens / clear illumination

Where applicable, change A in part number to available color

DIRECTIONAL WARNING



Recommended installation location options

UTILITY SOLUTIONS



- # **ED3701A** Solid- or split-color
C Amber
V 12-24
A 0.8
X 2 Bolt
 ☑ SAE J595 Class I
 California Title 13, R65, R10
 ⌚ 3 Year

AVAILABLE COLORS

Amber, Blue, Clear, Green, Red, Amber/Blue, Amber/Clear, Amber/Green, Amber/Red, Blue/Clear, Red/Blue & Red/Clear



- # **ED3706A** Solid- or split-color
C Amber
V 12-24
A 0.9
X Multi-Mount (surface, tilt bracket, self-adhesive, edge)
 ☑ SAE J595 Class I, California Title 13, R65, R10, IP67
 ⌚ 3 Year

AVAILABLE COLORS

Amber, Blue, Clear, Green, Red, Amber/Blue, Amber/Clear, Amber/Green, Amber/Red, Red/Blue



- # **3811A**
C Amber
V 12-24
A 0.4
X 2 Bolt
 ☑ SAE J595 Class I
 CE, R10
 ⌚ 3 Year

AVAILABLE COLORS

Amber, Blue, Clear & Red



- # **3861A**
 Amber
 12-24
 0.4
 Grommet
 SAE J595 Class I
 CE, R10
 3 Year



- # **3510A**
C Amber
V 12-24
A 0.75
X 2 Bolt
 ☑ SAE J595 Class I
 California Title 13, CE, R10
 ⌚ 5 Year

AVAILABLE COLORS

Amber, Blue, Clear, Green & Red



- # **3703A / 3704A / 3705A**
C Amber
V 12-24
A 0.5
X 2 Bolt
 ☑ SAE J595 Class I, R10
 ⌚ 3 Year

AVAILABLE COLORS

Amber, Blue, Clear, Green & Red



- # **ED3702AC** Dual-color
C Amber/Clear
V 12-24
A 0.6
X 2 Bolt
 ☑ SAE J595 Class I
 California Title 13, R65, R10
 ⌚ 3 Year

AVAILABLE COLORS

Amber/Blue, Amber/Clear, Amber/Green, Amber/Red, Blue/Clear, Red/Blue & Red/Clear



- # **ED3712AC** Dual-color
C Amber/Clear
V 12-24
A 0.9
X Multi-Mount (surface, tilt bracket, self-adhesive, edge)
 ☑ SAE J595 Class I, California Title 13, R65, R10
 ⌚ 3 Year

AVAILABLE COLORS

Amber/Blue, Amber/Clear, Amber/Green, Amber/Red, Blue/Clear, Red/Blue & Red/Clear



- # **9014A** *Hide-A-LED*
C Amber
T 6 LEDs
 1 Head
V 12-24
A 0.9
X 2 Bolt
 ☑ CE, R10, IP67
 ⌚ 2 Year

AVAILABLE COLORS

Amber, Blue, Clear & Red

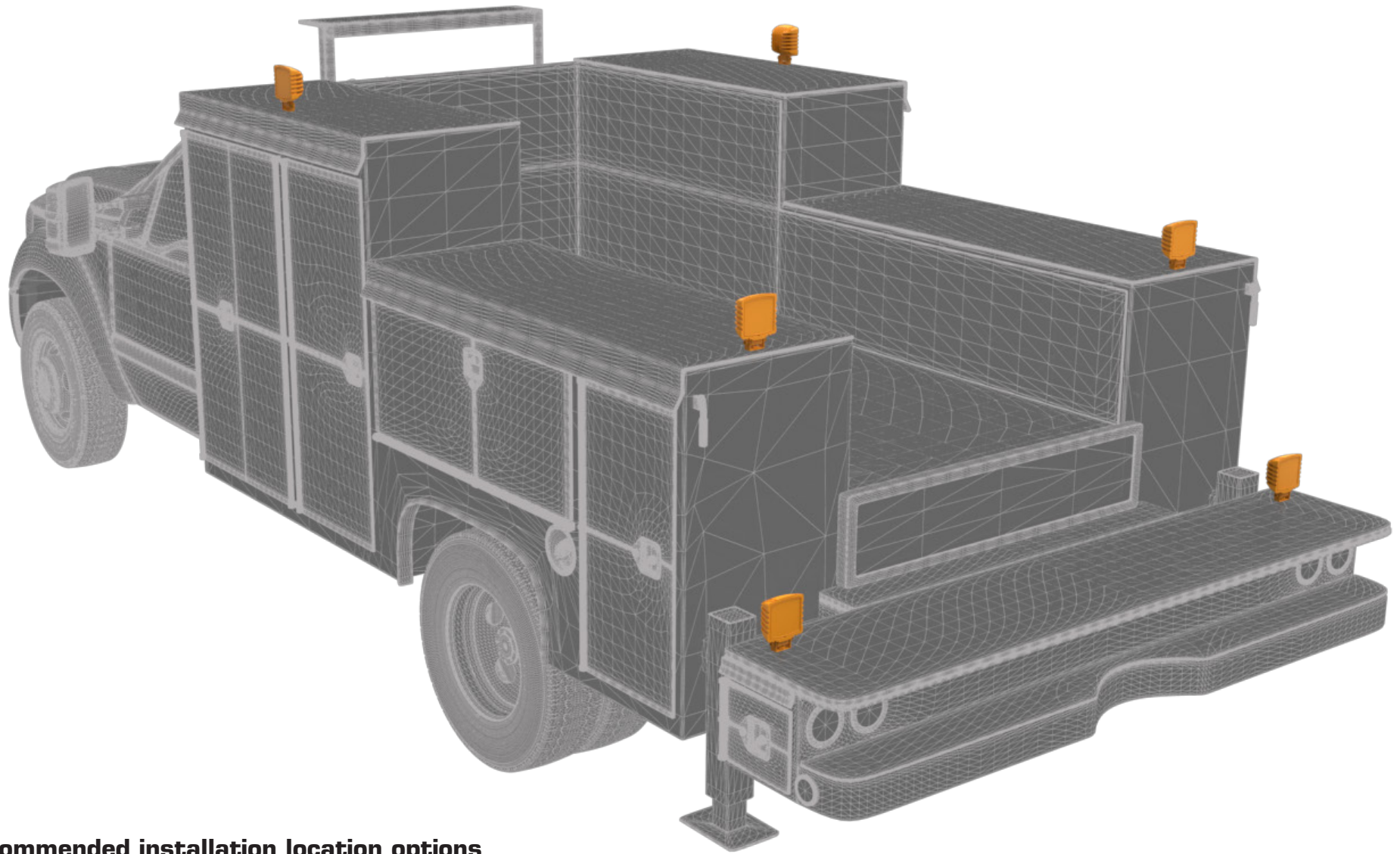


- # **3410A** *Safety Director*
C Amber
 Ⓞ 15'
V 12
A 1.6
 ☑ SAE J595 Class I
 CE, R10
 ⌚ 3 Year

Synchronization Capable

Where applicable, change A in part number to available color

WORKLAMPS



Recommended installation location options

UTILITY SOLUTIONS



EW2471
 V 12-24
 A 1.2
 L 550 Raw, 500 Effective
 Flood
 CE, R10, IP67
 3 Year



EW2481
 V 12-24
 A 1.2
 L 600 Raw, 600 Effective
 Flood
 CE, R10, IP67
 3 Year



EW2491
 V 12-24
 A 1.2
 L 550 Raw, 450 Effective
 Flood
 CE, R10, IP67
 3 Year



E92004
 V 12-24
 A 0.6
 L 800 Raw, 700 Effective
 Flood
 CE, R10
 2 Year



E92006
 V 12-24
 A 1.3
 L 1300 Raw, 1200 Effective
 Flood
 CE
 2 Year




E92007
 V 12-24
 A 0.7
 L 750 Raw, 700 Effective
 Flood
 CE
 2 Year



EW2461CA-NA
 C Clear / Amber
 V 12-24
 L 650 Raw, 600 Effective (clear)
 Flood
 1 Year



EW2102 
 V 12-24
 A 2.6
 L 2000 Raw, 1600 Effective
 Flood
 CE, R10, IP67
 3 Year



EW2411
 V 12-24
 A 1.3
 L 1000 Raw, 900 Effective
 Flood
 IP67, CE, R10
 3 Year



EW2421
 V 12-24
 A 2
 L 2400 Raw, 2200 Effective
 Flood
 IP67, CE
 3 Year



EW2431
 V 12-24
 A 3.1
 L 2600 Raw, 2100 Effective
 Flood
 IP67, CE
 3 Year

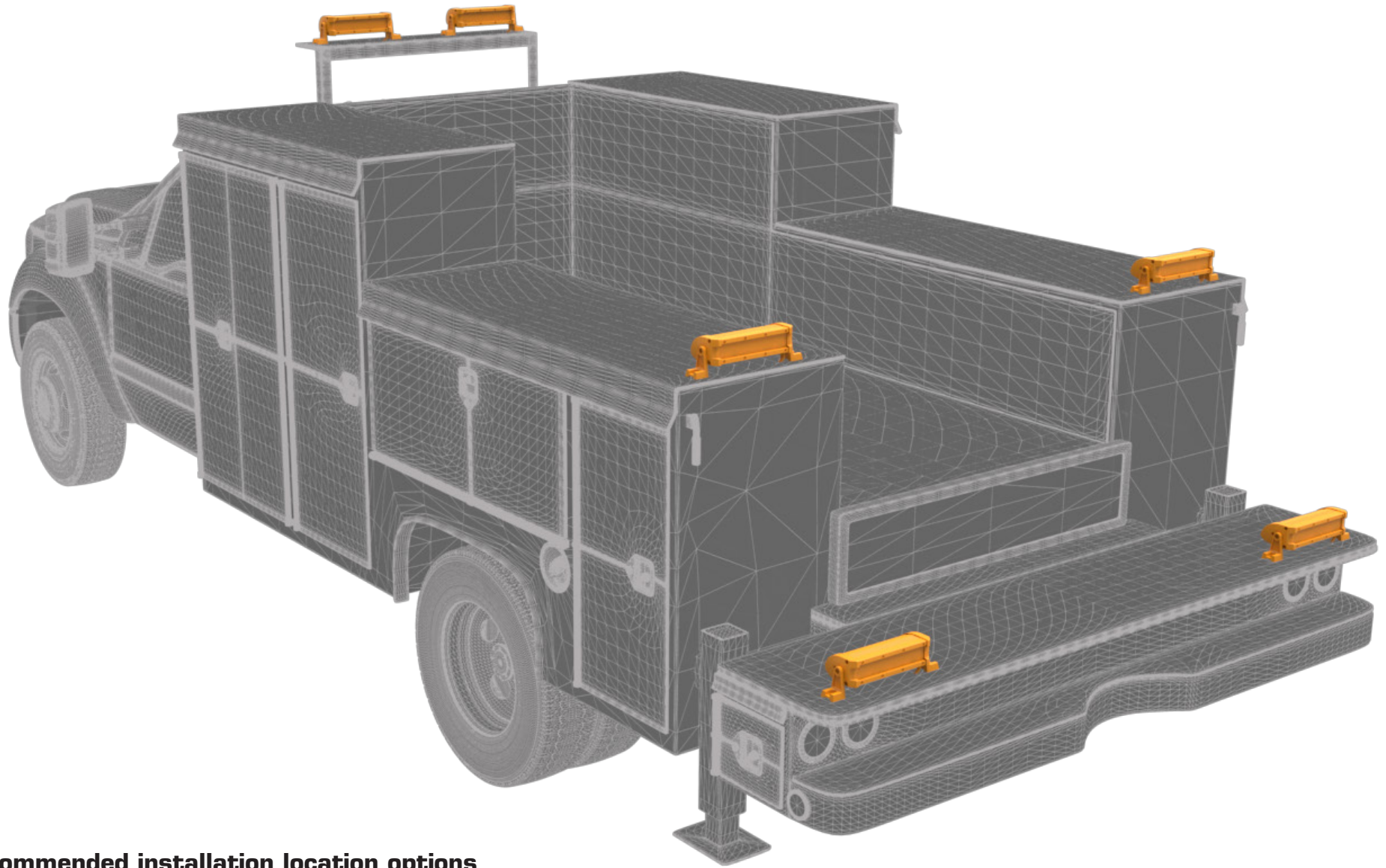


EW2450
 V 12-24
 A 2.2
 L 1300 Raw, 1100 Effective
 Spot
 CE
 3 Year



EW2451
 V 12-24
 A 2.2
 L 1300 Raw, 1100 Effective
 Flood
 CE
 3 Year

UTILITY BARS



Recommended installation location options

UTILITY SOLUTIONS



- # EW3108-F
- T 8" Single Row
- V 12-24
- A 1.9
- L 1100 Raw, 1000 Effective
- Flood
- IP67, R10
- 3 Year



- # EW3114
- T 14" Single Row
- V 12-24
- A 5.7
- L 3350 Raw, 2600 Effective
- Flood / Spot Combo
- IP67, R10
- 3 Year



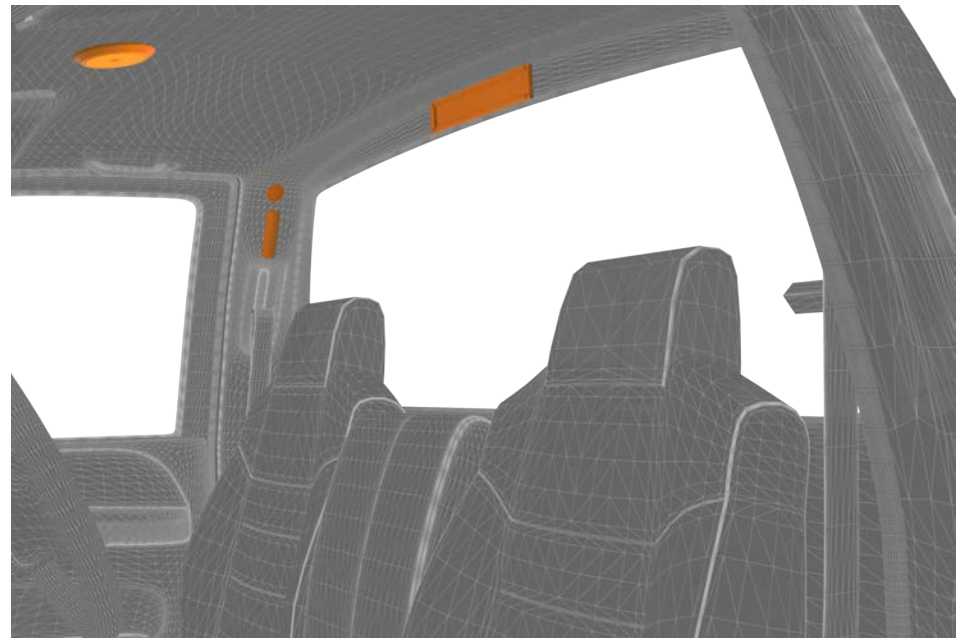
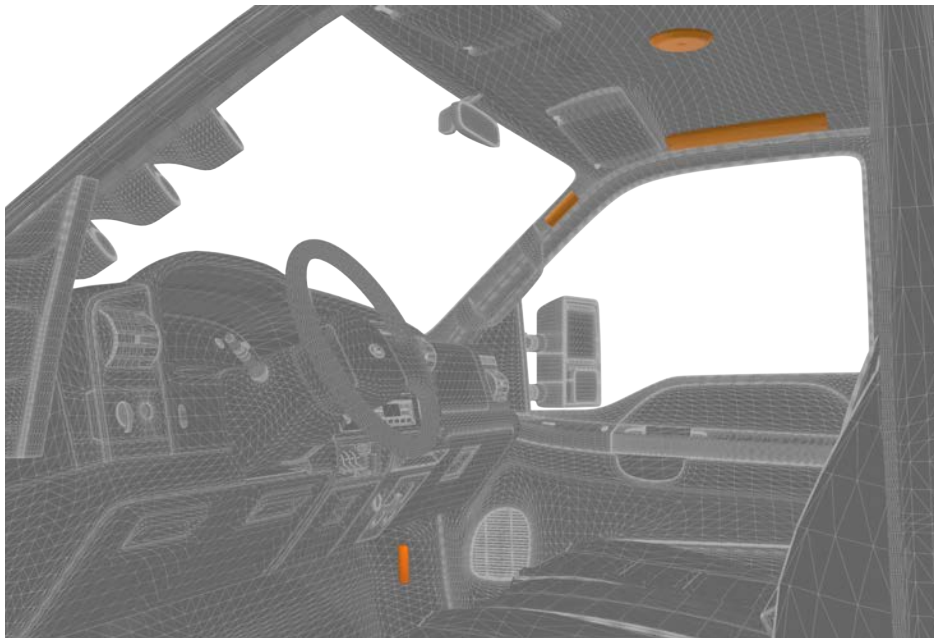
- # EW3208-F
- T 8" Double Row
- V 12-24
- A 3.8
- L 2150 Raw, 1950 Effective
- Flood
- IP67, R10
- 3 Year



- # EW3214
- T 14" Double Row
- V 12-24
- A 9.3
- L 6700 Raw, 4800 Effective
- Flood / Spot Combo
- IP67, R10
- 3 Year

Additional utility bar lengths & configurations available

INTERIOR LIGHTING



Recommended installation location options

UTILITY SOLUTIONS

Strip Lighting



12"

EW0116

- T 18 LED
- V 12
- A 0.4
- L 350 Raw, 350 Effective
- Flood
- CE, RoHS, IP65
- 3 Year



24"

EW0117

- T 36 LED
- V 12
- A 0.7
- L 700 Raw, 700 Effective
- Flood
- CE, RoHS, IP65
- 3 Year

ACCESSORIES

EZ0120 PIR Motion Sensor - 110° cone, adjustable sensitivity (automatically activates light when human movement is detected)



Interior Lighting



4.5" CLEAR

EW0310

- T 4 LED
- V 12-24
- A 0.1
- L 100 Raw, 100 Effective
- Flood
- CE, RoHS
- 3 Year



7" CLEAR

EW0320

- T 8 LED
- V 12-24
- A 0.1
- L 200 Raw, 200 Effective
- Flood
- CE, RoHS,
- 3 Year



14" MODULAR FROST

EW0351

- T 16 LED
- V 12
- A 0.5
- L 300 Raw, 250 Effective
- Flood
- CE, RoHS
- 3 Year



CONNECT MULTIPLE UNITS TOGETHER



Multiple lengths available



5.5"

EW0200

- T 72 LED
- V 12-24
- A 0.4
- L 400 Raw, 400 Effective
- Flood Amplia
- CE, RoHS
- 3 Year



5.5"

EW0400

- T 10 LED
- V 12-24
- A 0.4
- L 200 Raw, 200 Effective
- Flood
- CE, R10, RoHS, IP64
- 3 Year



12"

EW0401

- T 22 LED
- V 12-24
- A 0.7
- L 450 Raw, 450 Effective
- Flood
- CE, R10, RoHS, IP64
- 3 Year



13"

EW0700

- T 6 LED
- V 12-24
- A 0.5
- L 400 Raw, 350 Effective
- Flood
- CE, RoHS
- 3 Year

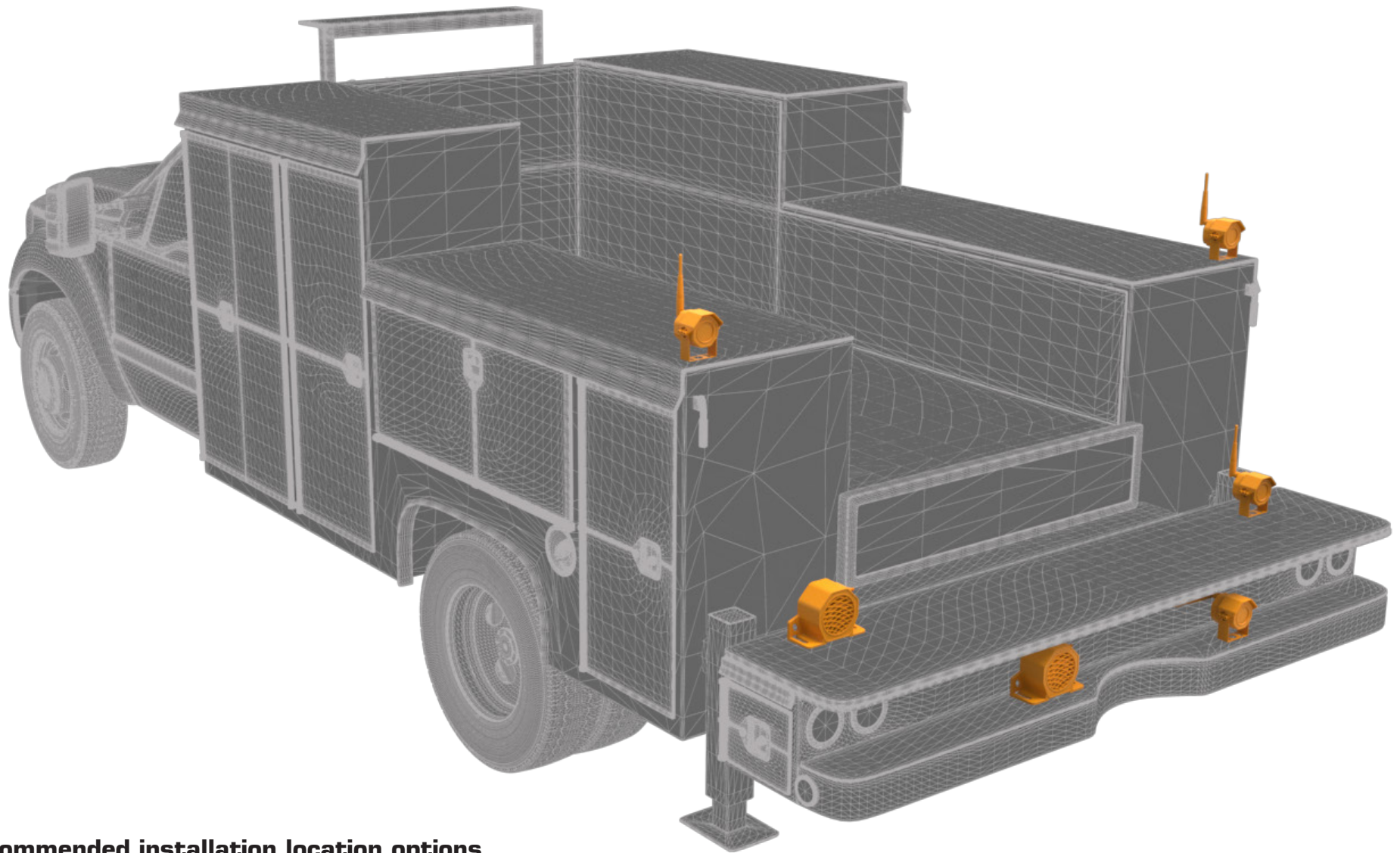


22"

EW0701

- T 12 LED
- V 12-24
- A 0.9
- L 1250 Raw, 1200 Effective
- Flood
- CE, RoHS
- 3 Year

REVERSING SAFETY



Recommended installation location options

UTILITY SOLUTIONS

Back-Up Alarms



- # 510
- T SRC*
- V 12
- dB(A) 97
- A 0.2
- X 2 Bolt
- ☑ SAE J994 Type C, CE, R10, UL, AMECA, IP65
- 🕒 2 Year

- # 530
- T SRC*
- V 12-24
- dB(A) 102
- A 1.0
- X 2 Bolt
- ☑ SAE J994 Type F CE, R10, UL, IP65
- 🕒 2 Year

- # SA950 SMART ALARM
- V 12-24
- dB(A) 82-102
- A 0.4
- X 2 Bolt
- ☑ CE, R10, UL, IP65
- 🕒 2 Year



- # 415
- V 12-24
- dB(A) 97
- A 0.2
- X Grommet
- ☑ SAE J994 Type C, CE, R10
- 🕒 2 Year

- # SA955 SMART ALARM
- V 12-24
- dB(A) 82-102
- A 0.4
- X Grommet
- ☑ CE, R10
- 🕒 2 Year

Multi-Frequency Alarm



- # EA5200 MULTI FREQUENCY
- V 12-24
- dB(A) 97
- A 1.0
- X 2 Bolt
- ☑ SAE J994 Type C CE, R10, AMECA
- 🕒 2 Year

Camera Systems



- EC5603-K** *Geminye*
- 5.6" LCD color system
 - Touchscreen menu control
 - CMOS 11 LED infrared camera
 - Includes monitor sunshade
 - Three camera expandable
 - One year warranty



- EC5605-WK** *Geminye*
- 5.6" LCD color system
 - 2.4 GHz digital wireless system
 - Touchscreen menu control
 - CMOS 11 LED infrared camera
 - 2 Bolt
 - Includes monitor sunshade
 - Four camera expandable
 - One year warranty



- K7000B** *Geminye*
- 7" LCD color system
 - CMOS 18 LED infrared camera
 - Includes monitor sunshade
 - Two camera expandable
 - One year warranty



- EC7000-QK** *Geminye*
- 7" Quad view LCD color system
 - Quad view, split screen
 - CMOS 11 LED infrared camera
 - Four camera expandable
 - One year warranty



- EC7003-K** *Geminye*
- 7" LCD color system
 - Touchscreen menu control
 - CMOS 11 LED infrared camera
 - Includes monitor sunshade
 - Three camera expandable
 - One year warranty



TOW SOLUTIONS

GETTING THE JOB DONE

SAFELY



At ECCO, we appreciate just how dangerous the towing industry can be. Tow truck operators work all hours of the day and night in all kinds of weather. Your "office" is usually the side of a busy highway—a potentially life threatening place to be. Aside from the threat of inattentive drivers, the task of loading disabled vehicles onto wreckers poses its own risks. And those loaded vehicles limit rear visibility which can increase the likelihood of a collision.

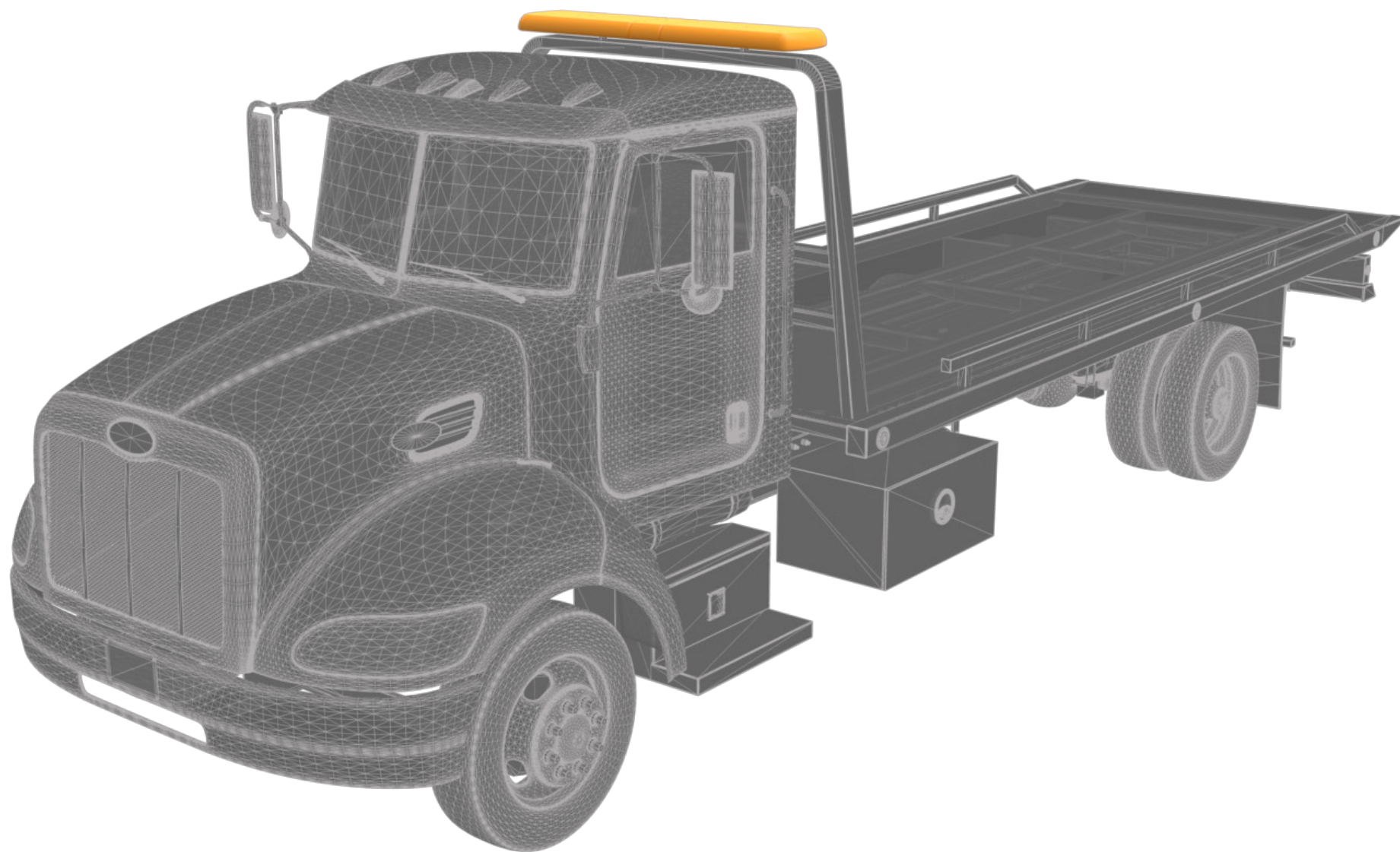
ECCO offers an extensive line of safety solutions that are ideally suited to tow vehicles. Our high-intensity LED warning lights notify approaching drivers of a hazard, while our range of worklamps ensures that you can see clearly, even in the lowest visibility situations. ECCO's reversing safety solutions include back-up alarms to warn other drivers and pedestrians when you're reversing and camera systems to help you avoid obstacles. We make it our job to offer warning equipment to help minimize the risk of personal injury and property damage.



**Read on to learn about
specially selected products for
tow trucks, large and small.**



LIGHTBARS



Recommended installation location

TOW SOLUTIONS

12 Series VANTAGE

SAE Class I LED Lightbar



54" # 12-00005-E

- C** Amber
- T** 16 LEDs, 2 WL, 2 AL, 2 STT
- V** 12-24
- A** 11.0
- ☑ SAE J845 Class I, California Title 13, CE, R10
- 🕒 3 Year



60" # 12-00006-E

- C** Amber
- T** 16 LEDs, 2 WL, 2 AL, 2 STT
- V** 12-24
- A** 11.0
- ☑ SAE J845 Class I, California Title 13, CE, R10
- 🕒 3 Year



54" # 12-00007-E

- C** Amber
- T** 10 LEDs, 2 WL, 2 STT
- V** 12-24
- A** 6.5
- ☑ SAE J845 Class I, California Title 13, CE, R10
- 🕒 3 Year

14 Series AXIOS

SAE Class I Modular LED Lightbar



54" # 14-00002-E

- C** Amber
- T** 12 LEDs, 2 WL, 2 AL, 2 STI, 1 Safety Director
- V** 12-24
- A** 17.5
- ☑ SAE J845 Class I, Cal. Title 13, R65, R10, R6 & R7
- 🕒 5 Year



60" # 14-00003-E

- C** Amber
- T** 14 LEDs, 2 WL, 2 AL, 2 STI
- V** 12-24
- A** 16.8
- ☑ SAE J845 Class I, Cal. Title 13, R65, R10, R6 & R7
- 🕒 5 Year



54" # 14-00007-E

- C** Amber
- T** 10 LEDs, 2 WL, 2 STI
- V** 12-24
- A** 11.4
- ☑ SAE J845 Class I, Cal. Title 13, R65, R10, R6 & R7
- 🕒 5 Year

21 Series

SAE Class I LED Lightbar



52" # 21-00007-E

- C** Amber
- T** 10 LEDs, 2 STI, 2 WL
- V** 12
- A** 8.0
- ☑ SAE J845 Class I, Cal. Title 13
- 🕒 5 Year



58" # 21-00008-E

- C** Amber
- T** 12 LEDs, 2 STI, 2 WL
- V** 12
- A** 9.0
- ☑ SAE J845 Class I, Cal. Title 13
- 🕒 5 Year



27 Series

SAE Class I LED Lightbar

58" # 27-00007-E

- C** Amber
- T** 10 LEDs, 2 STI, 2 WL
- V** 12
- A** 8.0
- ☑ SAE J845 Class I, Cal. Title 13
- 🕒 5 Year

AVAILABLE COLORS (12, 14, & 21 Series)

Amber, Blue, Green, Red & White



Custom configurations available

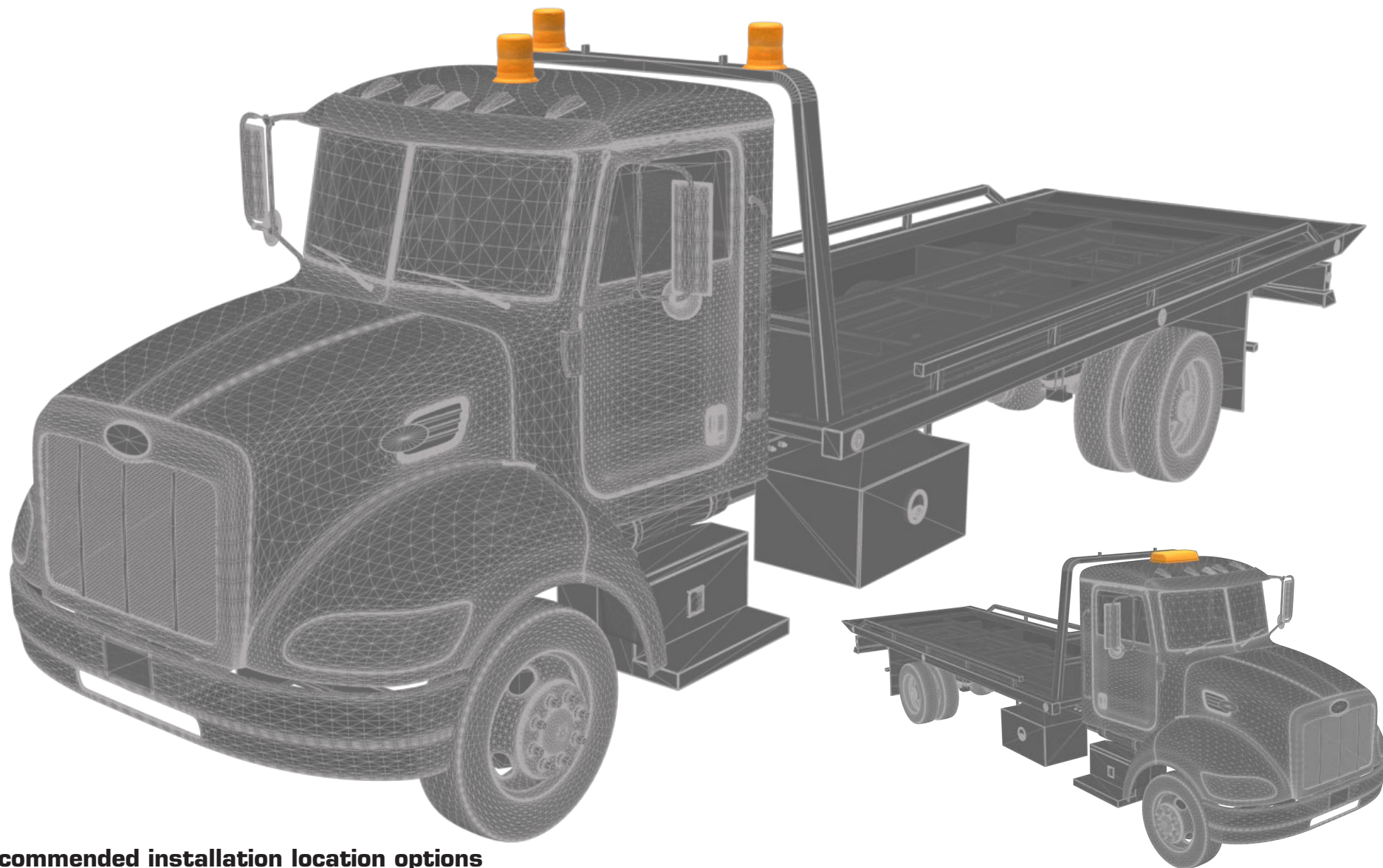
AVAILABLE COLORS (27 Series)

Amber, Blue, Red & White



Custom configurations available

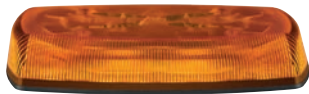
360° WARNING



Recommended installation location options

TOW SOLUTIONS

Minibars



- # 5585A REFLEX**
C Amber
V 12-24
A 5.1
X 4 Bolt
⊕ SAE J845 Class I, CE, R10, IP65
⌚ 3 Year

AVAILABLE COLORS

Amber, Blue, Clear, Green, Red & Amber/Clear (MG models amber illumination only)



- # 5587A REFLEX**
C Amber
V 12-24
A 5.1
X 4 Bolt
⊕ SAE J845 Class I, CE, R10, IP65
⌚ 3 Year

AVAILABLE COLORS

Amber, Clear, Amber/Clear (MG models amber & amber/clear only)



- # 5590A REFLEX**
C Amber
V 12-24
A 6.0
X 4 Bolt
⊕ SAE J845 Class I California Title 13, CE, R10, IP65
⌚ 3 Year

AVAILABLE COLORS

Amber, Blue, Clear, Green & Red (MG models amber & amber/clear only)



- # 5597A REFLEX**
C Amber
V 12-24
A 6.0
X 4 Bolt
⊕ SAE J845 Class I, California Title 13, CE, R10, IP65
⌚ 3 Year

AVAILABLE COLORS

Amber, Clear, Amber/Clear (MG models amber & amber/clear only)



Beacons



- # 7965A**
C Amber
V 12-24
A 3.6
X 3 Bolt / 1" Pipe
⊕ SAE J845 Class I, CE, R10
⌚ 2 Year

AVAILABLE COLORS (7900 SERIES)

Amber, Blue, Clear, Green & Red



CA models = clear lens / amber illumination | CC models = clear lens / clear illumination



- # 7970A**
C Amber
V 12-24
A 3.6
X 3 Bolt / 1" Pipe
⊕ SAE J845 Class I, CE, R10
⌚ 2 Year



- # EB7180A**
C Amber
V 12-24
A 6.2
X 3 Bolt / 1" Pipe
⊕ SAE J845 Class I, Cal. Title 13, R10, IP55, AMECA
⌚ 3 Year

AVAILABLE COLORS (EB7180 / EB7185)

Amber, Clear/Amber/Amber, Clear/Amber/Clear & Clear/Clear/Clear



CAA models = clear lens / amber illumination | CAC models = clear lens / amber and clear illumination | CCC models = clear lens / clear illumination



- # EB7180A-VM**
C Amber
V 12-24
A 6.2
X Vacuum-Magnet
⊕ SAE J845 Class I, Cal. Title 13, R10, IP55, AMECA
⌚ 3 Year



- # EB7185A Dual-color**
C Amber
V 12-24
A 8.6
X 3 Bolt / 1" Pipe
⊕ SAE J845 Class I, Cal. Title 13, R10, IP55, AMECA
⌚ 3 Year



- # EB7185A-VM Dual-color**
C Amber
V 12-24
A 8.6
X Vacuum-Magnet
⊕ SAE J845 Class I, Cal. Title 13, R10, IP55, AMECA
⌚ 3 Year

DIRECTIONAL LEDs



Recommended installation location options

TOW SOLUTIONS



- # **ED3701A** Solid- or split-color
C Amber
V 12-24
A 0.8
X 2 Bolt
 SAE J595 Class I
 California Title 13, R65, R10
 3 Year

AVAILABLE COLORS

Amber, Blue, Clear, Green, Red, Amber/Blue, Amber/Clear, Amber/Green, Amber/Red, Blue/Clear, Red/Blue & Red/Clear



- # **ED3706A** Solid- or split-color
C Amber
V 12-24
A 0.9
X Multi-Mount (surface, tilt bracket, self-adhesive, edge)
 SAE J595 Class I, California Title 13, R65, R10, IP67
 3 Year

AVAILABLE COLORS

Amber, Blue, Clear, Green, Red, Amber/Blue, Amber/Clear, Amber/Green, Amber/Red, Red/Blue



- # **3510A**
C Amber
V 12-24
A 0.75
X 2 Bolt
 SAE J595 Class I
 California Title 13, CE, R10
 5 Year

AVAILABLE COLORS

Amber, Blue, Clear, Green & Red



- # **ED3702AC** Dual-color
C Amber/Clear
V 12-24
A 0.6
X 2 Bolt
 SAE J595 Class I
 California Title 13, R65, R10
 3 Year

AVAILABLE COLORS

Amber/Blue, Amber/Clear, Amber/Green, Amber/Red, Blue/Clear, Red/Blue & Red/Clear



- # **ED3712AC** Dual-color
C Amber/Clear
V 12-24
A 0.9
X Multi-Mount (surface, tilt bracket, self-adhesive, edge)
 SAE J595 Class I, California Title 13, R65, R10
 3 Year

AVAILABLE COLORS

Amber/Blue, Amber/Clear, Amber/Green, Amber/Red, Blue/Clear, Red/Blue & Red/Clear



- # **9014A** Hide-A-LED
C Amber
T 6 LEDs
 1 Head
V 12-24
A 0.9
X 2 Bolt
 CE, R10, IP67
 2 Year

AVAILABLE COLORS

Amber, Blue, Clear & Red



- # **3703A / 3704A / 3705A**
C Amber
V 12-24
A 0.5
X 2 Bolt
 SAE J595 Class I, R10
 3 Year

AVAILABLE COLORS

Amber, Blue, Clear, Green & Red

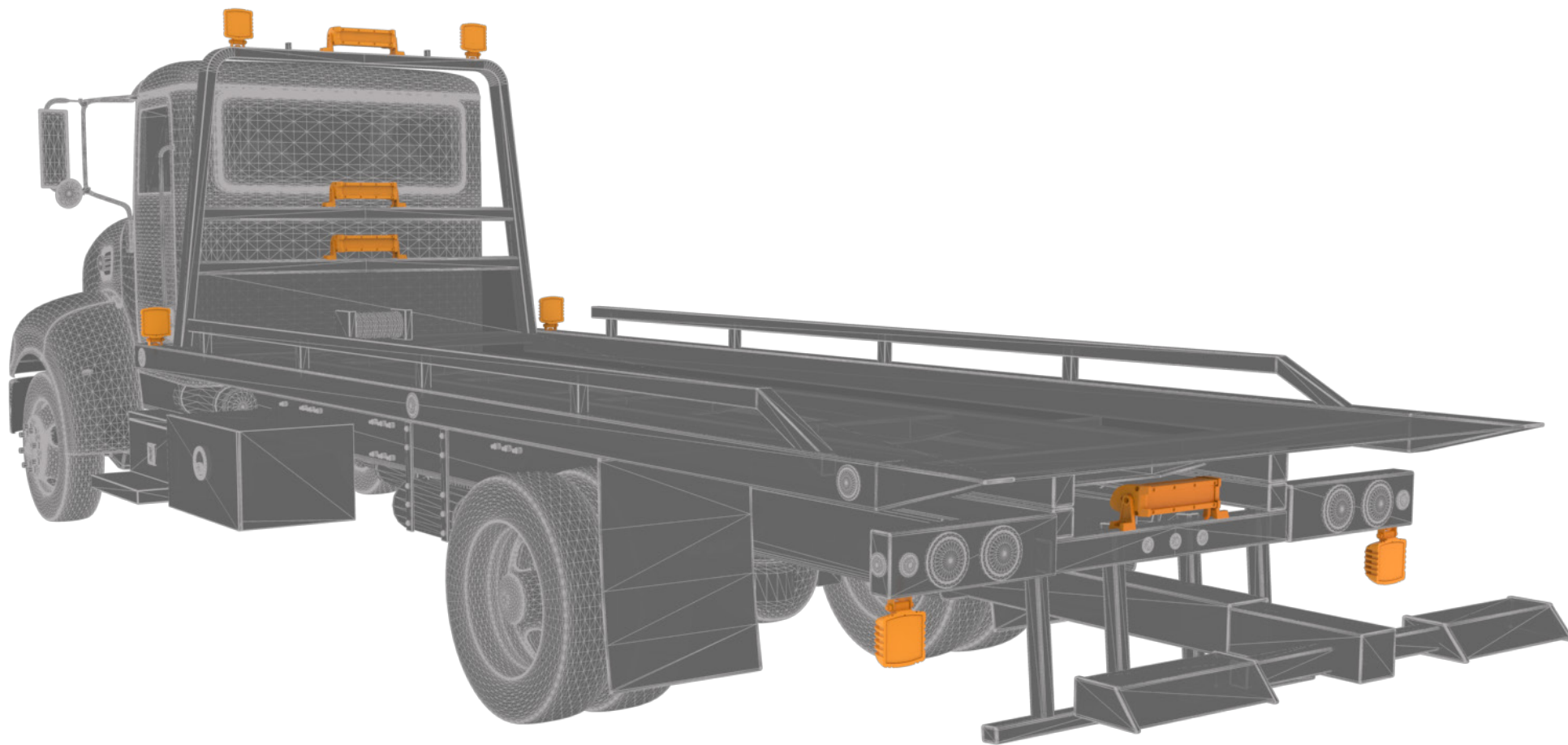


(3704 & 3705 only)

Synchronization Capable

Where applicable, change A in part number to available color

WHITE LIGHTING



Recommended installation location options

TOW SOLUTIONS

Worklamps



- # E92006
- V 12-24
- A 1.3
- L 1300 Raw, 1200 Effective
- Flood
- CE
- 2 Year



- # E92013
- V 12-24
- A 0.9
- L 650 Raw, 600 Effective
- Flood
- CE
- 1 Year



- # EW2411
- V 12-24
- A 1.3
- L 1000 Raw, 900 Effective
- Flood
- IP67, CE, R10
- 3 Year




- # EW2450
- V 12-24
- A 2.2
- L 1300 Raw, 1100 Effective
- Spot
- CE
- 3 Year



- # EW2451
- V 12-24
- A 2.2
- L 1300 Raw, 1100 Effective
- Flood
- CE
- 3 Year



- # EW2102 
- V 12-24
- A 2.6
- L 2000 Raw, 1600 Effective
- Flood
- CE, R10, IP67
- 3 Year



- # EW2461CA-NA
- V Clear / Amber
- A 12-24
- L 650 Raw, 600 Effective (clear)
- Flood
- 1 Year

Utility Bars



- # EW3108-F
- T 8" Single Row
- V 12-24
- A 1.9
- L 1100 Raw, 1000 Effective
- Flood
- IP67, R10
- 3 Year



- # EW3208-F
- T 8" Double Row
- V 12-24
- A 3.8
- L 2150 Raw, 1950 Effective
- Flood
- IP67, R10
- 3 Year



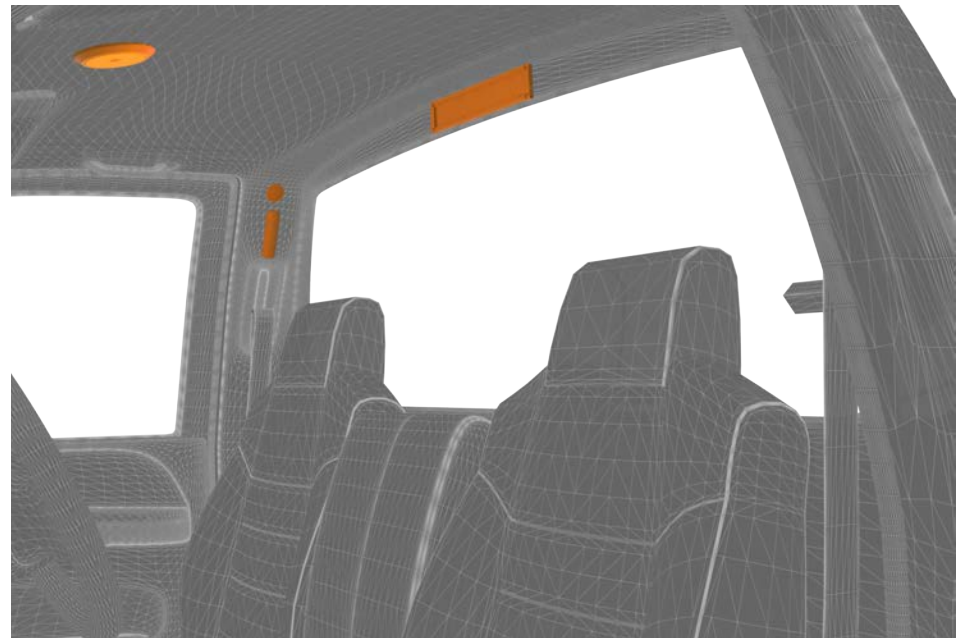
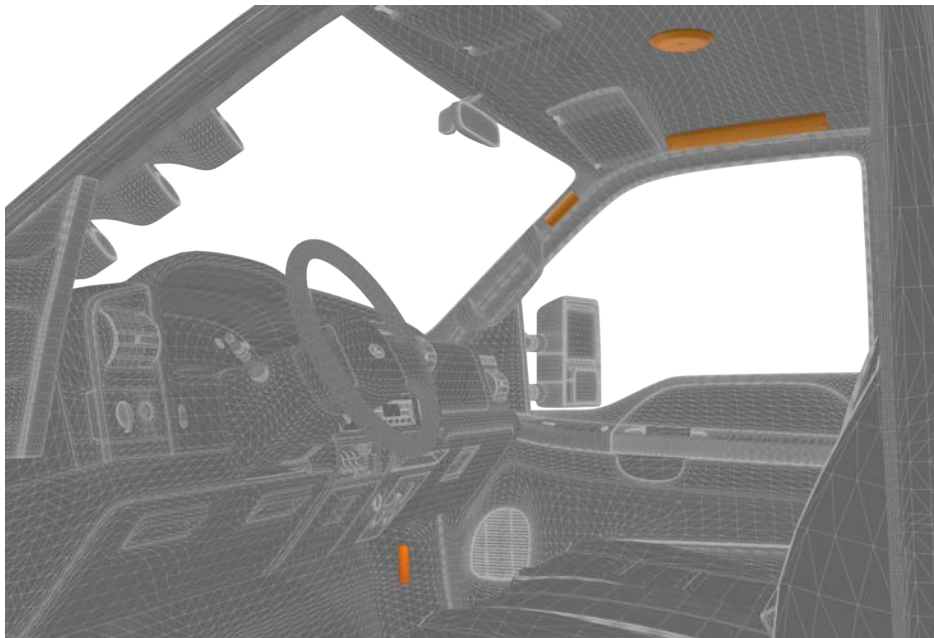
- # EW3114
- T 14" Single Row
- V 12-24
- A 5.7
- L 3350 Raw, 2600 Effective
- Flood / Spot Combo
- IP67, R10
- 3 Year



- # EW3214
- T 14" Double Row
- V 12-24
- A 9.3
- L 6700 Raw, 4800 Effective
- Flood / Spot Combo
- IP67, R10
- 3 Year

Additional utility bar lengths & configurations available




INTERIOR LIGHTING






Recommended installation location options

Strip Lighting



- 12"**
EW0116
T 18 LED
V 12
A 0.4
L 350 Raw, 350 Effective
 Flood
 CE, RoHS, IP65
 3 Year



- 24"**
EW0117
T 36 LED
V 12
A 0.7
L 700 Raw, 700 Effective
 Flood
 CE, RoHS, IP65
 3 Year



ACCESSORIES

EZ0120 PIR Motion Sensor - 110° cone, adjustable sensitivity (automatically activates light when human movement is detected)






Interior Lighting






- 5.5"**
EW0400
T 10 LED
V 12-24
A 0.4
L 200 Raw, 200 Effective
 Flood
 CE, R10, RoHS, IP64
 3 Year






- 12"**
EW0401
T 22 LED
V 12-24
A 0.7
L 450 Raw, 450 Effective
 Flood
 CE, R10, RoHS, IP64
 3 Year






- 5.5"**
EW0200
T 72 LED
V 12-24
A 0.4
L 400 Raw, 400 Effective
 Flood *Amplia*
 CE, RoHS
 3 Year






- 7"**
EW0500
T 42 LED
V 12-24
A 0.5
L 250 Raw, 200 Effective
 Flood
 CE, R10, RoHS
 3 Year






- 15"**
EW0503
T 108 LED
V 12-24
A 0.8
L 600 Raw, 550 Effective
 Flood
 CE, R10, RoHS
 3 Year

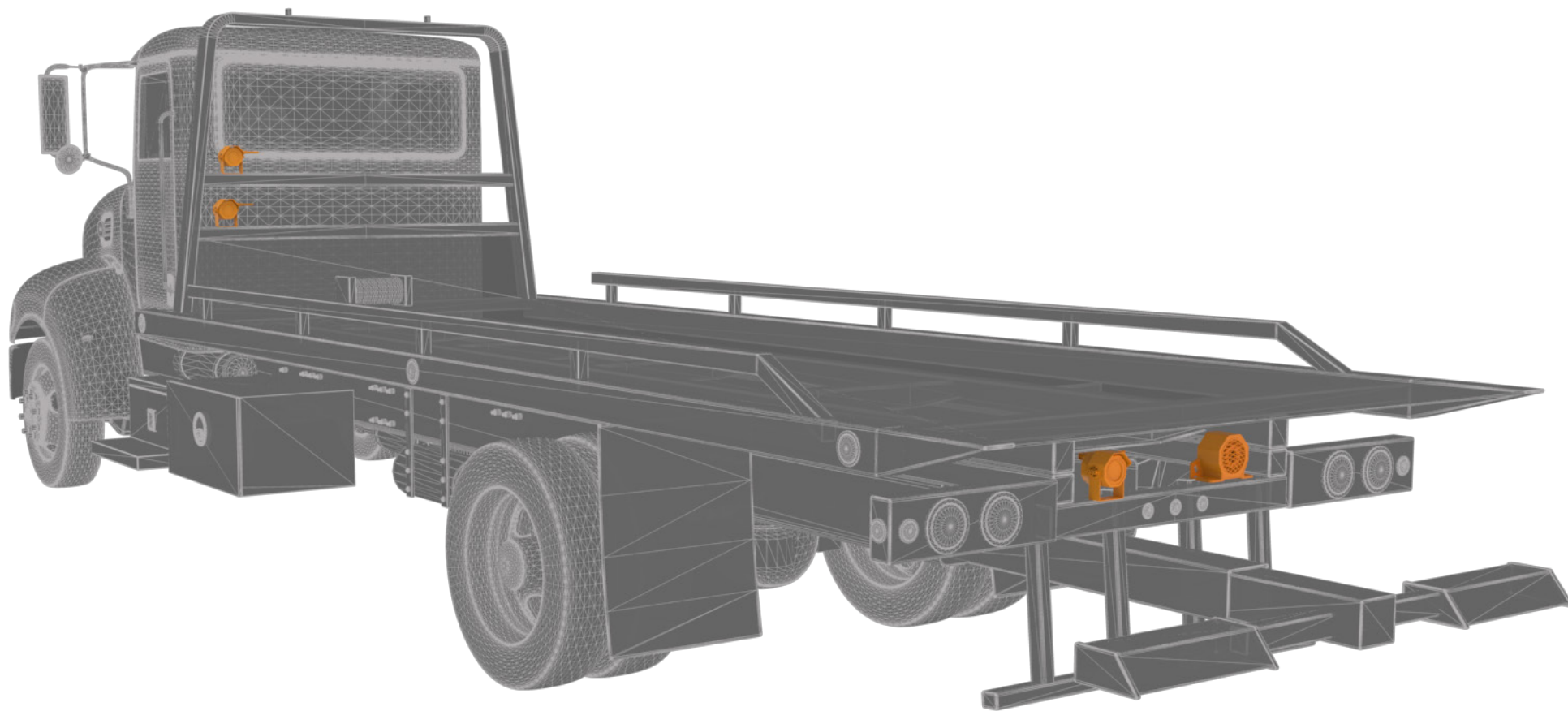


- 13"**
EW0700
T 6 LED
V 12-24
A 0.5
L 400 Raw, 350 Effective
 Flood
 CE, RoHS
 3 Year



- 22"**
EW0701
T 12 LED
V 12-24
A 0.9
L 1250 Raw, 1200 Effective
 Flood
 CE, RoHS
 3 Year

REVERSING SAFETY



Recommended installation location options

Back-Up Alarms



- # 510
- T SRC*
- V 12
- dB(A) 97
- A 0.2
- X 2 Bolt
- Ⓢ SAE J994 Type C, CE, R10, UL, AMECA, IP65
- 🕒 2 Year

- # 530
- T SRC*
- V 12-24
- dB(A) 102
- A 1.0
- X 2 Bolt
- Ⓢ SAE J994 Type F CE, R10, UL, IP65
- 🕒 2 Year

- # SA950 SMART ALARM
- V 12-24
- dB(A) 82-102
- A 0.4
- X 2 Bolt
- Ⓢ CE, R10, UL, IP65
- 🕒 2 Year



- # 415
- V 12-24
- dB(A) 97
- A 0.2
- X Grommet
- Ⓢ SAE J994 Type C, CE, R10
- 🕒 2 Year

- # SA955 SMART ALARM
- V 12-24
- dB(A) 82-102
- A 0.4
- X Grommet
- Ⓢ CE, R10
- 🕒 2 Year

Multi-Frequency Alarm



- # EA5200 MULTI FREQUENCY
- V 12-24
- dB(A) 97
- A 1.0
- X 2 Bolt
- Ⓢ SAE J994 Type C CE, R10, AMECA
- 🕒 2 Year

Camera Systems



EC5603-K *Gemincye*
 5.6" LCD color system
 Touchscreen menu control
 CMOS 11 LED infrared camera
 Includes monitor sunshade
 Three camera expandable
 One year warranty



EC5605-WK *Gemincye*
 5.6" LCD color system
 2.4 GHz digital wireless system
 Touchscreen menu control
 CMOS 11 LED infrared camera
 2 Bolt
 Includes monitor sunshade
 Four camera expandable
 One year warranty



K7000B *Gemincye*
 7" LCD color system
 CMOS 18 LED infrared camera
 Includes monitor sunshade
 Two camera expandable
 One year warranty



EC7000-QK *Gemincye*
 7" Quad view LCD color system
 Quad view, split screen
 CMOS 11 LED infrared camera
 Four camera expandable
 One year warranty



EC7003-K *Gemincye*
 7" LCD color system
 Touchscreen menu control
 CMOS 11 LED infrared camera
 Includes monitor sunshade
 Three camera expandable
 One year warranty



CONSTRUCTION SOLUTIONS



GETTING THE JOB DONE

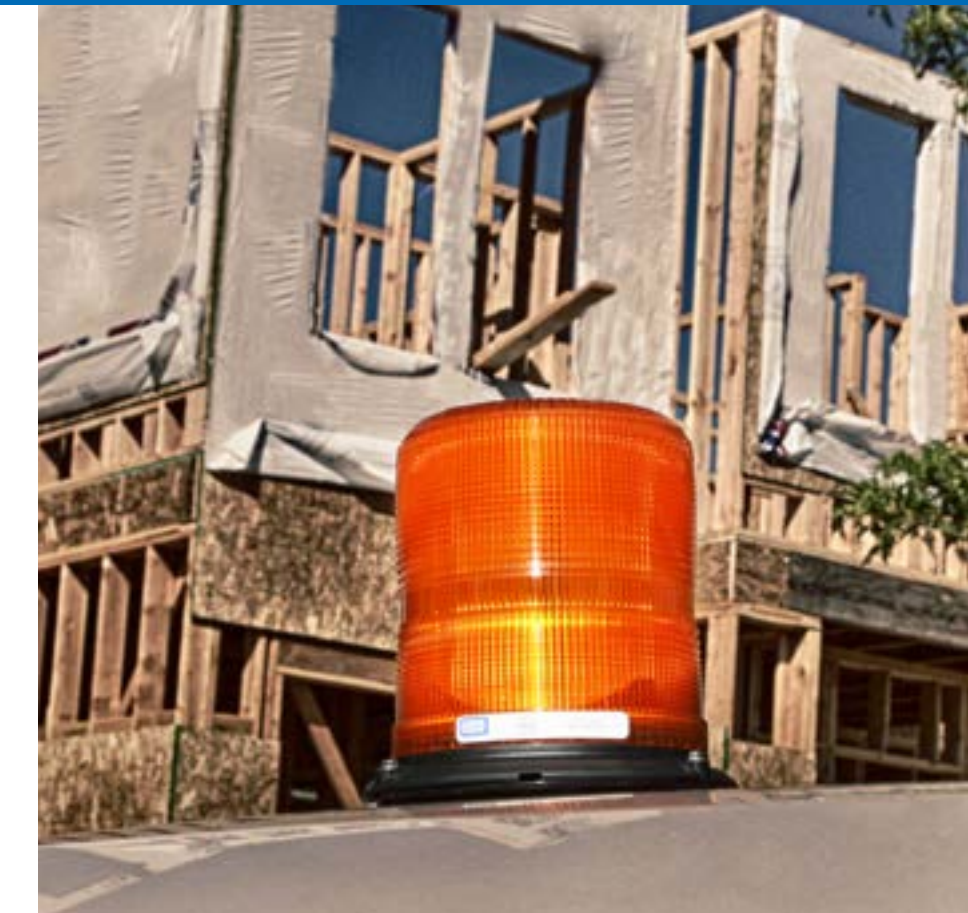
SAFELY

At ECCO, we appreciate just how dangerous the construction industry can be. And we're not just talking about working on high buildings on scaffolding, large amount of exposed electrical wiring, safely handling machinery and tools or hazardous chemicals and minerals like asbestos. We are talking about the inherent danger of operating and working around large construction equipment used to move heavy materials.

Construction sites provide some of the noisiest working conditions in the business. From early in the morning until late in the evening, workers have to be on constant alert for moving objects, working at height, falling or tripping and other potentially deadly hazards. Not only that, but construction sites can usually be found in high-traffic areas that involve speeding cars and inattentive drivers.

ECCO offers an extensive line of safety solutions that are ideally suited for all construction sites and vehicles. Our high-intensity LED warning lights notify vehicles and other site workers of a potential hazard, while our range of worklamps ensures that you can see clearly, even in the lowest visibility situations. ECCO's reversing safety solutions include a variety of back-up alarms including multi-frequency alarms and Smart Alarms suitable for any construction site. To aid with visual impairments caused by large equipment, ECCO offers a fully-integrated line of camera systems that will make operating heavy-duty vehicles safe and stress-free. We make it our job to offer warning equipment to help minimize the risk of personal injury as well as property damage.

Read on to learn about specially selected products for construction equipment, large and small.



LIGHTBARS

CONSTRUCTION SOLUTIONS



Recommended installation location

12 Series **VANTAGE**

SAE Class I LED Lightbar



- 48"** # 12-00001-E
C Amber
T 16 LEDs
V 12-24
A 7.2
 ✓ SAE J845 Class I, California Title 13, CE, R10
 ⌚ 3 Year



- 54"** # 12-00002-E
C Amber
T 16 LEDs
V 12-24
A 7.2
 ✓ SAE J845 Class I, California Title 13, CE, R10
 ⌚ 3 Year



- 60"** # 12-00003-E
C Amber
T 16 LEDs
V 12-24
A 7.2
 ✓ SAE J845 Class I, California Title 13, CE, R10
 ⌚ 3 Year

14 Series **AXIOS**

SAE Class I Modular LED Lightbar



- 48"** # 14-00001-E
C Amber
T 12 LEDs, 2 WL, 2 AL
V 12-24
A 14.4
 ✓ SAE J845 Class I, Cal. Title 13, R65, R10
 ⌚ 5 Year



- 48"** # 14-00006-E
C Amber
T 12 LEDs, 1 Safety Director
V 12-24
A 13.3
 ✓ SAE J845 Class I, Cal. Title 13, R65, R10
 ⌚ 5 Year



- 54"** # 14-00002-E
C Amber
T 12 LEDs, 2 WL, 2 AL, 2 STI, 1 Safety Director
V 12-24
A 17.5
 ✓ SAE J845 Class I, Cal. Title 13, R65, R10, R6 & R7
 ⌚ 5 Year

21 Series

SAE Class I LED Lightbar



- 22"** # 21-00001-E
C Amber
T 4 LEDs
V 12
A 2.0
 ✓ SAE J845 Class I, Cal. Title 13
 ⌚ 5 Year



- 47"** # 21-00005-E
C Amber
T 16 LEDs, 2 AL, 2 WL, 6 Module Safety Director
V 12
A 12.0
 ✓ SAE J845 Class I, Cal. Title 13
 ⌚ 5 Year



- 52"** # 21-00009-E
C Amber
T 16 LEDs, 6 Module Safety Director
V 12
A 8.0
 ✓ SAE J845 Class I, Cal. Title 13
 ⌚ 5 Year

AVAILABLE COLORS (12, 14, & 21 Series)

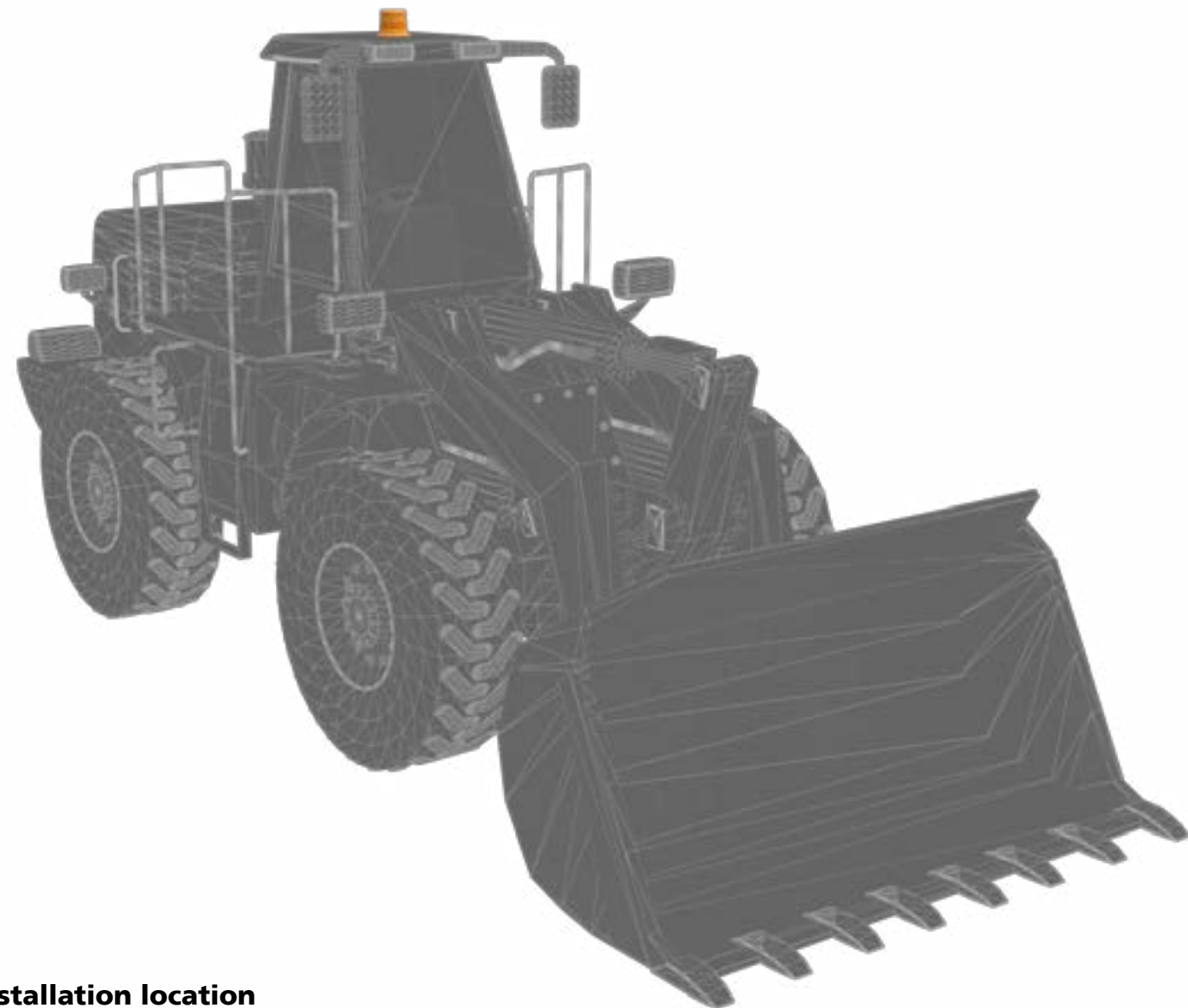
Amber, Blue, Clear, Green & Red



Custom configurations available

360° WARNING

CONSTRUCTION SOLUTIONS



Recommended installation location

Beacons



7945A/7965A
C Amber
V 12-24
A 3.6
 X 3 Bolt / 1" Pipe
 SAE J845 Class I, CE, R10
 2 Year



7950A/7970A
C Amber
V 12-24
A 3.6
 X 3 Bolt / 1" Pipe
 SAE J845 Class I, CE, R10
 2 Year



EB7180A
C Amber
V 12-24
A 6.2
 X 3 Bolt / 1" Pipe
 SAE J845 Class I, Cal. Title 13, R10, IP55, AMECA
 3 Year



EB7180A-VM
C Amber
V 12-24
A 6.2
 X Vacuum-Magnet
 SAE J845 Class I, Cal. Title 13, R10, IP55, AMECA
 3 Year



EB7930A
T Severe Vibration
C Amber
V 12-48
A 1.3
 X 3 Bolt / 1" Pipe
 SAE J845 Class II, CE, R10
 2 Year



EB7935A
T Severe Vibration
C Amber
V 12-48
A 1.3
 X 3 Bolt / 1" Pipe
 SAE J845 Class II, CE, R10
 2 Year



EB7185A *Dual-color*
C Amber
V 12-24
A 8.6
 X 3 Bolt / 1" Pipe
 SAE J845 Class I, Cal. Title 13, R10, IP55, AMECA
 3 Year



EB7185A-VM *Dual-color*
C Amber
V 12-24
A 8.6
 X Vacuum-Magnet
 SAE J845 Class I, Cal. Title 13, R10, IP55, AMECA
 3 Year

AVAILABLE COLORS (7900 SERIES)
 Amber, Blue, Clear, Green & Red



CA models = clear lens / amber illumination | CC models = clear lens / clear illumination

AVAILABLE COLORS (EB7180 / EB7185)
 Amber, Clear/Amber/Amber, Clear/Amber/Clear & Clear/Clear/Clear



CAA models = clear lens / amber illumination
 CAC models = clear lens / amber and clear illumination
 CCC models = clear lens / clear illumination

Where applicable, change A in part number to available color

Minibars



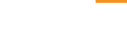
5585A *REFLEX*
C Amber
V 12-24
A 5.1
 X 4 Bolt
 SAE J845 Class I, CE, R10, IP65
 3 Year

AVAILABLE COLORS
 Amber, Blue, Clear, Green, Red & Amber/Clear
 (MG models amber illumination only)



5580A *REFLEX*
C Amber
V 12-24
A 2.7
 X 4 Bolt
 SAE J845 Class II, CE, R10, IP65
 3 Year

AVAILABLE COLORS
 Amber



DIRECTIONAL LEDs



CONSTRUCTION SOLUTIONS



ED3701A Solid- or split-color
C Amber
V 12-24
A 0.8
X 2 Bolt
 SAE J595 Class I
 California Title 13, R65, R10
 3 Year

AVAILABLE COLORS
 Amber, Blue, Clear, Green, Red, Amber/Blue, Amber/Clear, Amber/Green, Amber/Red, Blue/Clear, Red/Blue & Red/Clear



ED3706A Solid- or split-color
C Amber
V 12-24
A 0.9
X Multi-Mount (surface, tilt bracket, self-adhesive, edge)
 SAE J595 Class I, California Title 13, R65, R10, IP67
 3 Year

AVAILABLE COLORS
 Amber, Blue, Clear, Green, Red, Amber/Blue, Amber/Clear, Amber/Green, Amber/Red, Red/Blue



3510A
C Amber
V 12-24
A 0.75
X 2 Bolt
 SAE J595 Class I
 California Title 13, CE, R10
 5 Year

AVAILABLE COLORS
 Amber, Blue, Clear, Green & Red



3811A
C Amber
V 12-24
A 0.4
X 2 Bolt
 SAE J595 Class I
 CE, R10
 3 Year

AVAILABLE COLORS
 Amber, Blue, Clear & Red



3861A
C Amber
V 12-24
A 0.4
X Grommet
 SAE J595 Class I
 CE, R10
 3 Year

AVAILABLE COLORS
 Amber, Blue, Clear & Red



ED3702AC Dual-color
C Amber/Clear
V 12-24
A 0.6
X 2 Bolt
 SAE J595 Class I
 California Title 13, R65, R10
 3 Year

AVAILABLE COLORS
 Amber/Blue, Amber/Clear, Amber/Green, Amber/Red, Blue/Clear, Red/Blue & Red/Clear



ED3712AC Dual-color
C Amber/Clear
V 12-24
A 0.9
X Multi-Mount (surface, tilt bracket, self-adhesive, edge)
 SAE J595 Class I, California Title 13, R65, R10
 3 Year

AVAILABLE COLORS
 Amber/Blue, Amber/Clear, Amber/Green, Amber/Red, Blue/Clear, Red/Blue & Red/Clear



9014A CHUCK-A-LEET
C Amber
T 6 LEDs
V 1 Head
V 12-24
A 0.9
X 2 Bolt
 CE, R10, IP67
 2 Year

AVAILABLE COLORS
 Amber, Blue, Clear & Red



3703A / 3704A / 3705A
C Amber
V 12-24
A 0.5
X 2 Bolt
 SAE J595 Class I, R10
 3 Year

AVAILABLE COLORS
 Amber, Blue, Clear, Green & Red

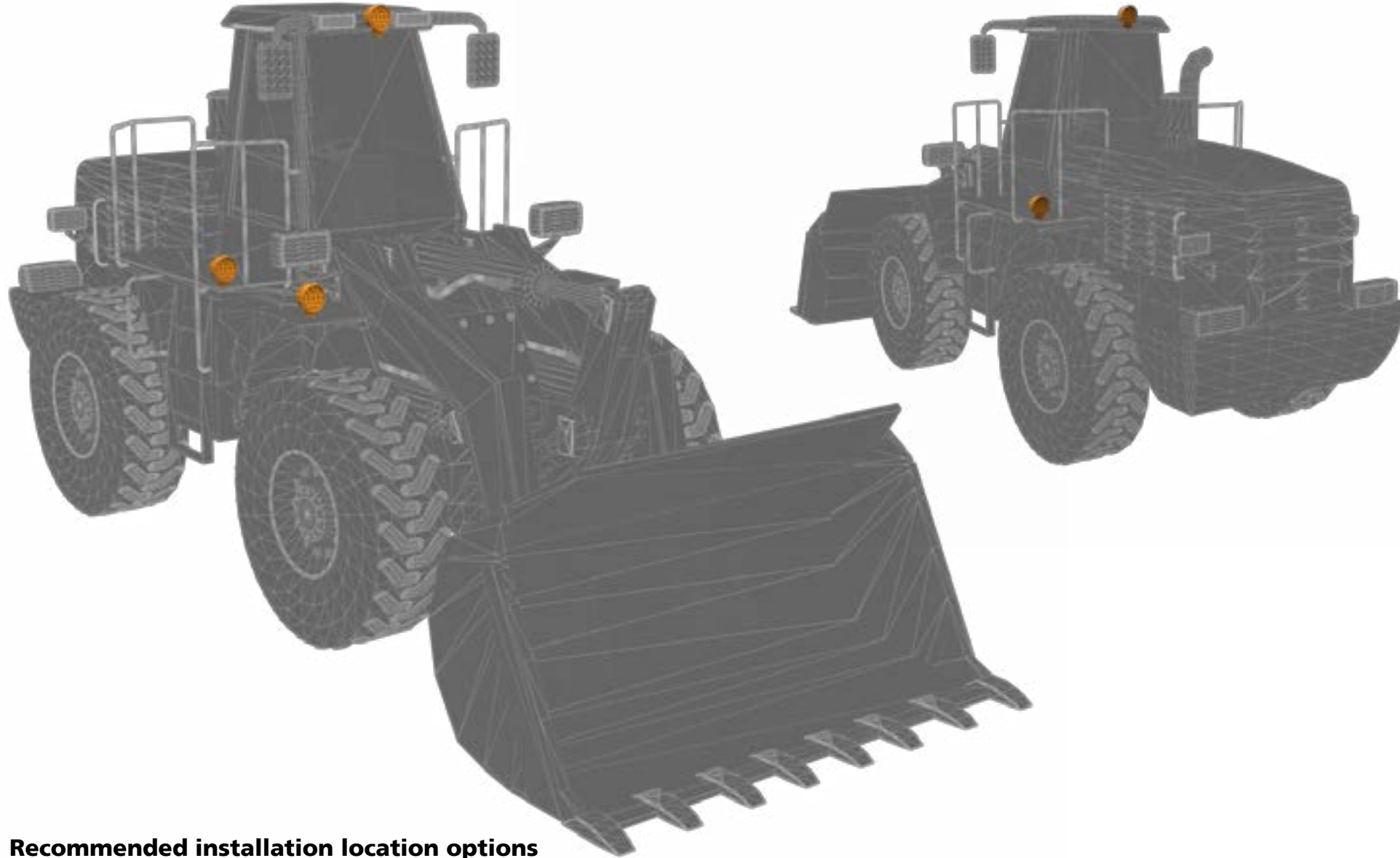
Recommended installation location options

Synchronization Capable
 Where applicable, change A in part number to available color

(3704 & 3705 only)

WORKLAMPS

CONSTRUCTION SOLUTIONS



E92004
 V 12-24
 A 0.6
 L 800 Raw, 700 Effective
 Flood
 CE, R10
 2 Year



E92006
 V 12-24
 A 1.3
 L 1300 Raw, 1200 Effective
 Flood
 CE
 2 Year



E92007
 V 12-24
 A 0.7
 L 750 Raw, 700 Effective
 Flood
 CE
 2 Year



EW2450
 V 12-24
 A 2.2
 L 1300 Raw, 1100 Effective
 Spot
 CE
 3 Year



EW2451
 V 12-24
 A 2.2
 L 1300 Raw, 1100 Effective
 Flood
 CE
 3 Year



EW2411
 V 12-24
 A 1.3
 L 1000 Raw, 900 Effective
 Flood
 IP67, CE, R10
 3 Year



EW2421
 V 12-24
 A 2
 L 2400 Raw, 2200 Effective
 Flood
 IP67, CE
 3 Year



EW2431
 V 12-24
 A 3.1
 L 2600 Raw, 2100 Effective
 Flood
 IP67, CE
 3 Year



EW2461CA-NA
 C Clear / Amber
 V 12-24
 L 650 Raw, 600 Effective (clear)
 Flood
 1 Year



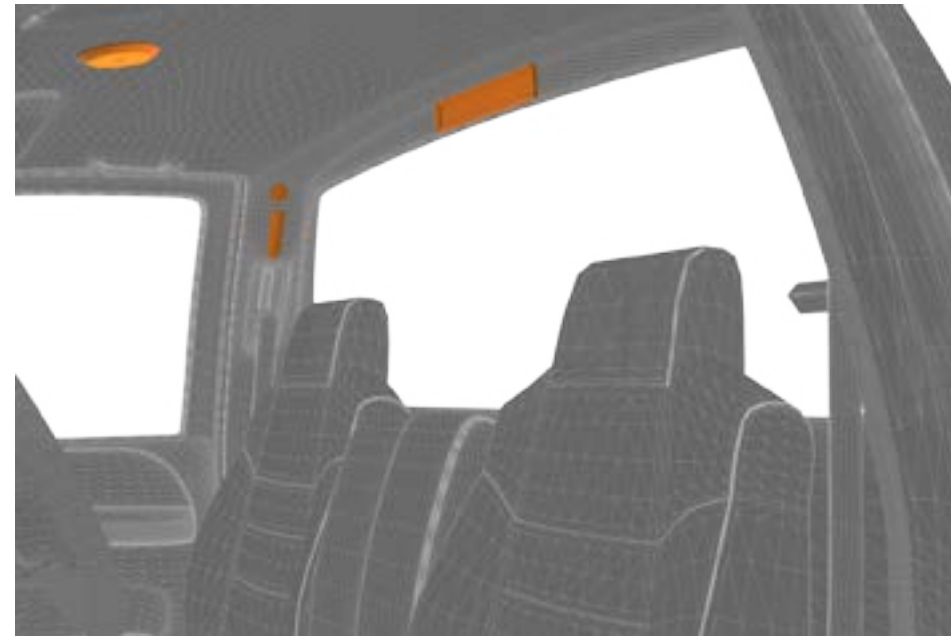
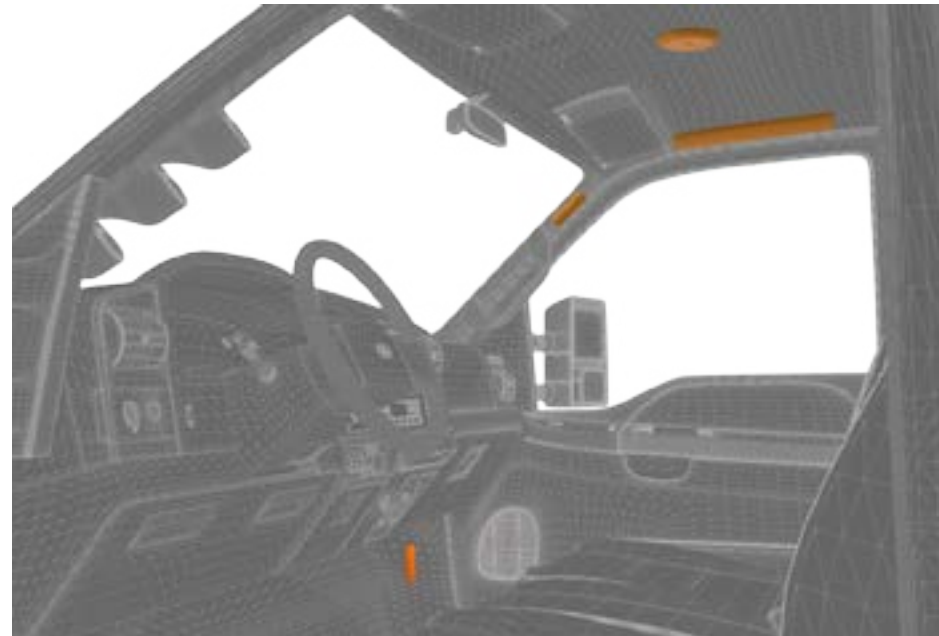
EW2102 equinox
 V 12-24
 A 2.6
 L 2000 Raw, 1600 Effective
 Flood
 CE, R10, IP67
 3 Year

Recommended installation location options

INTERIOR LIGHTING



CONSTRUCTION SOLUTIONS



Strip Lighting

12"

- # EW0116
- T 18 LED
- V 12
- A 0.4
- L 350 Raw, 350 Effective
- Flood
- CE, RoHS, IP65
- 3 Year

24"

- # EW0117
- T 36 LED
- V 12
- A 0.7
- L 700 Raw, 700 Effective
- Flood
- CE, RoHS, IP65
- 3 Year

Interior Lighting

4.5" CLEAR

- # EW0310
- T 4 LED
- V 12-24
- A 0.1
- L 100 Raw, 100 Effective
- Flood
- CE, RoHS
- 3 Year

7" CLEAR

- # EW0320
- T 8 LED
- V 12-24
- A 0.1
- L 200 Raw, 200 Effective
- Flood
- CE, RoHS
- 3 Year

14" MODULAR FROST

- # EW0351
- T 16 LED
- V 12
- A 0.5
- L 300 Raw, 250 Effective
- Flood
- CE, RoHS
- 3 Year

CONNECT MULTIPLE UNITS TOGETHER

Multiple lengths available

5.5"

- # EW0200
- T 72 LED
- V 12-24
- A 0.4
- L 400 Raw, 400 Effective
- Flood *Amplia*
- CE, RoHS
- 3 Year

5.5"

- # EW0400
- T 10 LED
- V 12-24
- A 0.4
- L 200 Raw, 200 Effective
- Flood
- CE, R10, RoHS, IP64
- 3 Year

12"

- # EW0401
- T 22 LED
- V 12-24
- A 0.7
- L 450 Raw, 450 Effective
- Flood
- CE, R10, RoHS, IP64
- 3 Year

13"

- # EW0700
- T 6 LED
- V 12-24
- A 0.5
- L 400 Raw, 350 Effective
- Flood
- CE, RoHS
- 3 Year

22"

- # EW0701
- T 12 LED
- V 12-24
- A 0.9
- L 1250 Raw, 1200 Effective
- Flood
- CE, RoHS
- 3 Year

ACCESSORIES

EZ0120 PIR Motion Sensor - 110° cone, adjustable sensitivity (automatically activates light when human movement is detected)

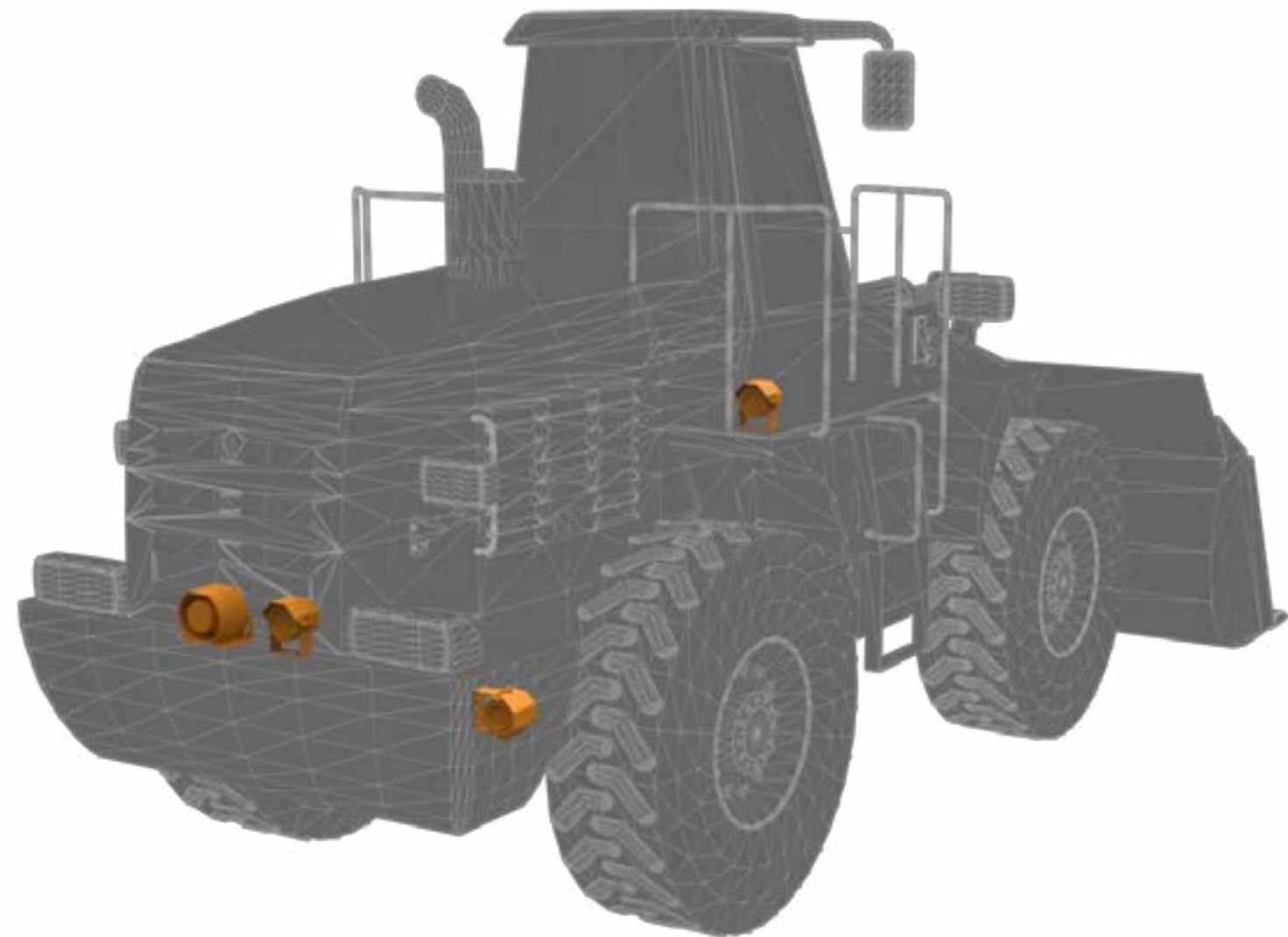


Recommended installation location options

REVERSING SAFETY



CONSTRUCTION SOLUTIONS



Recommended installation location options

Back-Up Alarms



- # 510
- T SRC*
- V 12
- dB(A) 97
- A 0.2
- X 2 Bolt
- CE, R10, UL, AMECA, IP65
- 2 Year

- # 530
- T SRC*
- V 12-24
- dB(A) 102
- A 1.0
- X 2 Bolt
- CE, R10, UL, IP65
- 2 Year

- # SA950 SMART ALARM
- V 12-24
- dB(A) 82-102
- A 0.4
- X 2 Bolt
- CE, R10, UL, IP65
- 2 Year



- # 850N
- V 12-36
- dB(A) 112
- A 1.3
- X 2 Bolt
- SAE J994 Type A, CE, R10, UL, AMECA
- ECCOLIFE™

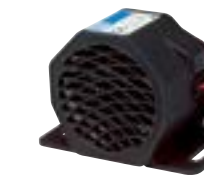
- # SA917N SMART ALARM
- V 12-24
- dB(A) 87-112
- A 1.5
- X 2 Bolt
- SAE J994 Type F, CE, R10
- ECCOLIFE™



- # 630N
- V 12-36
- dB(A) 107
- A 1.2
- X 2 Bolt
- SAE J994 Type B, CE, R10, UL, AMECA
- ECCOLIFE™

- # SA901N SMART ALARM
- V 12-24
- dB(A) 82-107
- A 0.3
- X 2 Bolt
- CE, R10, UL, IP64
- ECCOLIFE™

Multi-Frequency Alarms



- # EA5200
- V 12-24
- dB(A) 97
- A 1.0
- X 2 Bolt
- SAE J994 Type C, CE, R10, AMECA
- 2 Year



- # EA9724 MULTI-FREQUENCY SMART ALARM
- V 12-24
- dB(A) 77-97
- A 0.7
- X 2 Bolt
- SAE J994 Type F, CE, R10, IP64
- ECCOLIFE™

Camera Systems



- EC5603-K Geminaya
- 5.6" LCD color system
- Touchscreen menu control
- CMOS 11 LED infrared camera
- Includes monitor sunshade
- Three camera expandable
- One year warranty



- K7000B Geminaya
- 7" LCD color system
- CMOS 18 LED infrared camera
- Includes monitor sunshade
- Two camera expandable
- One year warranty



- EC7003-K Geminaya
- 7" LCD color system
- Touchscreen menu control
- CMOS 11 LED infrared camera
- Includes monitor sunshade
- Three camera expandable
- One year warranty



MINING SOLUTIONS

GETTING THE JOB DONE

SAFELY



At ECCO we appreciate just how dangerous quarrying and mining is. And we're not talking about working underground, with explosives or using huge drilling, excavating and crushing equipment, we're just talking about the inherent danger of operating and working around the huge mobile equipment that is commonplace on mine sites.

Mining equipment typically operates 24 hours a day, 365 days a year, through all kinds of weather and in some of the most extreme environments on earth. Dark conditions and constant exposure to heat, cold, dust, dirt, moisture and severe vibration requires that only the most durable, high-performance safety and warning equipment will hold up in this application. The sheer size of many types of mining equipment also poses its unique challenges, driver visibility all around the vehicle can be extremely limited with many smaller service vehicles and personnel moving around in close proximity.

ECCO offers an extensive line of safety solutions that are ideally suited to all kinds of mining equipment and vehicles. High intensity LED warning lights signal the hazard of an approaching piece of equipment to ground personnel while our range of heavy-duty worklamps ensure that even in the lowest visibility operators can see clearly what they are doing, minimizing the risk of personal injury. Finally ECCO's reversing safety solutions include back-up alarms to warn of reversing vehicles while our camera systems assist drivers in avoiding blind spot obstacles.



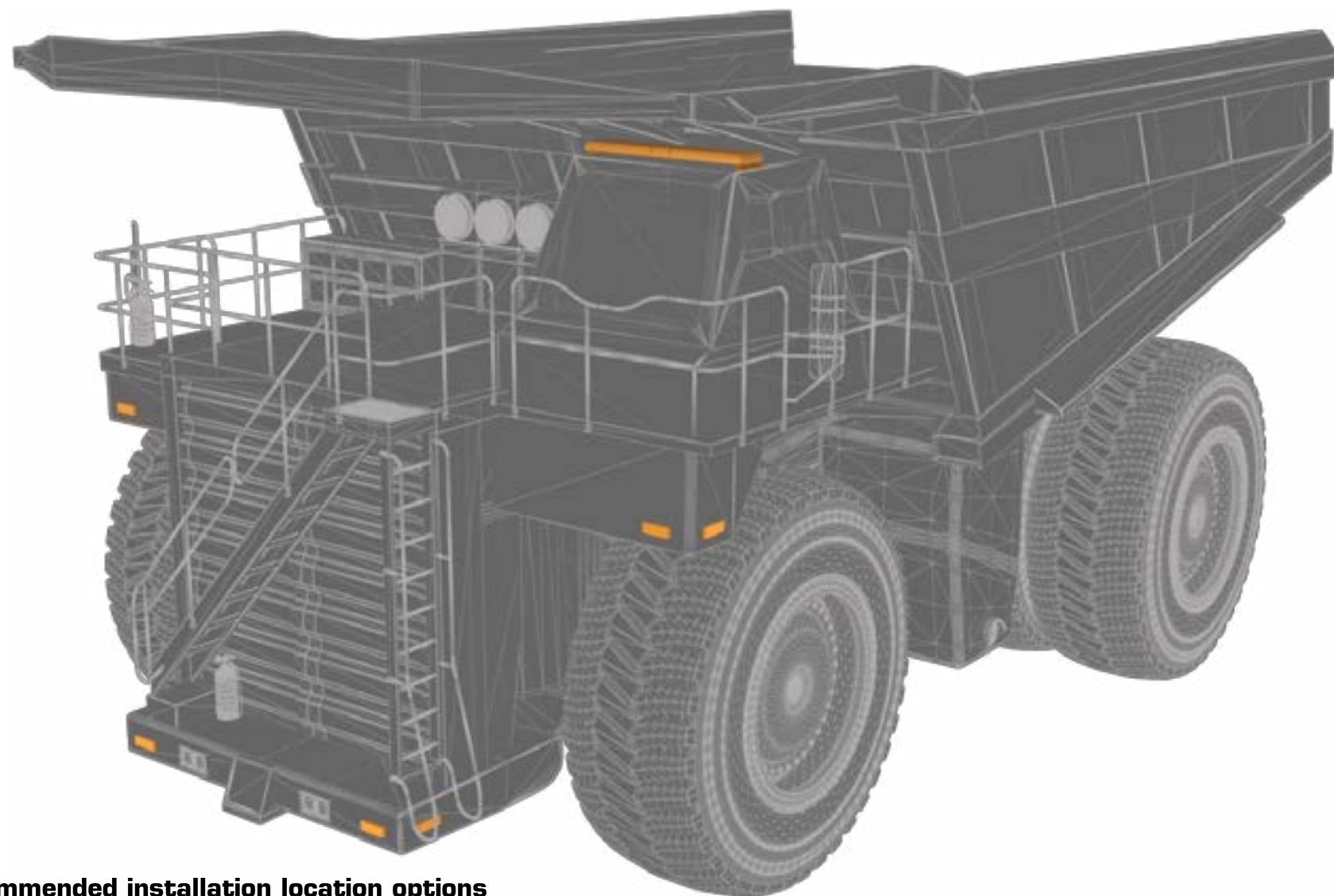
Read on to learn about specially selected, high-output, heavy-duty products that are ideal for use on mining equipment.



WARNING LIGHTS



MINING SOLUTIONS



Recommended installation location options

Lightbars



- 54"** # 12-00005-E **VANTAGE**
C Amber
T 16 LEDs, 2 WL, 2 AL, 2 STT
V 12-24
A 11.0
 Ⓢ SAE J845 Class I, California Title 13, CE, R10
 Ⓟ 3 Year



- 60"** # 12-00006-E **VANTAGE**
C Amber
T 16 LEDs, 2 WL, 2 AL, 2 STT
V 12-24
A 11.0
 Ⓢ SAE J845 Class I, California Title 13, CE, R10
 Ⓟ 3 Year

AVAILABLE COLORS (12 & 14 Series)

Amber, Blue, Clear, Green & Red

Custom configurations available



- 48"** # 14-00001-E **AXXIOS**
C Amber
T 12 LEDs, 2 WL, 2 AL
V 12-24
A 14.4
 Ⓢ SAE J845 Class I, Cal. Title 13, R65, R10
 Ⓟ 5 Year



- 39"** # 14-00005-E **AXXIOS**
C Amber
T 8 LEDs
V 12-24
A 7.2
 Ⓢ SAE J845 Class I, Cal. Title 13, R65, R10
 Ⓟ 5 Year

Directional LEDs



- # 3510A**
C Amber
V 12-24
A 0.75
 ✕ 2 Bolt
 Ⓢ SAE J595 Class I
 California Title 13,
 CE, R10
 Ⓟ 5 Year

AVAILABLE COLORS

Amber, Blue, Clear, Green & Red



- # 9014A** **COB-LED**
C Amber
T 6 LEDs
 1 Head
V 12-24
A 0.9
 ✕ 2 Bolt
 Ⓢ CE, R10, IP67
 Ⓟ 2 Year

AVAILABLE COLORS

Amber, Blue, Clear & Red



- # 3811A**
C Amber
V 12-24
A 0.4
 ✕ 2 Bolt
 Ⓢ SAE J595 Class I
 CE, R10
 Ⓟ 3 Year

AVAILABLE COLORS

Amber, Blue, Clear & Red



- 3861A**
 Amber
 12-24
 0.4
 Grommet
 SAE J595 Class I
 CE, R10
 3 Year

Synchronization Capable

Where applicable, change A in part number to available color

360° WARNING

MINING SOLUTIONS



Recommended installation location options

Beacons



7975A
T Severe Vibration
C Amber
V 12-24
A 3.6
X 3 Bolt / 1" Pipe
⊕ SAE J845 Class I, CE, R10
⌚ 2 Year

AVAILABLE COLORS (7900 SERIES)
 Amber, Blue, Clear, Green & Red



CA models = clear lens / amber illumination | CC models = clear lens / clear illumination



7980A
T Severe Vibration
C Amber
V 12-24
A 3.6
X 3 Bolt / 1" Pipe
⊕ SAE J845 Class I, CE, R10
⌚ 2 Year



EB7930A
T Severe Vibration
C Amber
V 12-48
A 1.3
X 3 Bolt / 1" Pipe
⊕ SAE J845 Class II, CE, R10
⌚ 2 Year



EB7935A
T Severe Vibration
C Amber
V 12-48
A 1.3
X 3 Bolt / 1" Pipe
⊕ SAE J845 Class II, CE, R10
⌚ 2 Year



7960A
C Amber
V 12-24
A 3.7
X 3 Bolt / 1" Pipe
⊕ SAE J845 Class I, CE, R10, IP56
⌚ 5 Year

AVAILABLE COLORS
 Amber, Blue, Clear & Red



CA models = clear lens / amber illumination



7960A-VM
C Amber
V 12-24
A 3.7
X Vacuum-Magnet
⊕ SAE J845 Class I, CE, R10
⌚ 5 Year



7660A
C Amber
V 12-24
A 2.1
X 125
⊕ 3 Bolt
 SAE J845 Class I, CE, R10, IP67
⌚ 5 Year

AVAILABLE COLORS
 Amber, Blue, Clear, Green & Red



CA models = clear lens / amber illumination



7660A-VM
C Amber
V 12-24
A 2.1
X 125
⊕ Vacuum-Magnet
 SAE J845 Class I, CE, R10, IP67
⌚ 5 Year

Minibars



5585A REFLEX
C Amber
V 12-24
A 5.1
X 4 Bolt
⊕ SAE J845 Class I, CE, R10, IP65
⌚ 3 Year

AVAILABLE COLORS
 Amber, Blue, Clear, Green, Red & Amber/Clear
 (MG models amber illumination only)



5580A REFLEX
C Amber
V 12-24
A 2.7
X 4 Bolt
⊕ SAE J845 Class II, CE, R10, IP65
⌚ 3 Year

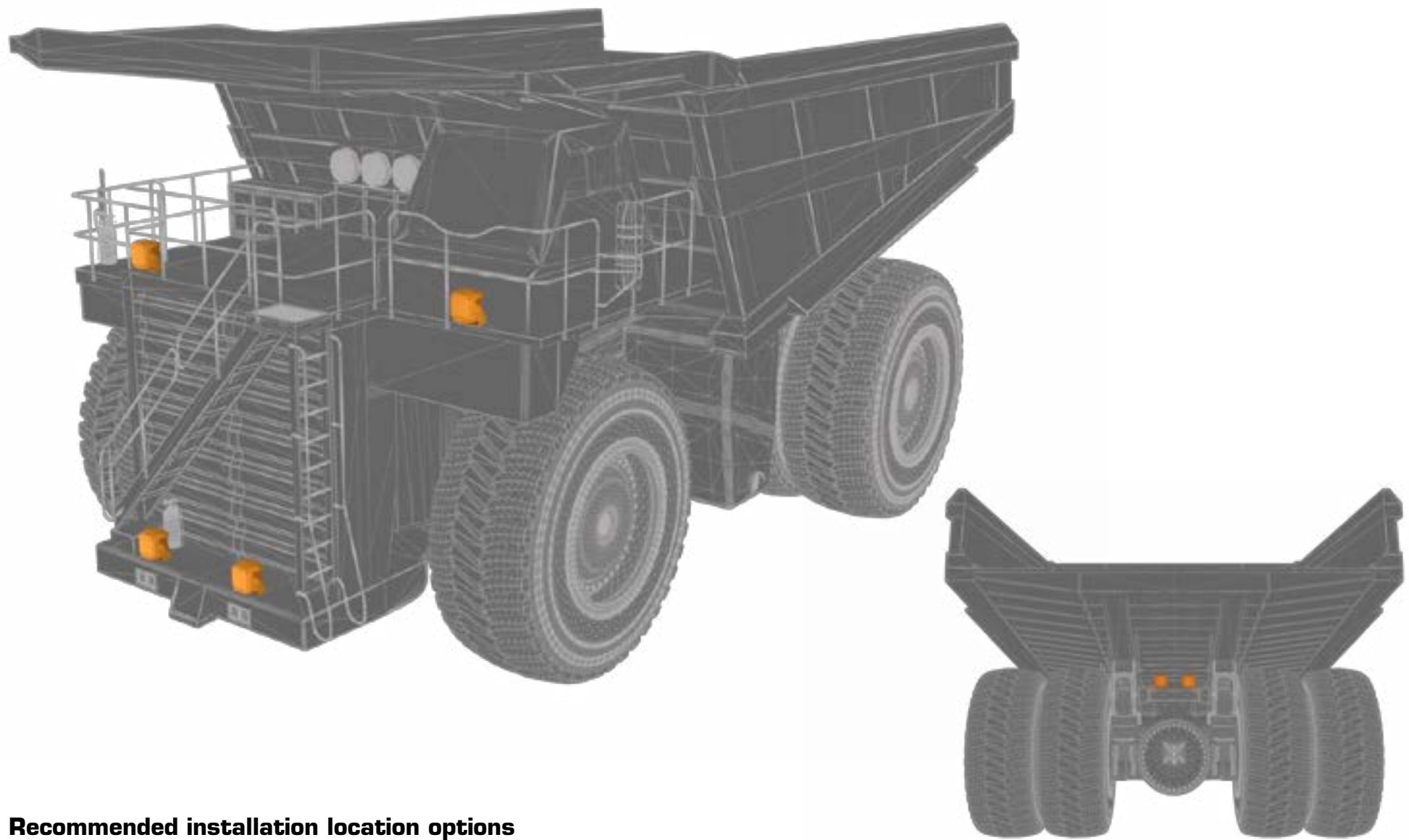
AVAILABLE COLORS
 Amber



WHITE LIGHTING



MINING SOLUTIONS



Recommended installation location options



EW2311
 V 12-24
 A 5.3
 L 4950 Raw, 3600 Effective
 Flood
 IP69K
 3 Year



EW2310
 V 12-24
 A 5.3
 L 5100 Raw, 3600 Effective
 Spot
 IP69K
 3 Year



EW2511
 V 12-24
 A 4.8
 L 5000 Raw, 4500 Effective
 Flood
 2 Year



EW2510
 V 12-24
 A 4.8
 L 5100 Raw, 4500 Effective
 Spot
 2 Year



EW2331
 V 12-24
 A 4.8
 L 4850 Raw, 3900 Effective
 Flood
 3 Year



EW2330
 V 12-24
 A 4.8
 L 4600 Raw, 3950 Effective
 Spot
 3 Year



EW2450
 V 12-24
 A 2.2
 L 1300 Raw, 1100 Effective
 Spot
 CE
 3 Year



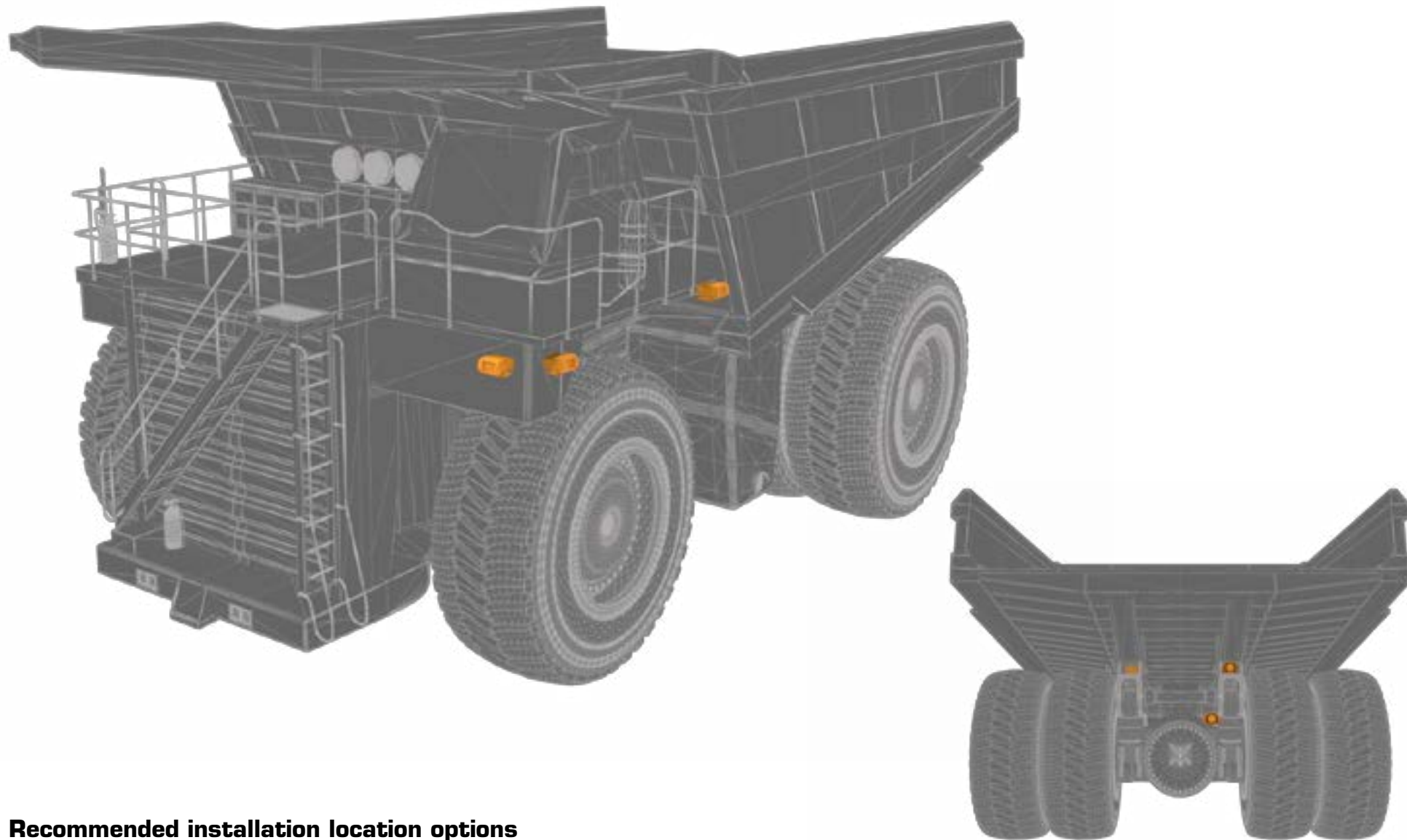
EW2451
 V 12-24
 A 2.2
 L 1300 Raw, 1100 Effective
 Flood
 CE
 3 Year



EW2461CA-NA
 C Clear / Amber
 V 12-24
 L 650 Raw, 600 Effective (clear)
 Flood
 1 Year

REVERSING SAFETY

MINING SOLUTIONS



Recommended installation location options

Back-Up Alarms



- # 630N
- V 12-36
- dB(A) 107
- A 1.2
- X 2 Bolt
- ☑ SAE J994 Type B, CE, R10, UL, AMECA
- ⌚ ECCOLIFE™

- # SA901N SMART ALARM
- V 12-24
- dB(A) 82-107
- A 0.3
- X 2 Bolt
- ☑ CE, R10, UL, IP64
- ⌚ ECCOLIFE™



- # 850N
- V 12-36
- dB(A) 112
- A 1.3
- X 2 Bolt
- ☑ SAE J994 Type A, CE, R10, UL, AMECA
- ⌚ ECCOLIFE™

- # SA917N SMART ALARM
- V 12-24
- dB(A) 87-112
- A 1.5
- X 2 Bolt
- ☑ SAE J994 Type F, CE, R10
- ⌚ ECCOLIFE™



- # 777
- V 12-24
- dB(A) 97/107/112 Switchable
- A 0.8
- X 2 Bolt
- ☑ SAE J994 Type A, B, C, CE, R10, IP66
- ⌚ 2 Year



- # SA920
- V 12-24
- dB(A) 97-112
- A 0.6
- X 2 Bolt
- ☑ CE, R10, IP66
- ⌚ 2 Year

Multi-Frequency Alarms



- # EA9724 MULTI SMART ALARM
- V 12-24
- dB(A) 77-97
- A 0.7
- X 2 Bolt
- ☑ SAE J994 Type F, CE, R10, IP64
- ⌚ ECCOLIFE™



- # EA9070 SMART ALARM
- V 12-24
- dB(A) 87-107
- A 0.9
- X 2 Bolt
- ☑ SAE J994 Type F, CE, R10, IP66
- ⌚ ECCOLIFE™

- # EA7070
- V 12-24
- dB(A) 107
- A 0.8
- X 2 Bolt
- ☑ SAE J994 Type B, CE, R10, AMECA, IP66
- ⌚ ECCOLIFE™

Camera Systems



K7000B Geminaeye
 7" LCD color system
 CMOS 18 LED infrared camera
 Includes monitor sunshade
 Two camera expandable
 One year warranty



EC7000-QK Geminaeye
 7" Quad view LCD color system
 Quad view, split screen
 CMOS 11 LED infrared camera
 Four camera expandable
 One year warranty



**MATERIAL
HANDLING SOLUTIONS**



REFUSE SOLUTIONS

GETTING THE JOB DONE

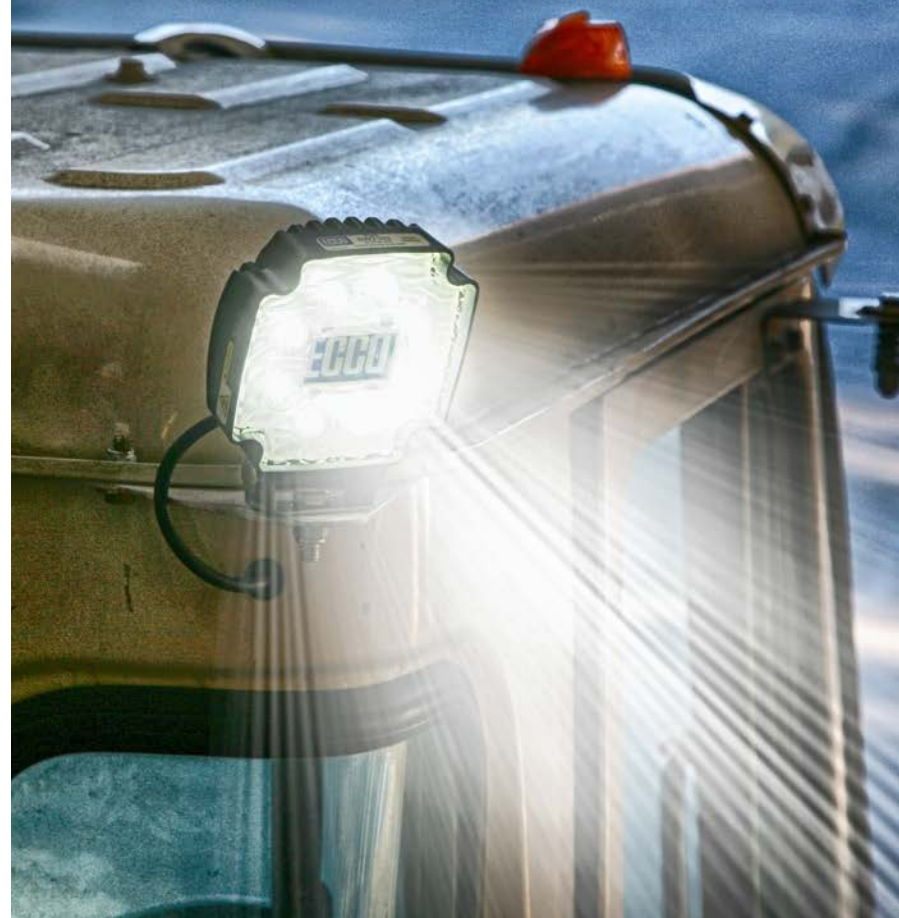
SAFELY



At ECCO, we appreciate just how dangerous the refuse industry can be. And we're not just talking about the harmful materials being collected on a daily basis or the strain to the body caused by heavy lifting. We are talking about the safety hazards caused by vehicles on the road. One of the most dangerous and potentially life-threatening dangers a refuse collector encounters is the risk of being hit by motorists on the road. The constant need for drivers to swerve around large refuse trucks, sometimes while refuse collectors are hanging from the side, is one reason why waste management is one of the most dangerous jobs around.

As a refuse collector, being mindful of road hazards is only one part of the job – you must also remain cautious of safety hazards caused by your own vehicle while loading and unloading the truck. The heavy equipment used (e.g. front-end loaders and trash compactors) can have severe impacts to the operator's health and safety if not operated correctly. And with the amount of environmental distractions, it's no wonder waste collection was named one of the most unsafe jobs around.

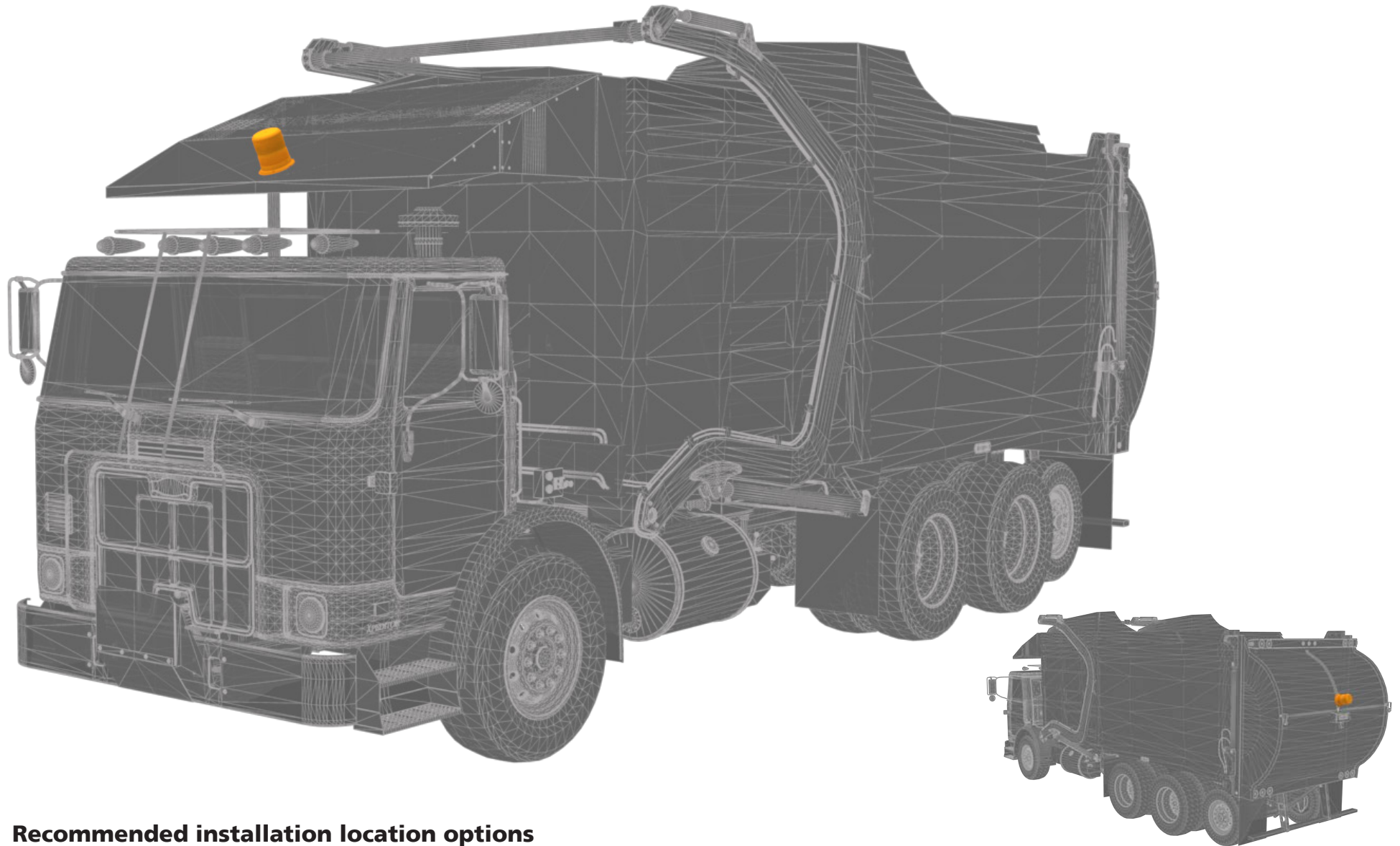
ECCO offers an extensive line of safety solutions that is ideally suited for all types of waste management vehicles. Our high-intensity LED warning lights notify other vehicles that the truck is in operation, even during early mornings during low-visibility situations. ECCO's reversing safety solutions include a variety of back-up alarms including multi-frequency alarms and Smart Alarms suitable for a multitude of different environments from residential to landfills. To aid with visual impairments caused by large equipment, ECCO offers a fully-integrated line of camera systems that will make operating heavy-duty vehicles safe and stress-free. We make it our job to offer warning equipment to help minimize the risk of personal injury as well as property damage.



Read on to learn more about specially-selected, heavy-duty products that are ideal for the rugged conditions of refuse collection.



BEACONS



Recommended installation location options

REFUSE SOLUTIONS



7945A

- C** Amber
- V** 12-48
- A** 1.3
- X** 3 Bolt / 1" Pipe
- Ⓢ** SAE J845 Class II, CE, R10
- Ⓟ** 2 Year



7965A

- C** Amber
- V** 12-24
- A** 3.6
- X** 3 Bolt / 1" Pipe
- Ⓢ** SAE J845 Class I, CE, R10
- Ⓟ** 2 Year



7975A

- T** Severe Vibration
- C** Amber
- V** 12-24
- A** 3.6
- X** 3 Bolt / 1" Pipe
- Ⓢ** SAE J845 Class I, CE, R10
- Ⓟ** 2 Year



EB7930A

- T** Severe Vibration
- C** Amber
- V** 12-48
- A** 1.3
- X** 3 Bolt / 1" Pipe
- Ⓢ** SAE J845 Class II, CE, R10
- Ⓟ** 2 Year



7950A

- C** Amber
- V** 12-48
- A** 1.3
- X** 3 Bolt / 1" Pipe
- Ⓢ** SAE J845 Class II, CE, R10
- Ⓟ** 2 Year



7970A

- C** Amber
- V** 12-24
- A** 3.6
- X** 3 Bolt / 1" Pipe
- Ⓢ** SAE J845 Class I, CE, R10
- Ⓟ** 2 Year



7980A

- T** Severe Vibration
- C** Amber
- V** 12-24
- A** 3.6
- X** 3 Bolt / 1" Pipe
- Ⓢ** SAE J845 Class I, CE, R10
- Ⓟ** 2 Year



EB7935A

- T** Severe Vibration
- C** Amber
- V** 12-48
- A** 1.3
- X** 3 Bolt / 1" Pipe
- Ⓢ** SAE J845 Class II, CE, R10
- Ⓟ** 2 Year

AVAILABLE COLORS (7900 SERIES)

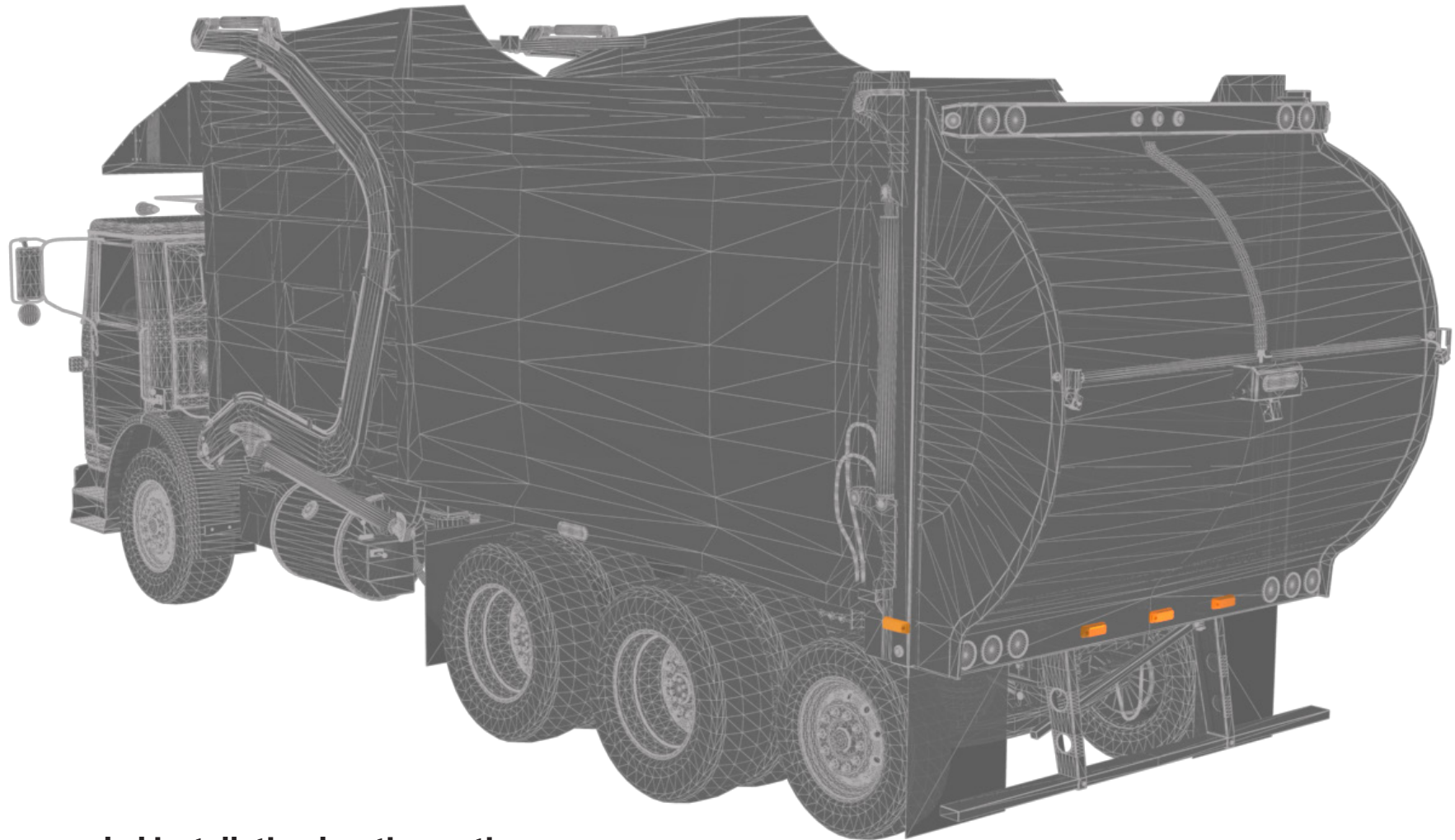
Amber, Blue, Clear, Green & Red



CA models = clear lens / amber illumination | CC models = clear lens / clear illumination

Where applicable, change A in part number to available color

DIRECTIONAL LEDs



Recommended installation location options

REFUSE SOLUTIONS



- # 3811A
- C Amber
- V 12-24
- A 0.4
- X 2 Bolt
- ⊗ SAE J595 Class I
CE, R10
- 🕒 3 Year

AVAILABLE COLORS
Amber, Blue, Clear & Red



- # 3861A
- C Amber
- V 12-24
- A 0.4
- X Grommet
- ⊗ SAE J595 Class I
CE, R10
- 🕒 3 Year



- # 3945A
- C Amber
- V 12-24
- A 0.5
- X Round Grommet
- ⊗ SAE J595 Class I
- 🕒 1 Year

AVAILABLE COLORS
Amber, Blue, Clear & Red



- 3965A
- Amber
- 12-24
- 0.5
- Oval Grommet
- SAE J595 Class I
- 1 Year



- # 3510A
- C Amber
- V 12-24
- A 0.75
- X 2 Bolt
- ⊗ SAE J595 Class I
California Title 13, CE, R10
- 🕒 5 Year

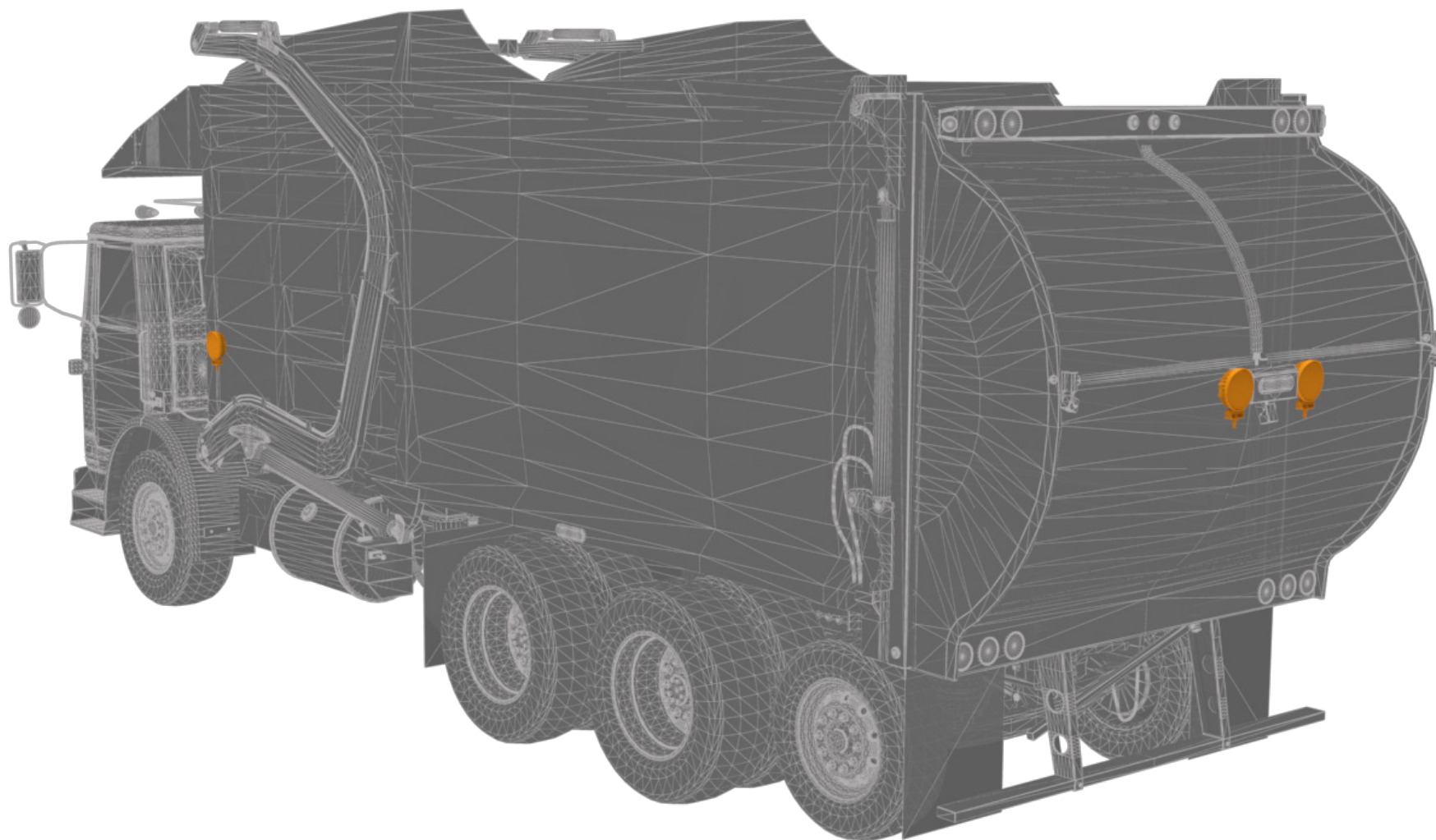
AVAILABLE COLORS
Amber, Blue, Clear, Green & Red



Synchronization Capable

Where applicable, change A in part number to available color

WORKLAMPS



Recommended installation location options

REFUSE SOLUTIONS

Worklamps



E92004
V 12-24
A 0.6
L 800 Raw, 700 Effective
 Flood
 CE, R10
 2 Year



E92007
V 12-24
A 0.7
L 750 Raw, 700 Effective
 Flood
 CE
 2 Year



E92013
V 12-24
A 0.9
L 650 Raw, 600 Effective
 Flood
 CE
 1 Year



EW2450
V 12-24
A 2.2
L 1300 Raw, 1100 Effective
 Spot
 CE
 3 Year

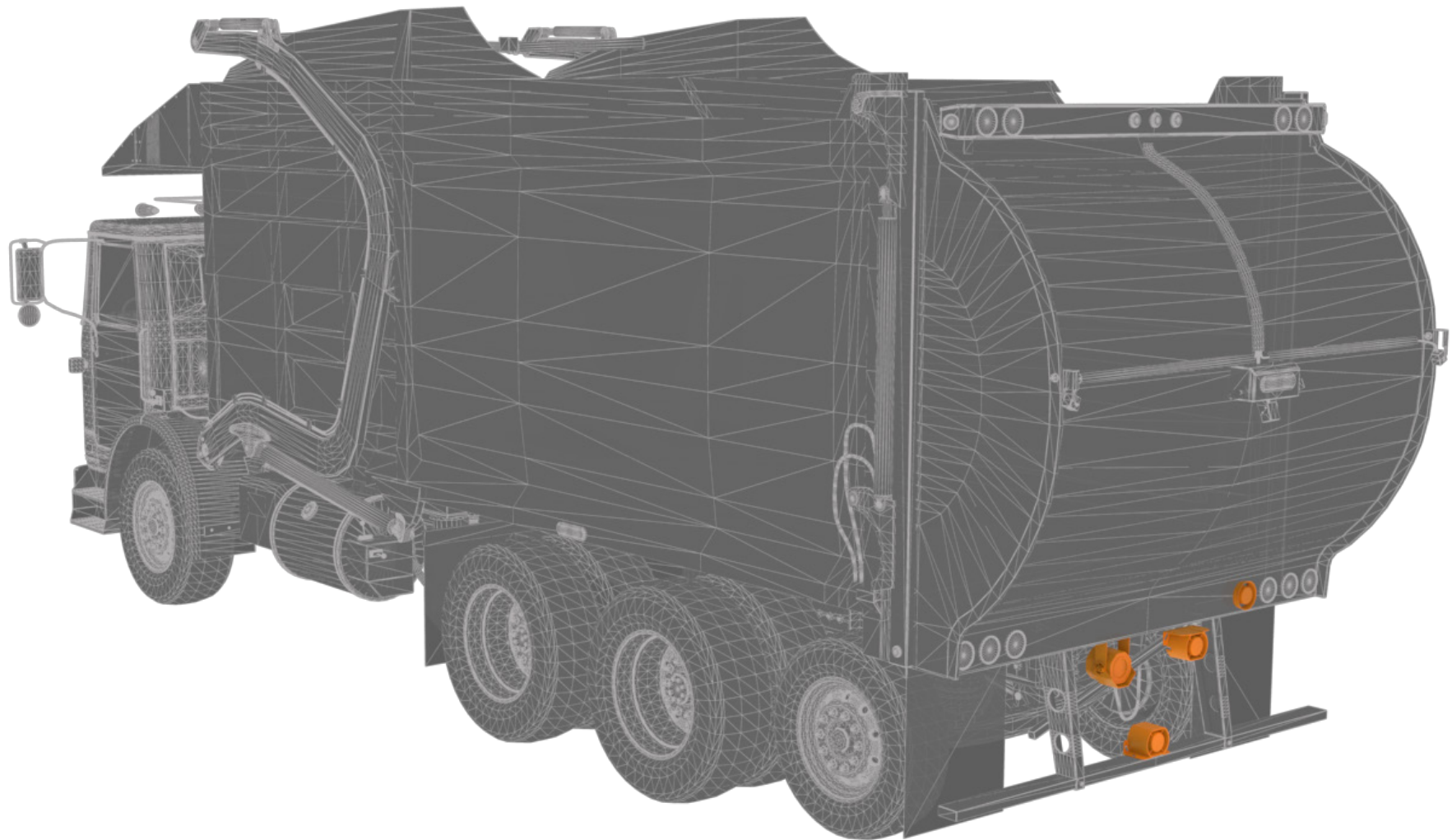


EW2451
V 12-24
A 2.2
L 1300 Raw, 1100 Effective
 Flood
 CE
 3 Year



EW2102 equinox
V 12-24
A 2.6
L 2000 Raw, 1600 Effective
 Flood
 CE, R10, IP67
 3 Year

REVERSING SAFETY



Recommended installation location options

REFUSE SOLUTIONS

Back-Up Alarms



415
V 12-24
dB(A) 97
A 0.2
X Grommet
☑ SAE J994 Type C, CE, R10
🕒 2 Year

435
V 12-24
dB(A) 102
A 0.3
X Grommet
☑ SAE J994 Type F, CE, R10
🕒 2 Year

SA955 SMART ALARM
V 12-24
dB(A) 82-102
A 0.4
X Grommet
☑ CE, R10
🕒 2 Year



410
V 12-36
dB(A) 97
A 0.1
X Grommet
☑ SAE J994 Type C, CE, R10
🕒 ECCOLIFE™

SA940 SMART ALARM
V 12-24
dB(A) 87-112
A 0.6
X Grommet
☑ -
🕒 CE, R10
🕒 ECCOLIFE™



510
T SRC*
V 12
dB(A) 97
A 0.2
X 2 Bolt
☑ SAE J994 Type C, CE, R10, UL, AMECA, IP65
🕒 2 Year

530
T SRC*
V 12-24
dB(A) 102
A 1.0
X 2 Bolt
☑ SAE J994 Type F, CE, R10, UL, IP65
🕒 2 Year

SA950 SMART ALARM
V 12-24
dB(A) 82-102
A 0.4
X 2 Bolt
☑ CE, R10, UL, IP65
🕒 2 Year



630N
V 12-36
dB(A) 107
A 1.2
X 2 Bolt
☑ SAE J994 Type B, CE, R10, UL, AMECA
🕒 ECCOLIFE™

SA901N SMART ALARM
V 12-24
dB(A) 82-107
A 0.3
X 2 Bolt
☑ CE, R10, UL, IP64
🕒 ECCOLIFE™

Multi-Frequency Alarms



EA5200 MULTI FREQUENCY
V 12-24
dB(A) 97
A 1.0
X 2 Bolt
☑ SAE J994 Type C, CE, R10, AMECA
🕒 2 Year



EA7070 MULTI FREQUENCY
V 12-24
dB(A) 107
A 0.8
X 2 Bolt
☑ SAE J994 Type B, CE, R10, AMECA, IP66
🕒 ECCOLIFE™



EA9724 MULTI FREQUENCY SMART ALARM
V 12-24
dB(A) 77-97
A 0.7
X 2 Bolt
☑ SAE J994 Type F, CE, R10
🕒 ECCOLIFE™

Camera Systems



EC5605-WK Gemineye
 5.6" LCD color system
 2.4 GHz digital wireless system
 Touchscreen menu control
 CMOS 11 LED infrared camera
 2 Bolt
 Includes monitor sunshade
 Four camera expandable
 One year warranty



K7000B Gemineye
 7" LCD color system
 CMOS 18 LED infrared camera
 Includes monitor sunshade
 Two camera expandable
 One year warranty



EC7000-QK Gemineye
 7" Quad view LCD color system
 Quad view, split screen
 CMOS 11 LED infrared camera
 Four camera expandable
 One year warranty



HIGHWAY SOLUTIONS

GETTING THE JOB DONE

SAFELY



At ECCO, we appreciate just how dangerous the highway construction industry can be. And we're not just talking about slips and falls or exposure to harmful substances. We are talking about operating heavy equipment and the dangers associated with worker visibility. Highway workers usually work around-the-clock, in sometimes extreme environmental conditions, to get the job done. From severe weather to operating heavy machinery, there are many factors that can impact safety making the side of a busy highway a potentially life-threatening place to work.

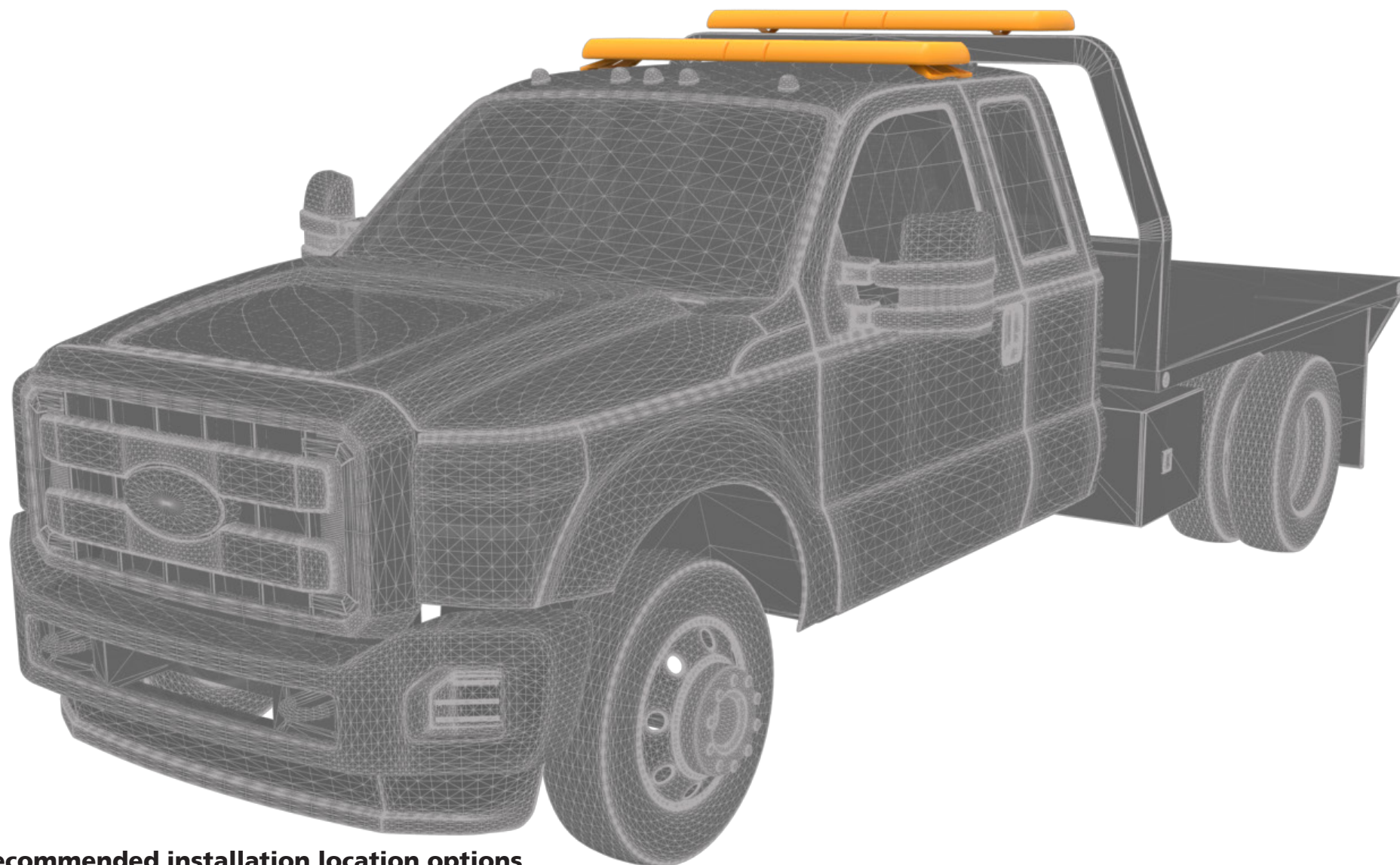
ECCO offers an extensive line of safety solutions that are ideally suited for highway construction workers. The new Safety Director™ provides optimal traffic direction with its SAE Class I certified LEDs. And speaking of LEDs, our high-intensity warning lights notify other vehicles that the road construction is in progress, even during low-visibility situations. ECCO's reversing safety solutions include a variety of back-up alarms including multi-frequency alarms and Smart Alarms to warn other drivers and pedestrians when you're reversing and camera systems to help you avoid obstacles. We make it our job to offer warning equipment to help minimize the risk of personal injury as well as property damage.



Read on to learn more about specially-selected, heavy-duty products that are ideal for use on the highway - day or night.



LIGHTBARS



Recommended installation location options

HIGHWAY SOLUTIONS

12 Series

SAE Class I LED Lightbar



48" # 12-00001-E

- C** Amber
- T** 16 LEDs
- V** 12-24
- A** 7.2
- ☑ SAE J845 Class I, California Title 13, CE, R10
- 🕒 3 Year



54" # 12-00002-E

- C** Amber
- T** 16 LEDs
- V** 12-24
- A** 7.2
- ☑ SAE J845 Class I, California Title 13, CE, R10
- 🕒 3 Year



60" # 12-00003-E

- C** Amber
- T** 16 LEDs
- V** 12-24
- A** 7.2
- ☑ SAE J845 Class I, California Title 13, CE, R10
- 🕒 3 Year

14 Series

SAE Class I Modular LED Lightbar



39" # 14-00005-E

- C** Amber
- T** 8 LEDs
- V** 12-24
- A** 7.2
- ☑ SAE J845 Class I, Cal. Title 13, R65, R10
- 🕒 5 Year



48" # 14-00006-E

- C** Amber
- T** 12 LEDs, 1 Safety Director
- V** 12-24
- A** 13.3
- ☑ SAE J845 Class I, Cal. Title 13, R65, R10
- 🕒 5 Year

21 Series

SAE Class I LED Lightbar



22" # 21-00002-E

- C** Amber
- T** 6 LEDs
- V** 12
- A** 3.0
- ☑ SAE J845 Class I, Cal. Title 13
- 🕒 5 Year



47" # 21-00004-E

- C** Amber
- T** 14 LEDs
- V** 12
- A** 7.0
- ☑ SAE J845 Class I, Cal. Title 13
- 🕒 5 Year



52" # 21-00009-E

- C** Amber
- T** 16 LEDs, 6 Module Safety Director
- V** 12
- A** 8.0
- ☑ SAE J845 Class I, Cal. Title 13
- 🕒 5 Year

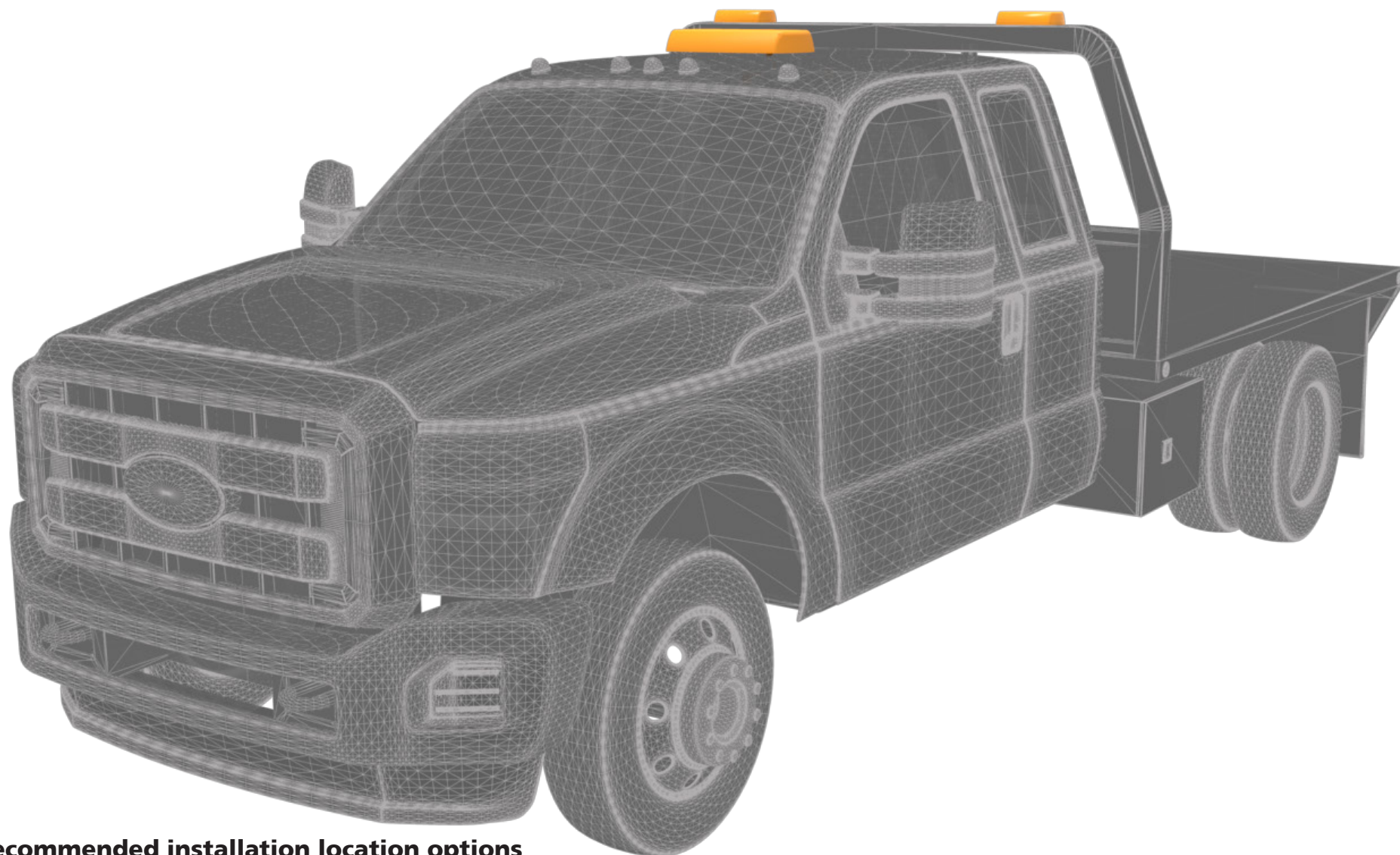
AVAILABLE COLORS - 12, 14, 21 Series

Amber, Blue, Clear, Green & Red



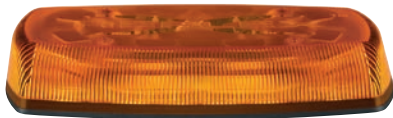
Custom configurations available

MINIBARS



Recommended installation location options

HIGHWAY SOLUTIONS



- # 5585A REFLEX**
C Amber
V 12-24
A 5.1
X 4 Bolt
 Ⓢ SAE J845 Class I, CE, R10, IP65
 Ⓟ 3 Year

AVAILABLE COLORS

Amber, Blue, Clear, Green, Red & Amber/Clear
 (MG models amber illumination only)



- # 5587A REFLEX**
C Amber
V 12-24
A 5.1
X 4 Bolt
 Ⓢ SAE J845 Class I, CE, R10, IP65
 Ⓟ 3 Year

AVAILABLE COLORS

Amber, Clear, Amber/Clear
 (MG models amber & amber/clear only)



- # 5550A REFLEX**
C Amber
V 12-24
A 2.7
X 4 Bolt
 Ⓢ SAE J845 Class I, CE, R10, RoHS, IP65, California Title 13
 Ⓟ 3 Year

AVAILABLE COLORS

Amber, Clear, Amber/Clear



- # 5590A REFLEX**
C Amber
V 12-24
A 6.0
X 4 Bolt
 Ⓢ SAE J845 Class I
 California Title 13, CE, R10, IP65
 Ⓟ 3 Year

AVAILABLE COLORS

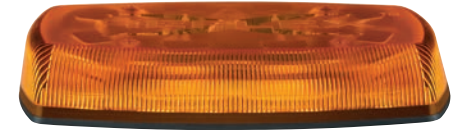
Amber, Blue, Clear, Green & Red
 (MG models amber & amber/clear only)



- # 5597A REFLEX**
C Amber
V 12-24
A 6.0
X 4 Bolt
 Ⓢ SAE J845 Class I, California Title 13, CE, R10, IP65
 Ⓟ 3 Year

AVAILABLE COLORS

Amber, Clear, Amber/Clear
 (MG models amber & amber/clear only)



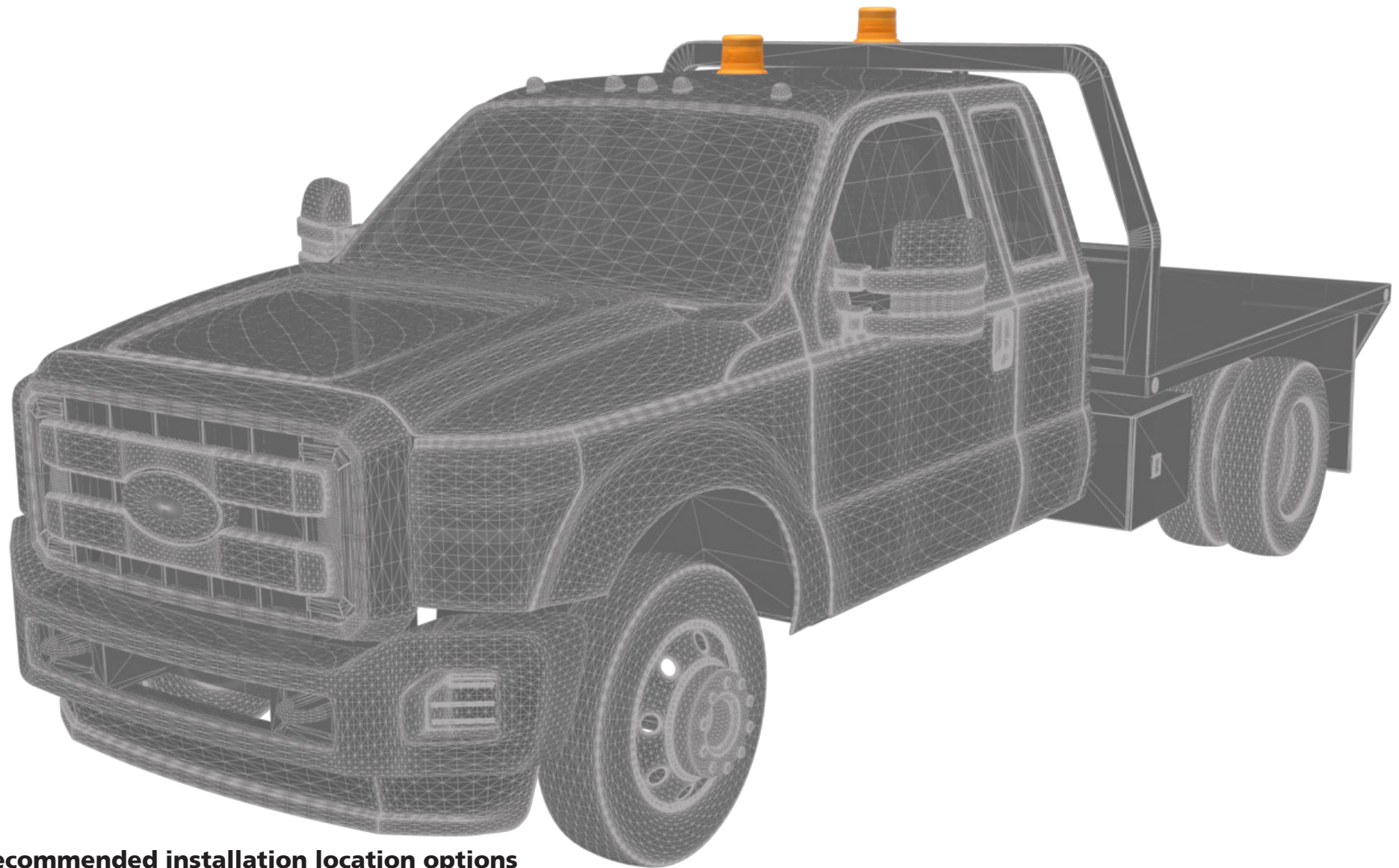
- # 5580A REFLEX**
C Amber
V 12-24
A 2.7
X 4 Bolt
 Ⓢ SAE J845 Class II, CE, R10, IP65
 Ⓟ 3 Year

AVAILABLE COLORS

Amber



BEACONS



Recommended installation location options

HIGHWAY SOLUTIONS



- # EB7180A
- C Amber
- V 12-24
- A 6.2
- X 3 Bolt / 1" Pipe
- ⊗ SAE J845 Class I, Cal. Title 13, R10, IP55, AMECA
- 🕒 3 Year



- # EB7180A-VM
- C Amber
- V 12-24
- A 6.2
- X Vacuum-Magnet
- ⊗ SAE J845 Class I, Cal. Title 13, R10, IP55, AMECA
- 🕒 3 Year



- # 7945A
- C Amber
- V 12-48
- A 1.3
- X 3 Bolt / 1" Pipe
- ⊗ SAE J845 Class II, CE, R10
- 🕒 2 Year



- # 7950A
- C Amber
- V 12-48
- A 1.3
- X 3 Bolt / 1" Pipe
- ⊗ SAE J845 Class II, CE, R10
- 🕒 2 Year



- # EB7185A Dual-color
- C Amber
- V 12-24
- A 8.6
- X 3 Bolt / 1" Pipe
- ⊗ SAE J845 Class I, Cal. Title 13, R10, IP55, AMECA
- 🕒 3 Year



- # EB7185A-VM Dual-color
- C Amber
- V 12-24
- A 8.6
- X Vacuum-Magnet
- ⊗ SAE J845 Class I, Cal. Title 13, R10, IP55, AMECA
- 🕒 3 Year



- # 7965A
- C Amber
- V 12-24
- A 3.6
- X 3 Bolt / 1" Pipe
- ⊗ SAE J845 Class I, CE, R10
- 🕒 2 Year



- # 7970A
- C Amber
- V 12-24
- A 3.6
- X 3 Bolt / 1" Pipe
- ⊗ SAE J845 Class I, CE, R10
- 🕒 2 Year

AVAILABLE COLORS (EB7180 / EB7185)
Amber, Clear/Amber/Amber, Clear/Amber/Clear & Clear/Clear/Clear



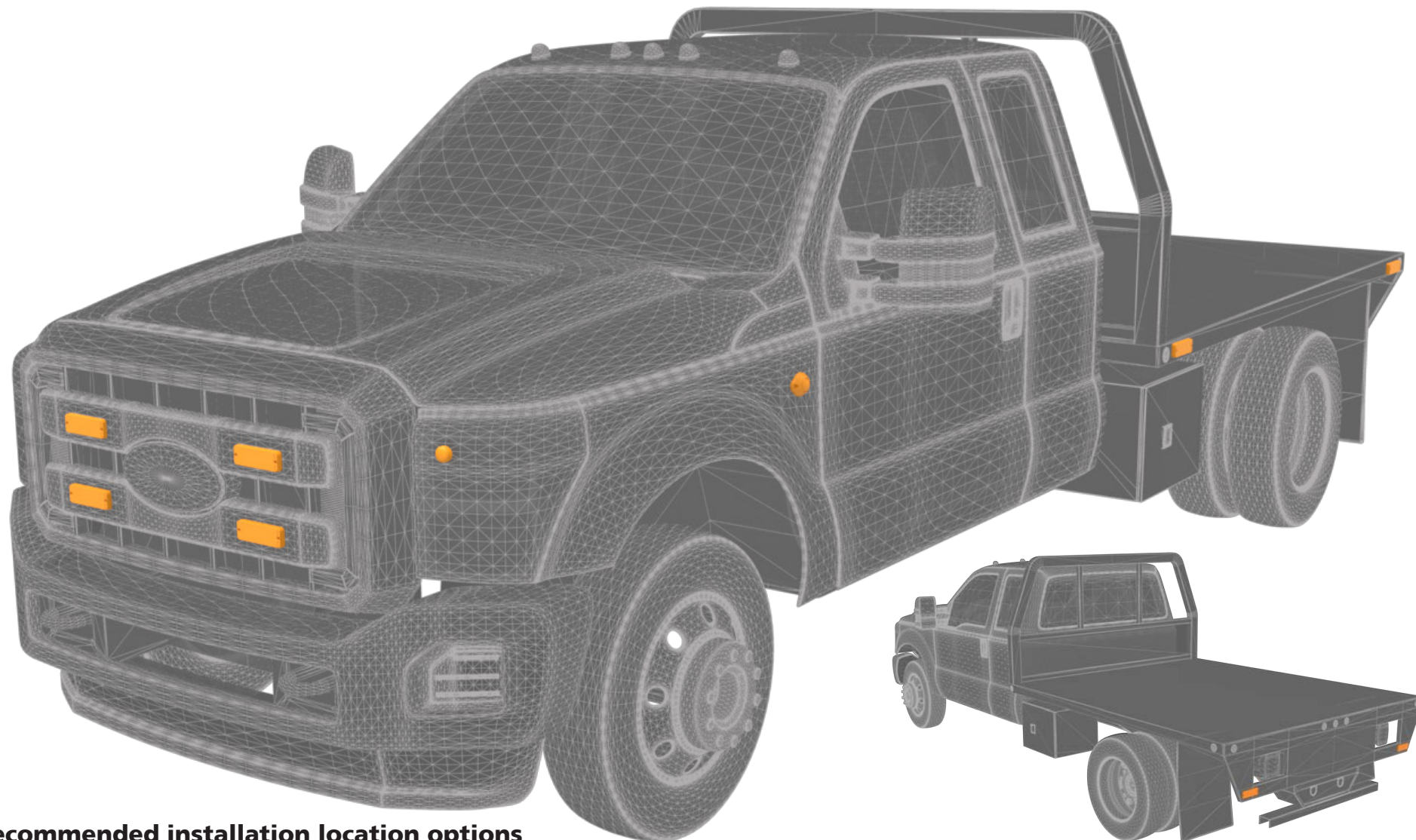
CAA models = clear lens / amber illumination | CAC models = clear lens / amber and clear illumination
CCC models = clear lens / clear illumination

AVAILABLE COLORS (7900 SERIES)
Amber, Blue, Clear, Green & Red



CA models = clear lens / amber illumination | CC models = clear lens / clear illumination

DIRECTIONAL LEDs



Recommended installation location options

HIGHWAY SOLUTIONS



- # **ED3701A** Solid- or split-color
C Amber
V 12-24
A 0.8
X 2 Bolt
Ⓢ SAE J595 Class I
 California Title 13, R65, R10
Ⓟ 3 Year

AVAILABLE COLORS

Amber, Blue, Clear, Green, Red, Amber/Blue, Amber/Clear, Amber/Green, Amber/Red, Blue/Clear, Red/Blue & Red/Clear



- # **ED3706A** Solid- or split-color
C Amber
V 12-24
A 0.9
X Multi-Mount (surface, tilt bracket, self-adhesive, edge)
Ⓢ SAE J595 Class I, California Title 13, R65, R10, IP67
Ⓟ 3 Year

AVAILABLE COLORS

Amber, Blue, Clear, Green, Red, Amber/Blue, Amber/Clear, Amber/Green, Amber/Red, Red/Blue



- # **3811A**
C Amber
V 12-24
A 0.4
X 2 Bolt
Ⓢ SAE J595 Class I
 CE, R10
Ⓟ 3 Year

AVAILABLE COLORS

Amber, Blue, Clear & Red



- # **3861A**
C Amber
V 12-24
A 0.4
X Grommet
Ⓢ SAE J595 Class I
 CE, R10
Ⓟ 3 Year



- # **ED3702AC** Dual-color
C Amber/Clear
V 12-24
A 0.6
X 2 Bolt
Ⓢ SAE J595 Class I
 California Title 13, R65, R10
Ⓟ 3 Year

AVAILABLE COLORS

Amber/Blue, Amber/Clear, Amber/Green, Amber/Red, Blue/Clear, Red/Blue & Red/Clear



- # **ED3712AC** Dual-color
C Amber/Clear
V 12-24
A 0.9
X Multi-Mount (surface, tilt bracket, self-adhesive, edge)
Ⓢ SAE J595 Class I, California Title 13, R65, R10
Ⓟ 3 Year

AVAILABLE COLORS

Amber/Blue, Amber/Clear, Amber/Green, Amber/Red, Blue/Clear, Red/Blue & Red/Clear



- # **3510A**
C Amber
V 12-24
A 0.75
X 2 Bolt
Ⓢ SAE J595 Class I
 California Title 13, CE, R10
Ⓟ 5 Year

AVAILABLE COLORS

Amber, Blue, Clear, Green & Red



- # **3703A / 3704A / 3705A**
C Amber
V 12-24
A 0.5
X 2 Bolt
Ⓢ SAE J595 Class I, R10
Ⓟ 3 Year

AVAILABLE COLORS

Amber, Blue, Clear, Green & Red

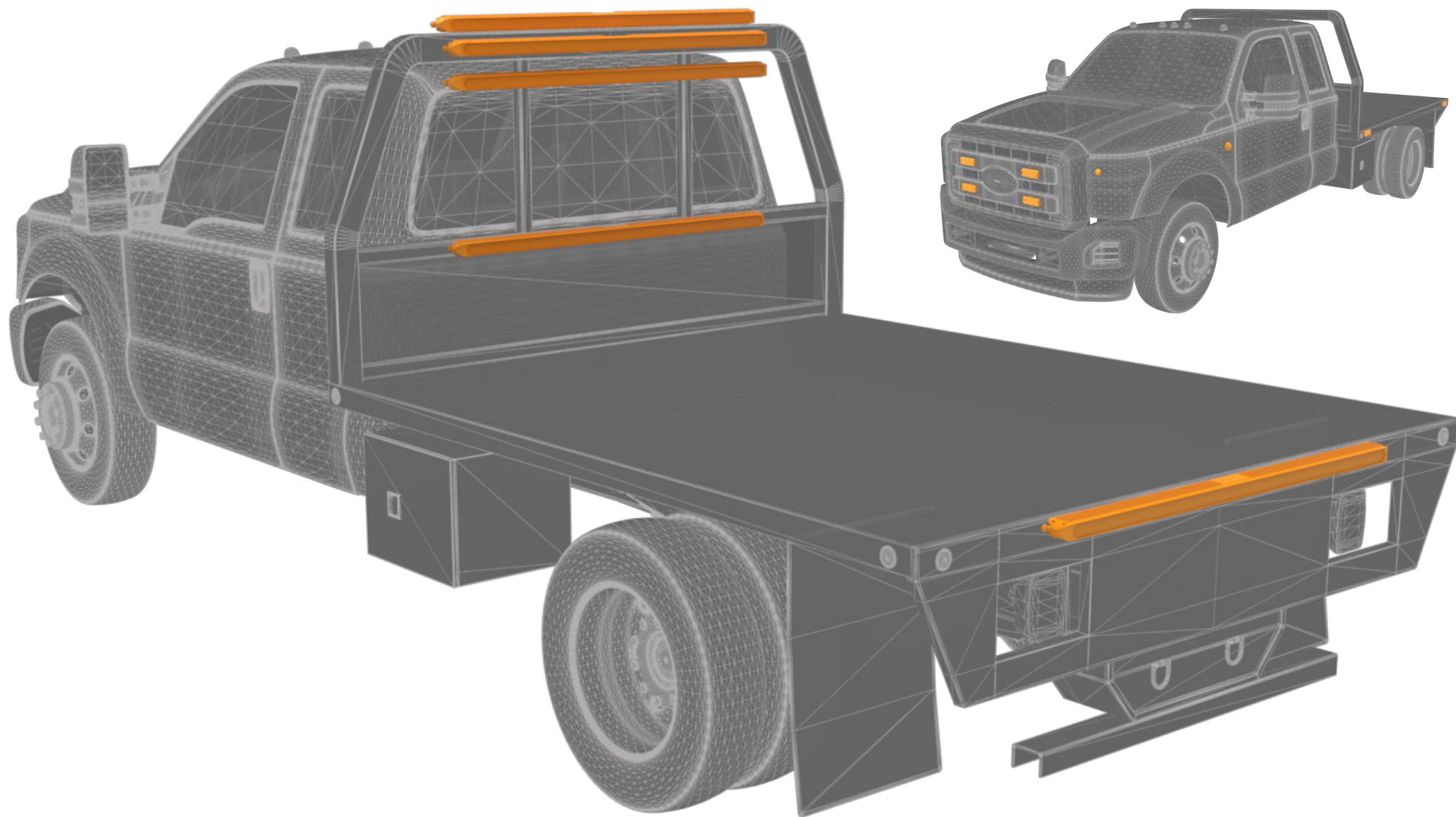


(3704 & 3705 only)

Synchronization Capable

Where applicable, change A in part number to available color

DIRECTIONAL WARNING



Recommended installation location options

HIGHWAY SOLUTIONS

3400 Series Safety Director

SAE Class I LED Safety Director



- # 3410A
- C Amber
- ⊙ 15'
- V 12
- A 1.6
- ⊕ SAE J595 Class I
CE, R10
- ⌚ 3 Year

Hide-A-LED Hide-A-LED

Concealed Warning LEDs



- # 9011A
- C Amber
- T 4 LEDs
1 Head
- V 12-24
- A 0.35
- ✖ 2 Bolt
- ⊕ CE, R10
- ⌚ 5 Year



- # 9013A
- C Amber
- T 6 LEDs
1 Head
- V 12-24
- A 1.25
- ✖ 2 Bolt
- ⊕ CE, R10
- ⌚ 5 Year

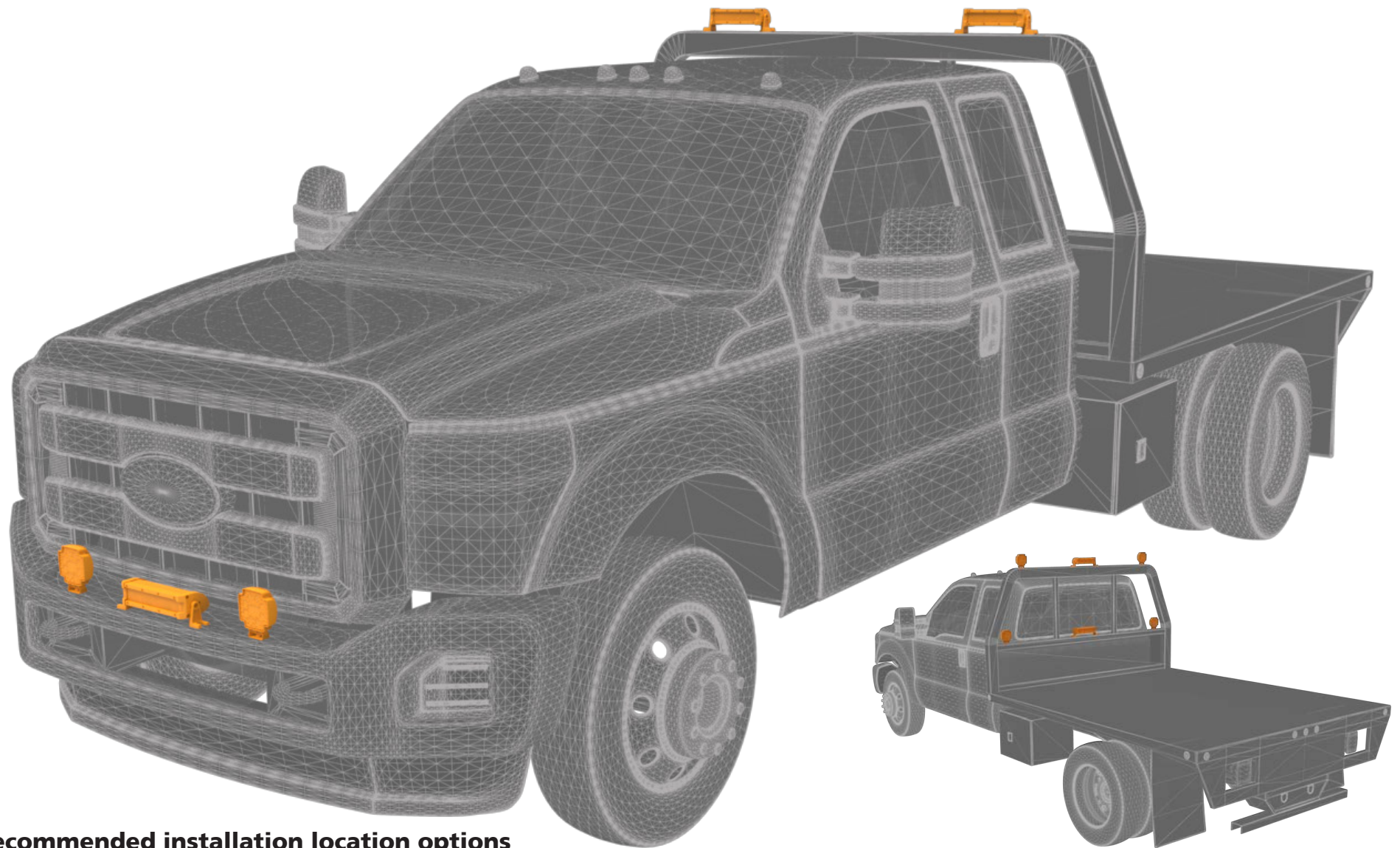


- # 9014A
- C Amber
- T 6 LEDs
1 Head
- V 12-24
- A 0.9
- ✖ 2 Bolt
- ⊕ CE, R10, IP67
- ⌚ 2 Year

AVAILABLE COLORS
Amber, Blue, Clear & Red



WHITE LIGHTING



Recommended installation location options

HIGHWAY SOLUTIONS

Worklamps



EW2471
V 12-24
A 1.2
L 550 Raw, 500 Effective
 Flood
 CE, R10, IP67
 3 Year



EW2481
V 12-24
A 1.2
L 600 Raw, 600 Effective
 Flood
 CE, R10, IP67
 3 Year



EW2491
V 12-24
A 1.2
L 550 Raw, 450 Effective
 Flood
 CE, R10, IP67
 3 Year




E92004
V 12-24
A 0.6
L 800 Raw, 700 Effective
 Flood
 CE, R10
 3 Year



E92006
V 12-24
A 1.3
L 1300 Raw, 1200 Effective
 Flood
 CE
 2 Year



EW2102 
V 12-24
A 2.6
L 2000 Raw, 1600 Effective
 Flood
 CE, R10, IP67
 3 Year



EW2411
V 12-24
A 1.3
L 1000 Raw, 900 Effective
 Flood
 IP67, CE, R10
 3 Year



EW2421
V 12-24
A 2
L 2400 Raw, 2200 Effective
 Flood
 IP67, CE
 3 Year



EW2431
V 12-24
A 3.1
L 2600 Raw, 2100 Effective
 Flood
 IP67, CE
 3 Year



EW2450
V 12-24
A 2.2
L 1300 Raw, 1100 Effective
 Spot
 CE
 3 Year



EW2451
V 12-24
A 2.2
L 1300 Raw, 1100 Effective
 Flood
 CE
 3 Year



EW2101A
V Amber
A 12-24
L 1.8
 Flood
 CE, R10, IP67
 3 Year

Utility Bars



EW3108-F
T 8" Single Row
V 12-24
A 1.9
L 1100 Raw, 1000 Effective
 Flood
 IP67, R10
 3 Year



EW3208-F
T 8" Double Row
V 12-24
A 3.8
L 2150 Raw, 1950 Effective
 Flood
 IP67, R10
 3 Year



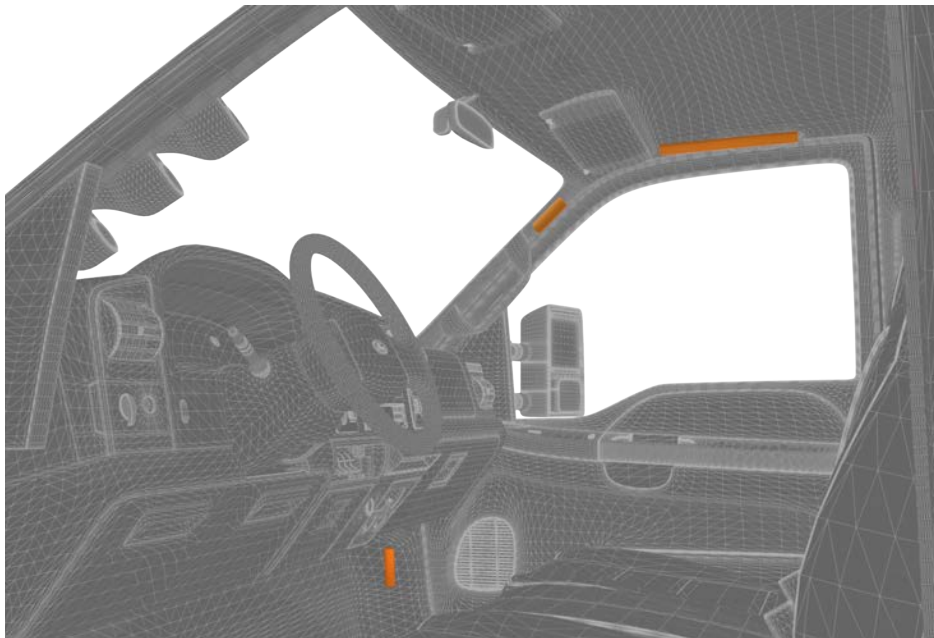
EW3114
T 14" Single Row
V 12-24
A 5.7
L 3350 Raw, 2600 Effective
 Flood / Spot Combo
 IP67, R10
 3 Year



EW3214
T 14" Double Row
V 12-24
A 9.3
L 6700 Raw, 4800 Effective
 Flood / Spot Combo
 IP67, R10
 3 Year

Additional utility bar lengths & configurations available

INTERIOR LIGHTING



Recommended installation location options

HIGHWAY SOLUTIONS

Strip Lighting



- 12"**
- # EW0116
 - T 18 LED
 - V 12
 - A 0.4
 - L 350 Raw, 350 Effective
 - Flood
 - CE, RoHS, IP65
 - 3 Year



- 24"**
- # EW0117
 - T 36 LED
 - V 12
 - A 0.7
 - L 700 Raw, 700 Effective
 - Flood
 - CE, RoHS, IP65
 - 3 Year

ACCESSORIES

EZ0120 PIR Motion Sensor - 110° cone, adjustable sensitivity (automatically activates light when human movement is detected)



Interior Lighting



- 4.5" CLEAR**
- # EW0310
 - T 4 LED
 - V 12-24
 - A 0.1
 - L 100 Raw, 100 Effective
 - Flood
 - CE, RoHS
 - 3 Year



- 7" CLEAR**
- # EW0320
 - T 8 LED
 - V 12-24
 - A 0.1
 - L 200 Raw, 200 Effective
 - Flood
 - CE, RoHS,
 - 3 Year



- 14" MODULAR FROST**
- # EW0351
 - T 16 LED
 - V 12
 - A 0.5
 - L 300 Raw, 250 Effective
 - Flood
 - CE, RoHS
 - 3 Year



CONNECT MULTIPLE UNITS TOGETHER



Multiple lengths available



- 5.5"**
- # EW0400
 - T 10 LED
 - V 12-24
 - A 0.4
 - L 200 Raw, 200 Effective
 - Flood
 - CE, R10, RoHS, IP64
 - 3 Year



- 12"**
- # EW0401
 - T 22 LED
 - V 12-24
 - A 0.7
 - L 450 Raw, 450 Effective
 - Flood
 - CE, R10, RoHS, IP64
 - 3 Year

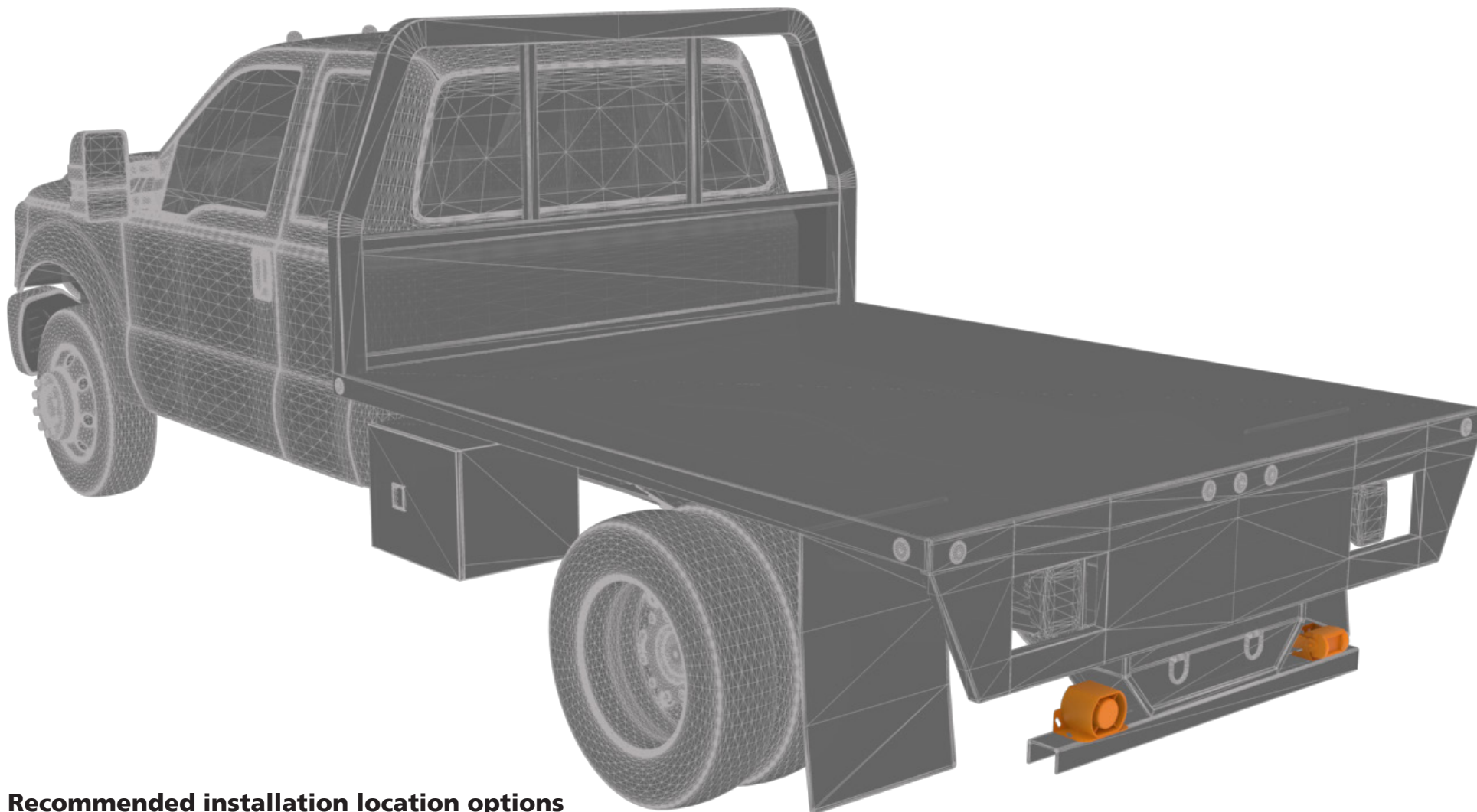


- 13"**
- # EW0700
 - T 6 LED
 - V 12-24
 - A 0.5
 - L 400 Raw, 350 Effective
 - Flood
 - CE, RoHS
 - 3 Year



- 22"**
- # EW0701
 - T 12 LED
 - V 12-24
 - A 0.9
 - L 1250 Raw, 1200 Effective
 - Flood
 - CE, RoHS
 - 3 Year

REVERSING SAFETY



Recommended installation location options

HIGHWAY SOLUTIONS

Back-Up Alarms



- # 510
- T SRC*
- V 12
- dB(A) 97
- A 0.2
- X 2 Bolt
- ⊗ SAE J994 Type C, CE, R10, UL, AMECA, IP65
- 🕒 2 Year

- # 530
- T SRC*
- V 12-24
- dB(A) 102
- A 1.0
- X 2 Bolt
- ⊗ SAE J994 Type F CE, R10, UL, IP65
- 🕒 2 Year

- # SA950 SMART ALARM
- V 12-24
- dB(A) 82-102
- A 0.4
- X 2 Bolt
- ⊗ CE, R10, UL, IP65
- 🕒 2 Year



- # 630N
- V 12-36
- dB(A) 107
- A 1.2
- X 2 Bolt
- ⊗ SAE J994 Type B, CE, R10, UL, AMECA
- 🕒 ECCOLIFE™

- # SA901N
- V 12-24
- dB(A) 82-107
- A 0.3
- X 2 Bolt
- ⊗ CE, R10, UL, IP64
- 🕒 ECCOLIFE™

Multi-Frequency Alarms



- # EA5200 MULTI FREQUENCY
- V 12-24
- dB(A) 97
- A 1.0
- X 2 Bolt
- ⊗ SAE J994 Type C CE, R10, AMECA
- 🕒 2 Year



- # EA9724 MULTI FREQUENCY SMART ALARM
- V 12-24
- dB(A) 77-97
- A 0.7
- X 2 Bolt
- ⊗ SAE J994 Type F, CE, R10
- 🕒 ECCOLIFE™

Camera Systems



- EC5603-K** Gemincye
- 5.6" LCD color system
- Touchscreen menu control
- CMOS 11 LED infrared camera
- Includes monitor sunshade
- Three camera expandable
- One year warranty



- EC5605-WK** Gemincye
- 5.6" LCD color system
- 2.4 GHz digital wireless system
- Touchscreen menu control
- CMOS 11 LED infrared camera
- 2 Bolt
- Includes monitor sunshade
- Four camera expandable
- One year warranty



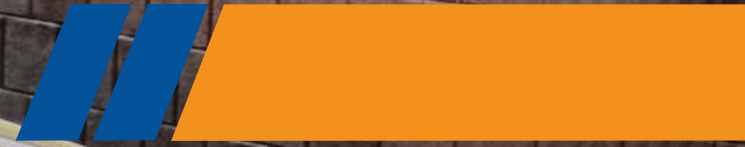
- K7000B** Gemincye
- 7" LCD color system
- CMOS 18 LED infrared camera
- Includes monitor sunshade
- Two camera expandable
- One year warranty



- EC7000-QK** Gemincye
- 7" Quad view LCD color system
- Quad view, split screen
- CMOS 11 LED infrared camera
- Four camera expandable
- One year warranty



- EC7003-K** Gemincye
- 7" LCD color system
- Touchscreen menu control
- CMOS 11 LED infrared camera
- Includes monitor sunshade
- Three camera expandable
- One year warranty



TRANSIT VAN SOLUTIONS

GETTING THE JOB DONE

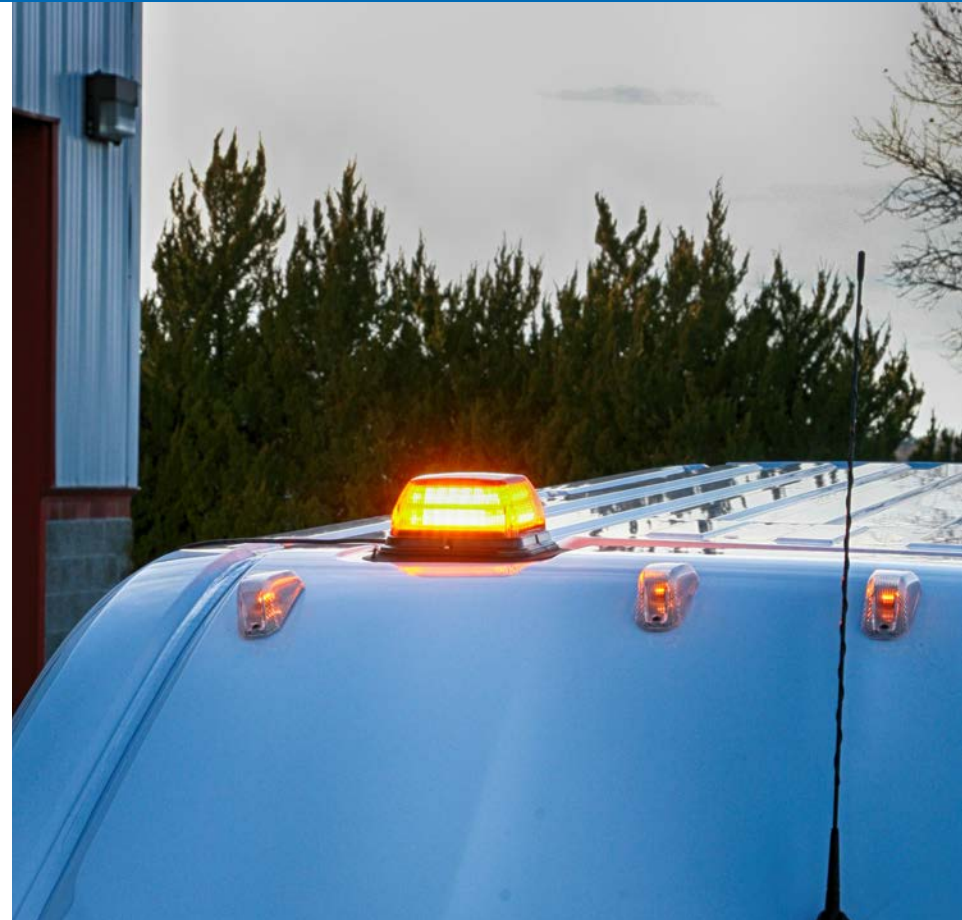
SAFELY



In the past few years, the popularity of transit vans has risen tremendously in North America. The versatility of the vehicle has proven to be ideal for everyone from utility fleet owners to construction site workers. And because vans can serve so many different industries, the need for safety and warning equipment is monumental.

There are many benefits to a transit van – one of the most popular being its ability to be customized to the needs of almost any user. Shelving and racks can help tradesmen stay organized, while benches can help move a small construction crew and their materials in one trip.

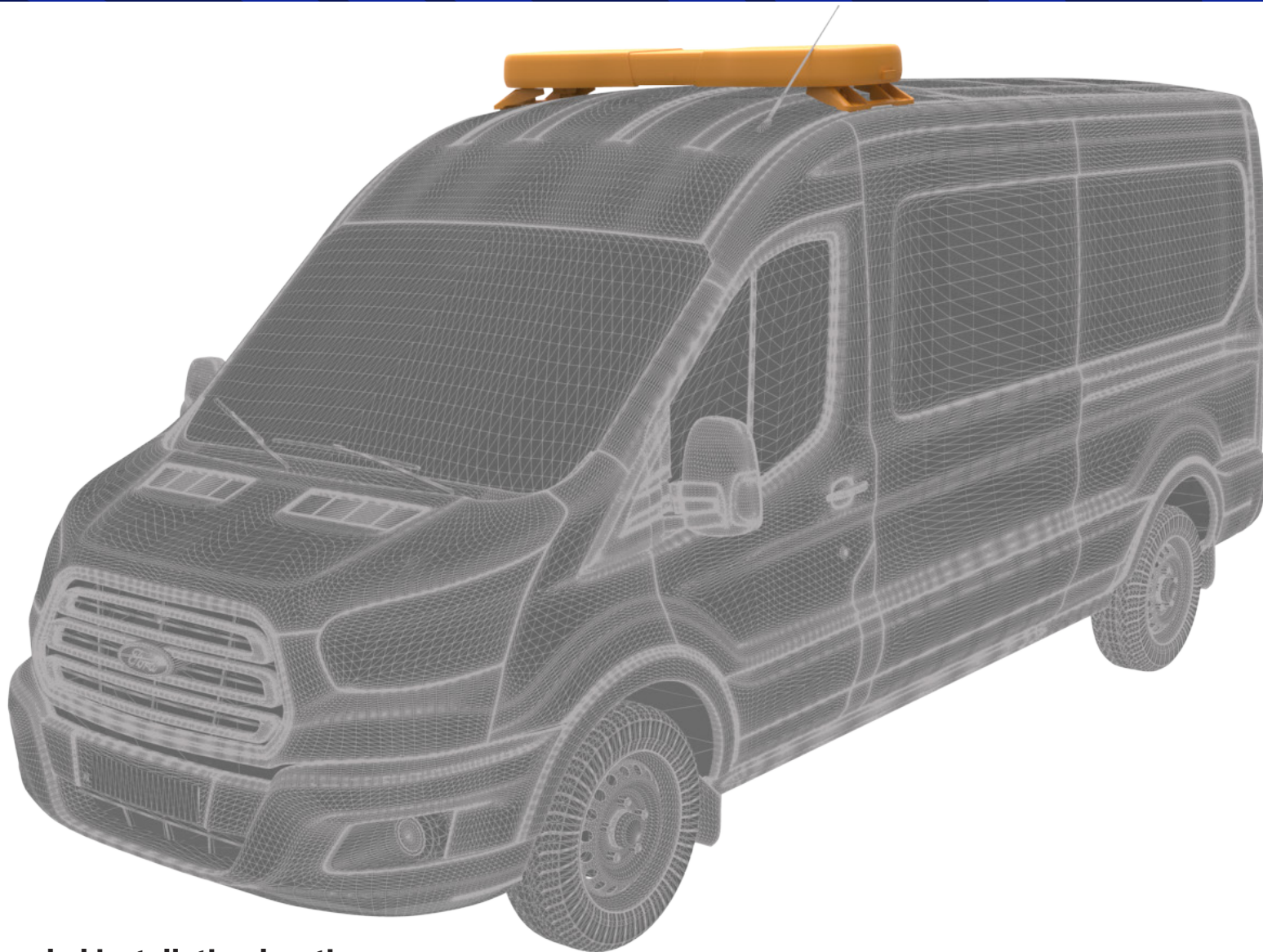
No matter your needs, safety is always a priority. ECCO offers an extensive line of lighting and warning solutions that are ideally suited for all types of transit van applications. High-intensity LED warning light signals provides optimal rear and front visibility. Reversing safety solutions, which include industry-leading back-up alarms and camera systems, assist drivers with blind spots and help alert others of reversing vehicles.



Take a look at our extensive line of products that will help you get your transit van job ready in no time.



LIGHTBARS



Recommended installation location

TRANSIT VAN SOLUTIONS

12 Series

SAE Class I LED Lightbar



54" # 12-00002-E

- C** Amber
- T** 16 LEDs
- V** 12-24
- A** 7.2
- ☑ SAE J845 Class I, California Title 13, CE, R10
- 🕒 3 Year



60" # 12-00003-E

- C** Amber
- T** 16 LEDs
- V** 12-24
- A** 7.2
- ☑ SAE J845 Class I, California Title 13, CE, R10
- 🕒 3 Year

14 Series

SAE Class I Modular LED Lightbar



39" # 14-00005-E

- C** Amber
- T** 8 LEDs
- V** 12-24
- A** 7.2
- ☑ SAE J845 Class I, Cal. Title 13, R65, R10
- 🕒 5 Year



48" # 14-00006-E

- C** Amber
- T** 12 LEDs, 1 Safety Director
- V** 12-24
- A** 13.3
- ☑ SAE J845 Class I, Cal. Title 13, R65, R10
- 🕒 5 Year

21 Series

SAE Class I LED Lightbar



22" # 21-00002-E

- C** Amber
- T** 6 LEDs
- V** 12
- A** 3.0
- ☑ SAE J845 Class I, Cal. Title 13
- 🕒 5 Year



47" # 21-00004-E

- C** Amber
- T** 14 LEDs
- V** 12
- A** 7.0
- ☑ SAE J845 Class I, Cal. Title 13
- 🕒 5 Year



52" # 21-00009-E

- C** Amber
- T** 16 LEDs, 6 Module Safety Director
- V** 12
- A** 8.0
- ☑ SAE J845 Class I, Cal. Title 13
- 🕒 5 Year

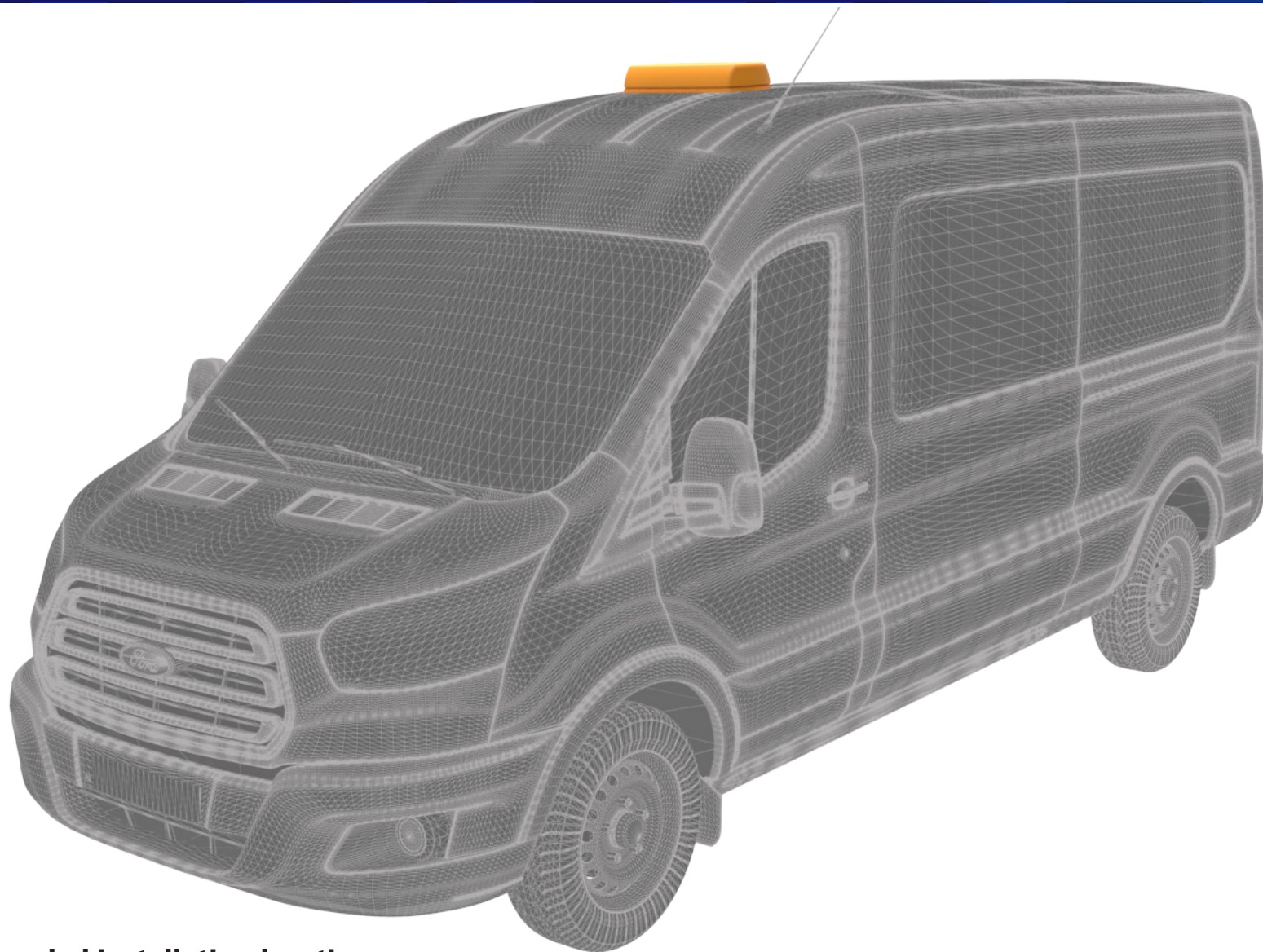
AVAILABLE COLORS (12, 14, & 21 Series)

Amber, Blue, Green, Red & White



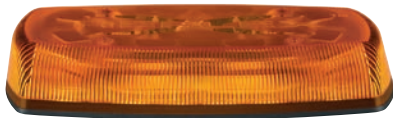
Custom configurations available

MINIBARS



Recommended installation location

TRANSIT VAN SOLUTIONS



5585A REFLEX

- C** Amber
- V** 12-24
- A** 5.1
- X** 4 Bolt
- ☑ SAE J845 Class I, CE, R10, IP65
- 🕒 3 Year

AVAILABLE COLORS

Amber, Blue, Clear, Green, Red & Amber/Clear
(MG models amber illumination only)



5587A REFLEX

- C** Amber
- V** 12-24
- A** 5.1
- X** 4 Bolt
- ☑ SAE J845 Class I, CE, R10, IP65
- 🕒 3 Year

AVAILABLE COLORS

Amber, Clear, Amber/Clear
(MG models amber & amber/clear only)



5590A REFLEX

- C** Amber
- V** 12-24
- A** 6.0
- X** 4 Bolt
- ☑ SAE J845 Class I
California Title 13, CE, R10, IP65
- 🕒 3 Year

AVAILABLE COLORS

Amber, Blue, Clear, Green & Red
(MG models amber & amber/clear only)

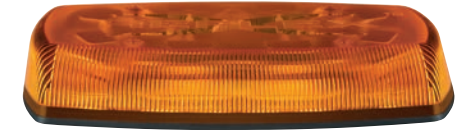


5597A REFLEX

- C** Amber
- V** 12-24
- A** 6.0
- X** 4 Bolt
- ☑ SAE J845 Class I, California Title 13,
CE, R10, IP65
- 🕒 3 Year

AVAILABLE COLORS

Amber, Clear, Amber/Clear
(MG models amber & amber/clear only)



5580A REFLEX

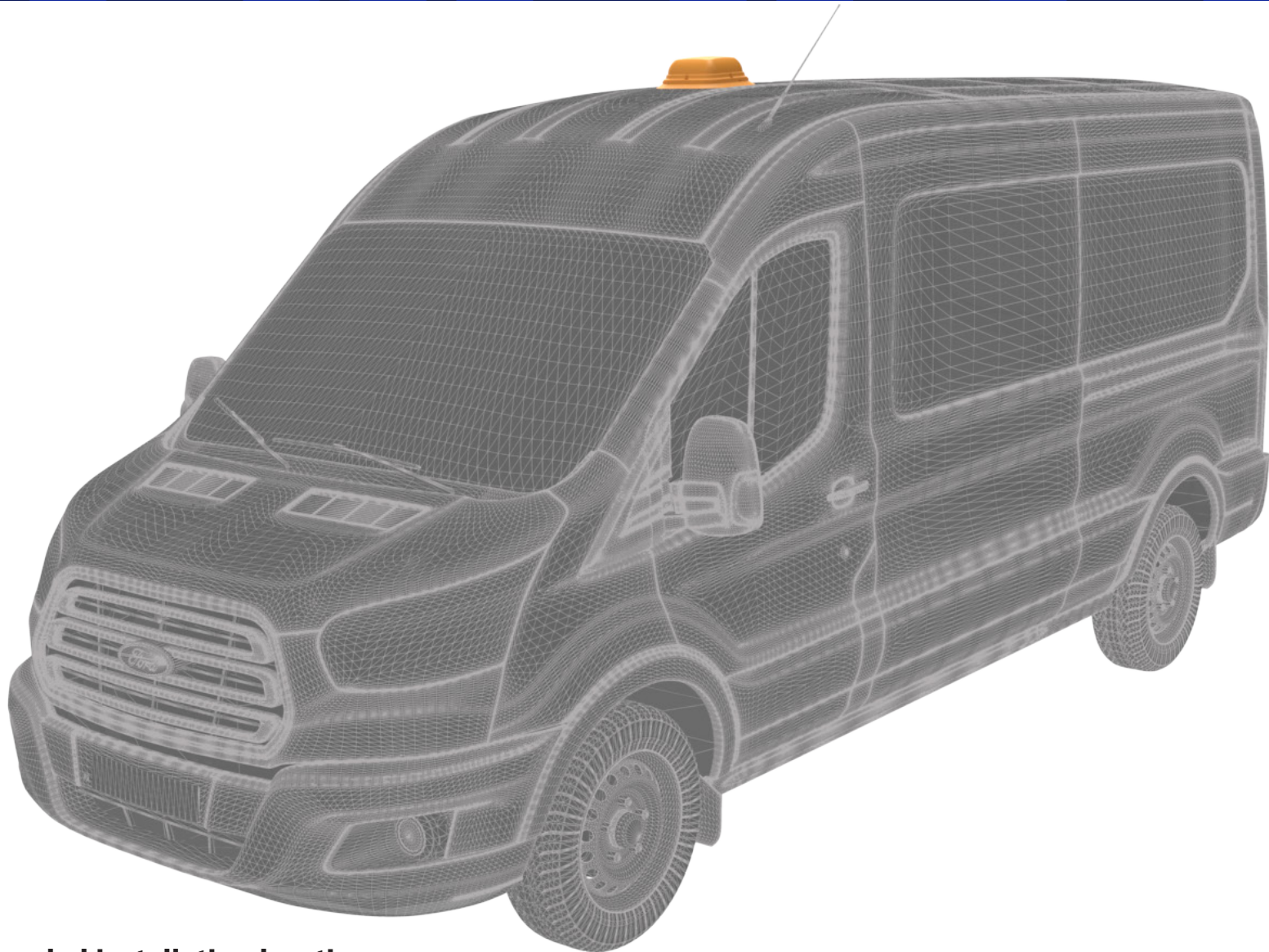
- C** Amber
- V** 12-24
- A** 2.7
- X** 4 Bolt
- ☑ SAE J845 Class II, CE, R10, IP65
- 🕒 3 Year

AVAILABLE COLORS

Amber



BEACONS



Recommended installation location

TRANSIT VAN SOLUTIONS



- # 7945A
- C Amber
- V 12-48
- A 1.3
- X 3 Bolt / 1" Pipe
- ⊗ SAE J845 Class II, CE, R10
- ⌚ 2 Year



- # 7950A
- C Amber
- V 12-48
- A 1.3
- X 3 Bolt / 1" Pipe
- ⊗ SAE J845 Class II, CE, R10
- ⌚ 2 Year



- # 7965A
- C Amber
- V 12-24
- A 3.6
- X 3 Bolt / 1" Pipe
- ⊗ SAE J845 Class I, CE, R10
- ⌚ 2 Year



- # 7970A
- C Amber
- V 12-24
- A 3.6
- X 3 Bolt / 1" Pipe
- ⊗ SAE J845 Class I, CE, R10
- ⌚ 2 Year

AVAILABLE COLORS (7900 SERIES)
Amber, Blue, Clear, Green & Red



CA models = clear lens / amber illumination | CC models = clear lens / clear illumination



- # EB7180A
- C Amber
- V 12-24
- A 6.2
- X 3 Bolt / 1" Pipe
- ⊗ SAE J845 Class I, Cal. Title 13, R10, IP55, AMECA
- ⌚ 3 Year



- # EB7180A-VM
- C Amber
- V 12-24
- A 6.2
- X Vacuum-Magnet
- ⊗ SAE J845 Class I, Cal. Title 13, R10, IP55, AMECA
- ⌚ 3 Year



- # EB7185A Dual-color
- C Amber
- V 12-24
- A 8.6
- X 3 Bolt / 1" Pipe
- ⊗ SAE J845 Class I, Cal. Title 13, R10, IP55, AMECA
- ⌚ 3 Year



- # EB7185A-VM Dual-color
- C Amber
- V 12-24
- A 8.6
- X Vacuum-Magnet
- ⊗ SAE J845 Class I, Cal. Title 13, R10, IP55, AMECA
- ⌚ 3 Year

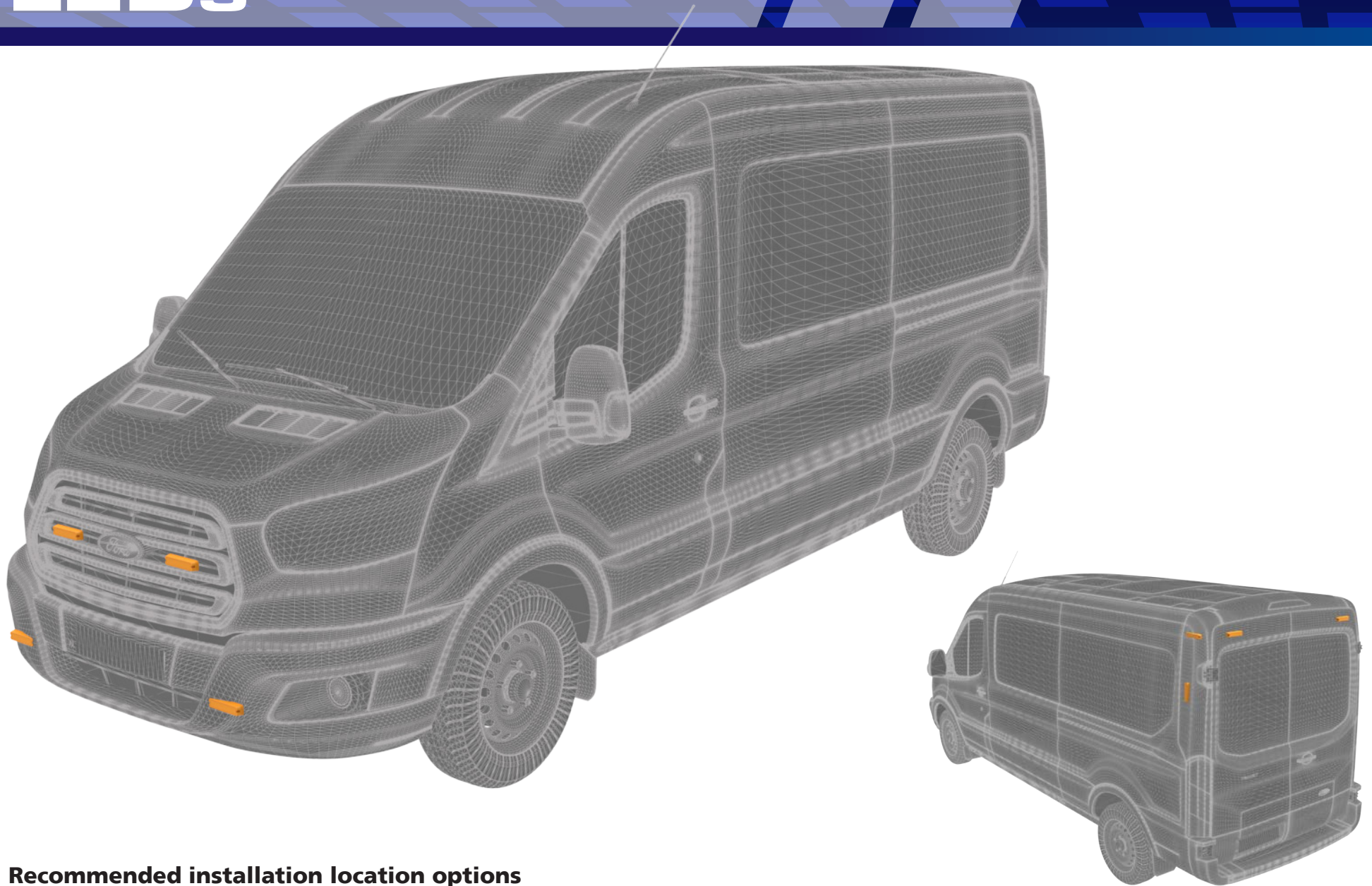
AVAILABLE COLORS (EB7180 / EB7185)
Amber, Clear/Amber/Amber, Clear/Amber/Clear & Clear/Clear/Clear



CAA models = clear lens / amber illumination | CAC models = clear lens / amber and clear illumination | CCC models = clear lens / clear illumination

Where applicable, change A in part number to available color

DIRECTIONAL LEDs



Recommended installation location options

TRANSIT VAN SOLUTIONS



- # ED3701A Solid- or split-color
- C Amber
- V 12-24
- A 0.8
- X 2 Bolt
- ☑ SAE J595 Class I
California Title 13, R65, R10
- 🕒 3 Year

AVAILABLE COLORS

Amber, Blue, Clear, Green, Red, Amber/Blue, Amber/Clear, Amber/Green, Amber/Red, Blue/Clear, Red/Blue & Red/Clear



- # ED3706A Solid- or split-color
- C Amber
- V 12-24
- A 0.9
- X Multi-Mount (surface, tilt bracket, self-adhesive, edge)
- ☑ SAE J595 Class I, California Title 13, R65, R10, IP67
- 🕒 3 Year

AVAILABLE COLORS

Amber, Blue, Clear, Green, Red, Amber/Blue, Amber/Clear, Amber/Green, Amber/Red, Red/Blue



- # 3510A
- C Amber
- V 12-24
- A 0.75
- X 2 Bolt
- ☑ SAE J595 Class I
California Title 13, CE, R10
- 🕒 5 Year

AVAILABLE COLORS

Amber, Blue, Clear, Green & Red



- # ED3702AC Dual-color
- C Amber/Clear
- V 12-24
- A 0.6
- X 2 Bolt
- ☑ SAE J595 Class I
California Title 13, R65, R10
- 🕒 3 Year

AVAILABLE COLORS

Amber/Blue, Amber/Clear, Amber/Green, Amber/Red, Blue/Clear, Red/Blue & Red/Clear



- # ED3712AC Dual-color
- C Amber/Clear
- V 12-24
- A 0.9
- X Multi-Mount (surface, tilt bracket, self-adhesive, edge)
- ☑ SAE J595 Class I, California Title 13, R65, R10
- 🕒 3 Year

AVAILABLE COLORS

Amber/Blue, Amber/Clear, Amber/Green, Amber/Red, Blue/Clear, Red/Blue & Red/Clear



- # 3703A / 3704A / 3705A
- C Amber
- V 12-24
- A 0.5
- X 2 Bolt
- ☑ SAE J595 Class I, R10
- 🕒 3 Year

AVAILABLE COLORS

Amber, Blue, Clear, Green & Red

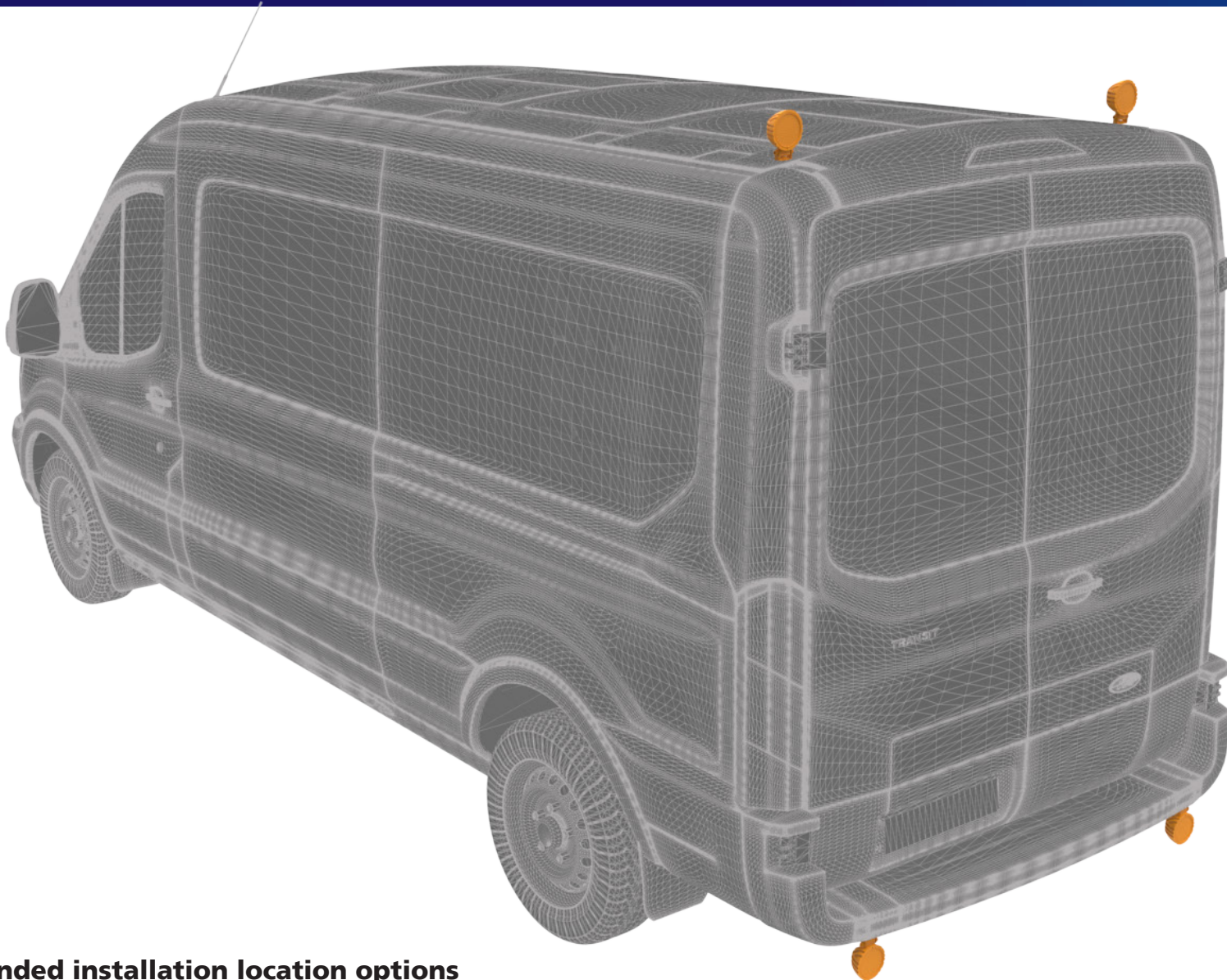


(3704 & 3705 only)

Synchronization Capable

Where applicable, change A in part number to available color

WORKLAMPS



Recommended installation location options

TRANSIT VAN SOLUTIONS



EW2471
 V 12-24
 A 1.2
 L 550 Raw, 500 Effective
 Flood
 CE, R10, IP67
 3 Year



EW2481
 V 12-24
 A 1.2
 L 600 Raw, 600 Effective
 Flood
 CE, R10, IP67
 3 Year



EW2491
 V 12-24
 A 1.2
 L 550 Raw, 450 Effective
 Flood
 CE, R10, IP67
 3 Year





EW2450
 V 12-24
 A 2.2
 L 1300 Raw, 1100 Effective
 Spot
 CE
 3 Year




EW2451
 V 12-24
 A 2.2
 L 1300 Raw, 1100 Effective
 Flood
 CE
 3 Year



EW2461CA-NA
 C Clear  / Amber 
 V 12-24
 L 650 Raw, 600 Effective (clear)
 Flood
 1 Year



EW2102 
 V 12-24
 A 2.6
 L 2000 Raw, 1600 Effective
 Flood
 CE, R10, IP67
 3 Year

INTERIOR LIGHTING



Recommended installation location options

TRANSIT VAN SOLUTIONS

Strip Lighting



- 12"**
- # EW0116
 - T 18 LED
 - V 12
 - A 0.4
 - L 350 Raw, 350 Effective
 - Flood
 - CE, RoHS, IP65
 - 3 Year



- 24"**
- # EW0117
 - T 36 LED
 - V 12
 - A 0.7
 - L 700 Raw, 700 Effective
 - Flood
 - CE, RoHS, IP65
 - 3 Year

ACCESSORIES

EZO120 PIR Motion Sensor - 110° cone, adjustable sensitivity (automatically activates light when human movement is detected)



Interior Lighting



- 4.5" CLEAR**
- # EW0310
 - T 4 LED
 - V 12-24
 - A 0.1
 - L 100 Raw, 100 Effective
 - Flood
 - CE, RoHS
 - 3 Year



- 7" CLEAR**
- # EW0320
 - T 8 LED
 - V 12-24
 - A 0.1
 - L 200 Raw, 200 Effective
 - Flood
 - CE, RoHS,
 - 3 Year



- 14" MODULAR FROST**
- # EW0351
 - T 16 LED
 - V 12
 - A 0.5
 - L 300 Raw, 250 Effective
 - Flood
 - CE, RoHS
 - 3 Year



CONNECT MULTIPLE UNITS TOGETHER

Multiple lengths available



- 7"**
- # EW0500
 - T 42 LED
 - V 12-24
 - A 0.5
 - L 250 Raw, 200 Effective
 - Flood
 - CE, R10, RoHS
 - 3 Year



- 15"**
- # EW0503
 - T 108 LED
 - V 12-24
 - A 0.8
 - L 600 Raw, 550 Effective
 - Flood
 - CE, R10, RoHS
 - 3 Year



- 18"**
- # EW0600
 - T 96 LED
 - V 12-24
 - A 1.7
 - L 2000 Raw, 1900 Effective
 - Flood
 - CE, RoHS
 - 3 Year



- 33"**
- # EW0602
 - T 192 LED
 - V 12-24
 - A 3.6
 - L 4900 Raw, 4800 Effective
 - Flood
 - CE, RoHS
 - 3 Year

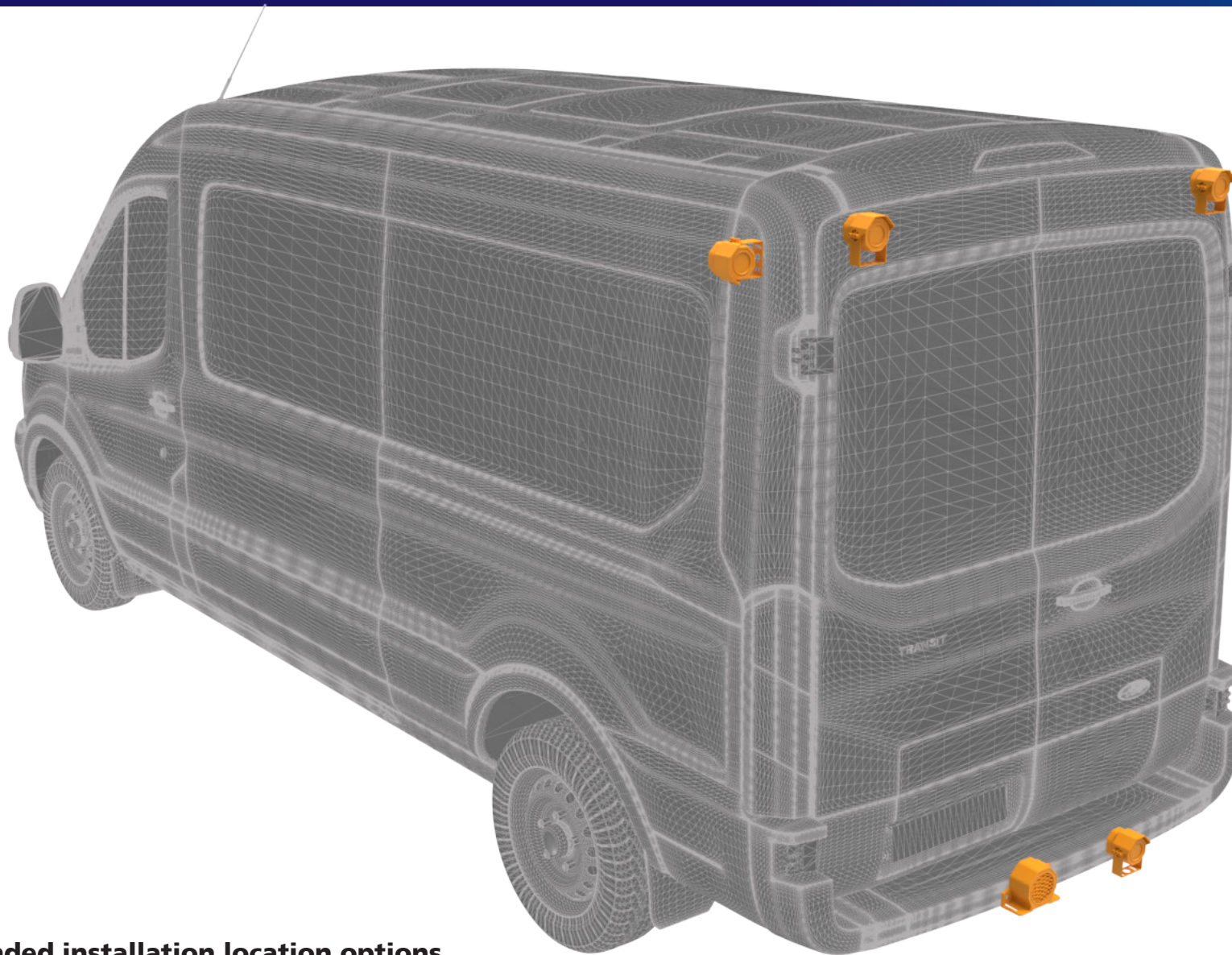


- 13"**
- # EW0700
 - T 6 LED
 - V 12-24
 - A 0.5
 - L 400 Raw, 350 Effective
 - Flood
 - CE, RoHS
 - 3 Year



- 22"**
- # EW0701
 - T 12 LED
 - V 12-24
 - A 0.9
 - L 1250 Raw, 1200 Effective
 - Flood
 - CE, RoHS
 - 3 Year

REVERSING SAFETY



Recommended installation location options

TRANSIT VAN SOLUTIONS

Back-Up Alarm



510
 SRC*
 12
 97
 0.2
 2 Bolt
 SAE J994 Type C
 CE, R10, UL, AMECA, IP65
 2 Year

Multi-Frequency Alarm



EA5200 MULTI-FREQUENCY
 12-24
 97
 1.0
 2 Bolt
 SAE J994 Type C
 CE, R10, AMECA
 2 Year

Camera Systems



EC5603-K Geminye
 5.6" LCD color system
 Touchscreen menu control
 CMOS 11 LED infrared camera
 Includes monitor sunshade
 Three camera expandable
 One year warranty



EC5605-WK Geminye
 5.6" LCD color system
 2.4 GHz digital wireless system
 Touchscreen menu control
 CMOS 11 LED infrared camera
 2 Bolt
 Includes monitor sunshade
 Four camera expandable
 One year warranty



EC4200-K Geminye
 4.3" LCD Color Mirror System
 Non-commercial applications
 Mirror integrated monitor
 Flush mount CMOS 10 LED
 infrared camera
 Two camera expandable
 One year warranty



EC7003-K Geminye
 7" LCD color system
 Touchscreen menu control
 CMOS 11 LED infrared camera
 Includes monitor sunshade
 Three camera expandable
 One year warranty