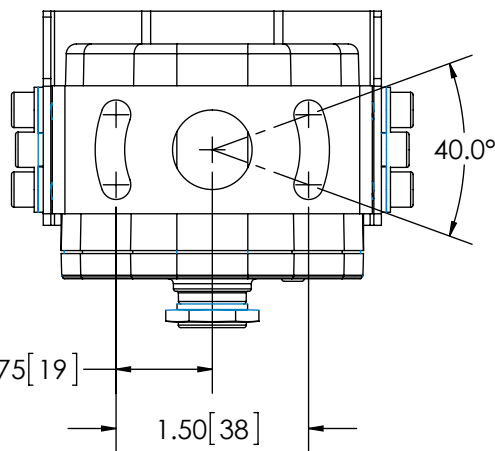
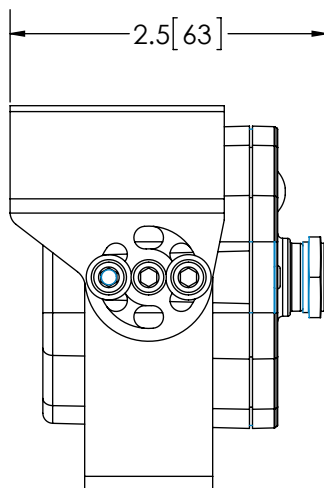
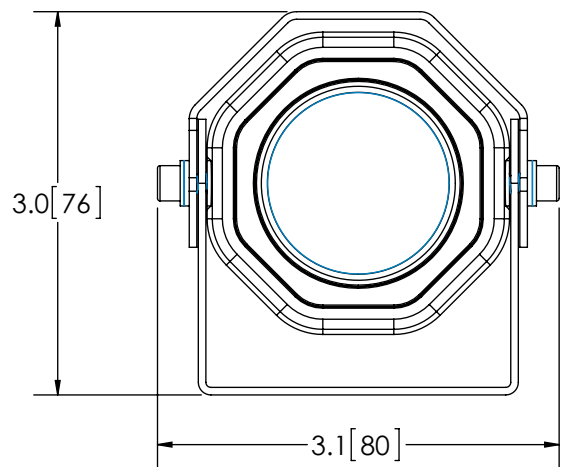


REVISION HISTORY		
REV.	DESCRIPTION	DATE
02	REVISED PER EC3486	2014-01-30
03	REVISED PER EC3486	2014-02-21
A	INITIAL RELEASE PER EC3486	2014-02-28




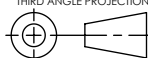
SPECIFICATIONS

- CERTIFICATIONS: **CE**; C-Tick CISPR 22; IP69K
 Note: Unique components, accessories, and hardware kits are not typically included in the Product Certification Test Protocols. Unless otherwise Specified, the Product Certifications referred to herein are predicated upon the base product model configuration.
- IMAGE TYPE: 1/3" COLOR SONY CCD
- LENS: 2.8mm
- LENS ANGLE: 120° DIAGONAL
- RESOLUTION: PAL – 500(H) x 580(V)
 NTSC – 510(H) x 492(V)
- 11 IR LEDs FOR NIGHT VISION (8-10M VISIBILITY)
- VOLTAGE (NOMINAL): 12 VDC
- POWER (NOMINAL) 3W
- OPERATING TEMPERATURE RANGE: -22°F (-30°C) TO 158°F (70°C)
- CONNECTION: 2-CONDUCTOR CABLE
- RECOMMENDED MOUNTING: FLANGE MOUNT
- HOUSING MATERIAL: ALUMINUM
- PRODUCT WEIGHT: 0.74 LBS
- AUDIO
- VIBRATION RESISTANCE: 10G

DISCLAIMER

Dimensions, Illustrations, Specifications, and Certifications contained in this document are typical of the actual product and are subject to change. ECCO Engineering does not maintain formal design control of this product.

- NOTES:
 1. ROHS COMPLIANT
 2. DIMENSION IN INCHES [MILLIMETERS (FOR REFERENCE)]

SCALE 1:1.5		APPROVALS	DATE
CAD GENERATED DRAWING DO NOT MANUALLY UPDATE. MODEL REFERENCED: A		DRAWN BY MDH	2014-02-21
		CHECKED BND	2014-02-24
		MECH. ENG. NMT	2014-02-26
TOLERANCES ARE IN INCHES, AND MILLIMETERS TOLERANCES ARE:		ELEC. ENG.	
MILLIMETERS DECIMALS XX. ± 1.0mm XX.X ± 0.5mm	INCHES DECIMALS X.X ± 0.1 X.XX ± 0.04 X.XXX ± 0.02	ANGLES ± 0.5°	
		FRACTIONS ± 1/64	
		TEST ENG. JRT	2014-02-21
		SALES. LAT	2014-02-28
			
		CAMERA, CCD, COLOR, IR(11), AUDIO, 4PIN	
		CUSTOMER PART NO. EC2014-C	PRODUCT SERIES:
NON DISCLOSURE AGREEMENT		SIZE: A	DWG. NO. EC2014-C
<small>THIS DRAWING AND THE DESIGN IT DISCLOSES ARE THE PRIVATE PROPERTY OF ECCO AND IS ISSUED IN CONFIDENCE FOR ENGINEERING INFORMATION ONLY. THE DRAWING AND / OR DESIGN MAY NOT BE USED, COPIED, REPRODUCED, OR OTHERWISE DISCLOSED IN PART OR AS A WHOLE TO OUTSIDERS OR USED FOR ANY OTHER PURPOSE WITHOUT THE PRIOR WRITTEN CONSENT OF ECCO. THE DRAWING IS SUBJECT TO RECALL AT ANY TIME. YOUR POSSESSION OF THIS DOCUMENT CONSTITUTES ACCEPTANCE OF THESE TERMS. © 2014 ECCO</small>		REV. A	
		Electronically Controlled Use Latest Copy	SHEET 1 OF 1 Project: LM13222 Date Created: 2014-01-13