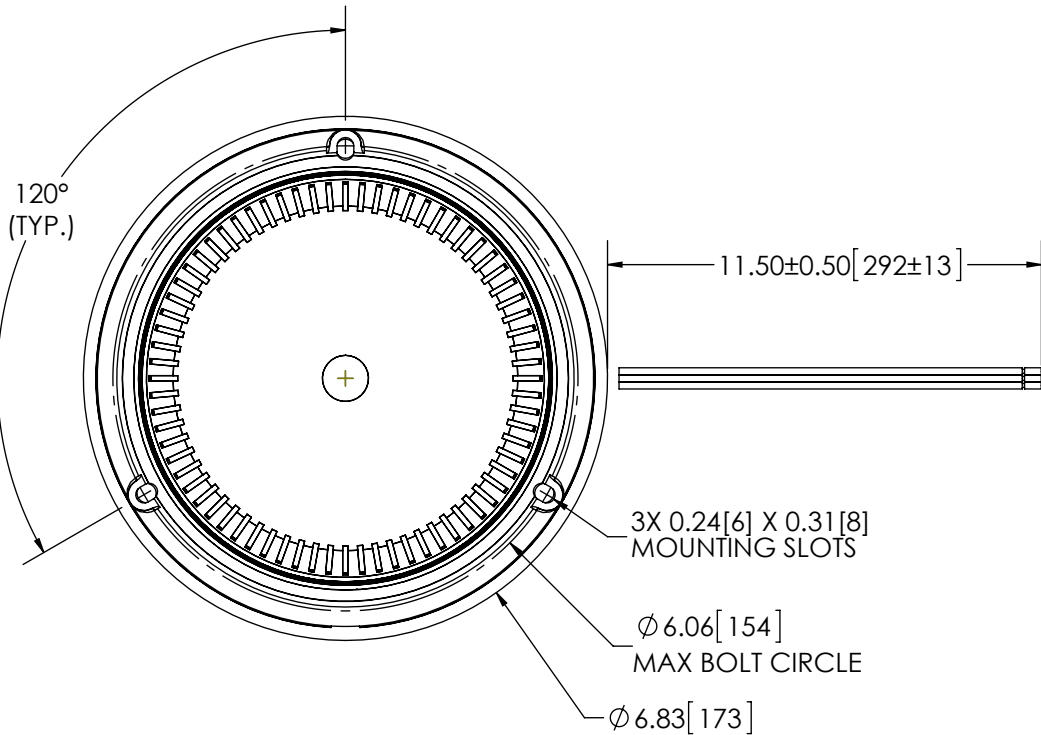


REVISION HISTORY		
REV.	DESCRIPTION	DATE
A	INITIAL RELEASE PER P13005	2014-06-25
B	REVISE PER P13005	2014-07-14
C	REVISE PER P13005	2015-08-12

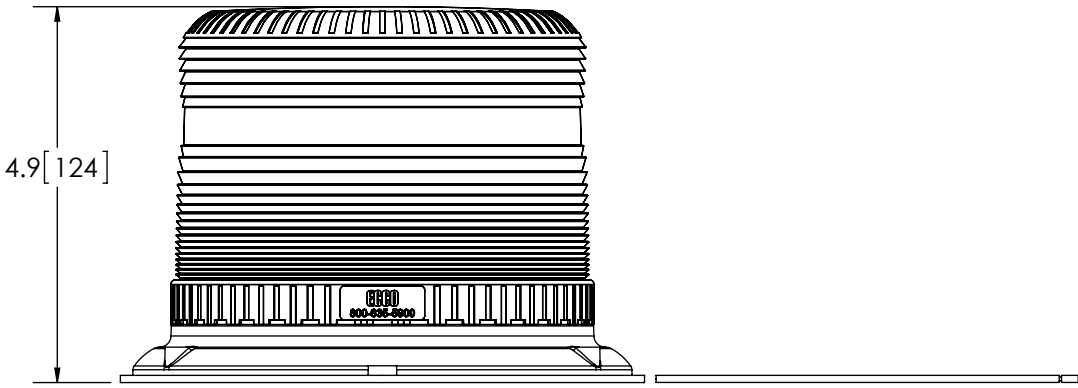
COLOR CHART	
FGS P/N	COLOR
EB7930A	AMBER
EB7930B	BLUE
EB7930C	CLEAR
EB7930G	GREEN
EB7930R	RED



3-18 AWG WIRES:  
 RED- POSITIVE (+)  
 BLACK- NEGATIVE (-)  
 YELLOW- PATTERN SELECT

**SPECIFICATIONS**

- CERTIFICATIONS: SAE PENDING;  
 Note: Unique components, accessories, and hardware kits are not typically included in the Product Certification Test Protocols. Unless otherwise Specified, the Product Certifications referred to herein are predicated upon the base product model configuration.
- FLASH MODE: SINGLE : 70 ± 5 FLASHES PER MINUTE
- VOLTAGE (NOMINAL): 12 to 48 VDC
- VOLTAGE (EXTREME): 9.0 to 56.0 VDC
- CURRENT (PEAK): 2.5A (@ 12 VDC NOMINAL)
- POWER (MAXIMUM): 32.3W (@ 12 VDC NOMINAL)
- TEMPERATURE RANGE: -22°F (-30°C) TO 122°F (50°C)
- CONNECTION: 3-18 AWG WIRES
- MOUNTING: FLANGE; PIPE MOUNT
- BASE MATERIAL: GLASS FILLED NYLON
- LENS MATERIAL: POLYCARBONATE
- PRODUCT WEIGHT: 1.9 LBS (0.86 Kg)



NOTES:  
 1. DIMENSIONS IN INCHES [MILLIMETERS (FOR REFERENCE)]

SCALE 1:2.5		APPROVALS	DATE	
CAD GENERATED DRAWING DO NOT MANUALLY UPDATE. MODEL REFERENCED: B		DRAWN BY ABB	2015-08-10	
TOLERANCES ARE IN INCHES, AND MILLIMETERS TOLERANCES UNLESS OTHERWISE STATED ARE:		CHECKED MDH	2015-08-11	
MILLIMETERS DECIMALS XX. ± 1.0mm XX.X ± 0.5mm		MECH. ENG. JLA	2015-08-10	
INCHES DECIMALS X.X ± 0.1 X.XX ± 0.04 X.XXX ± 0.02		ELEC. ENG.		<b>LED BEACON, CLASS II, 12-48VDC, HD 4"</b>
ANGLES ± 0.5° FRACTIONS ± 1/64		TEST ENG.		
THIRD ANGLE PROJECTION		SALES		PRODUCT SERIES: <b>7900</b>
		SIZE: A DWG. NO. <b>EB7930X</b> REV. <b>C</b>		
Electronically Controlled Use Latest Copy		SHEET 1 OF 1	Project: P13005	Date Created: 2013-08-27

THIS DRAWING AND THE DESIGN IT DISCLOSES ARE THE PRIVATE PROPERTY OF ESG AND IS ISSUED IN CONFIDENCE FOR ENGINEERING INFORMATION ONLY. THE DRAWING AND / OR DESIGN MAY NOT BE USED, COPIED, REPRODUCED, OR OTHERWISE DISCLOSED IN PART OR AS A WHOLE TO OUTSIDERS OR USED FOR ANY OTHER PURPOSE WITHOUT THE PRIOR WRITTEN CONSENT OF ESG. THE DRAWING IS SUBJECT TO RECALL AT ANY TIME. YOUR POSSESSION OF THIS DOCUMENT CONSTITUTES ACCEPTANCE OF THESE TERMS. © 2013 ECCO