



# BEACONS



Light output only

## EB7800 SERIES SAE Class I LED

ECCO's EB7800 Series LED Beacon produces a warning signal that is ideal for industrial applications. The long, maintenance-free service life of LED technology, backed by a 1-year warranty, makes this a perfect replacement solution for existing strobe beacons. This cost-effective light features 12V or 24V operating range that also makes it ideal for use on electrically powered vehicles and equipment.

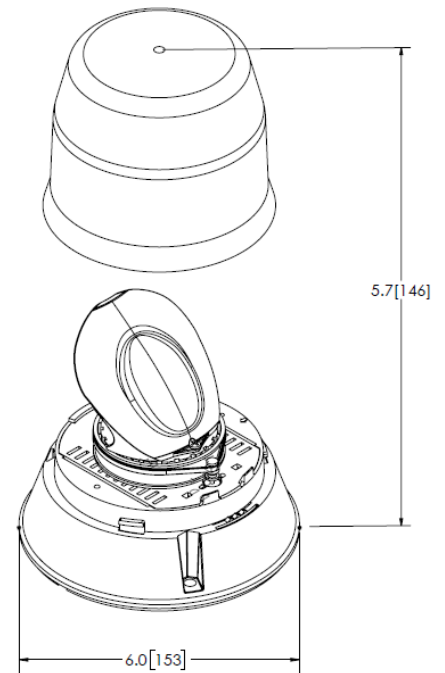
### Models

PART NO.	VOLTAGE	AMPS	FPM	MOUNT
EB7810X	12/24	1.36	185	DIN Pole
EB7813X	12/24	1.36	185	3 Bolt
EB7813X-MG	12/24	1.36	185	Magnet
EB7816X	12/24	1.36	185	1 Bolt

Replace X in part number with desired color: A=amber, B=blue, R=red

### Features and Benefits

- Economical-style beacon available in several mounting styles
- DIN models designed to fit DIN #72591
- Reinforced-nylon base and polycarbonate lens
- Flexi-Base model rubber base resists vibration & protects against minor impacts
- Twist-on lens secures with a locking screw
- Temperature Range: -40°F to +158°F (-40°C to +70°C)



### Parts & Accessories

- Lenses: Amber - R5810LA  
Blue - R5810LB  
Red - R5810LR