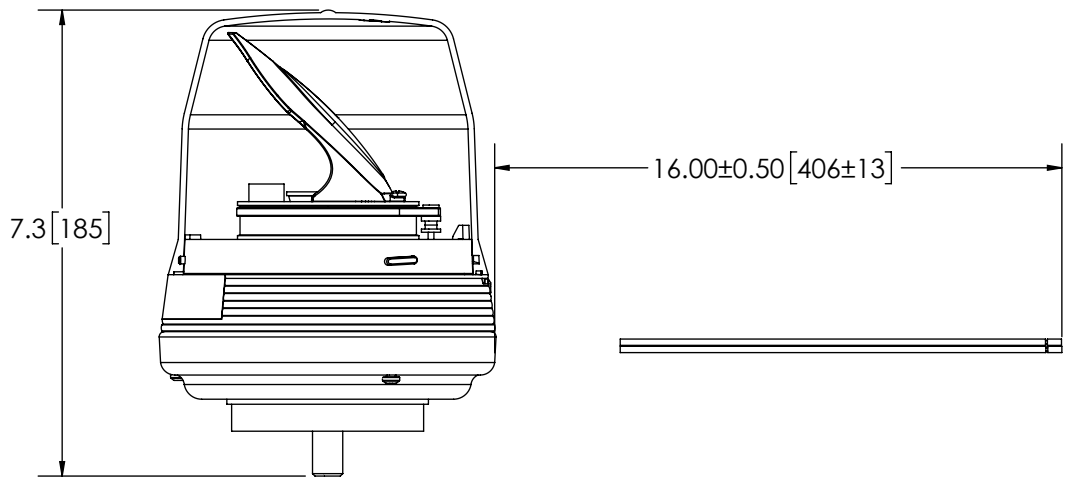
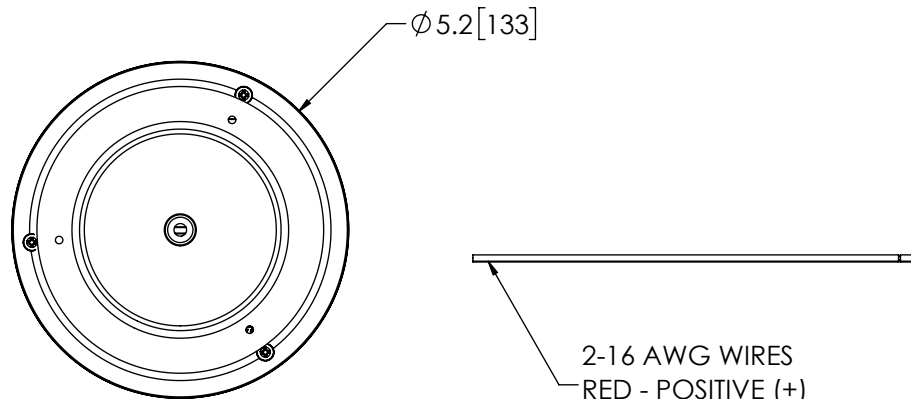


REVISION HISTORY		
REV.	DESCRIPTION	DATE
03	REVISED PER EP0018	2018-09-12
04	REVISED PER EP0018	2018-09-14
A	INITIAL RELEASE PER EP0018	2018-09-17



FRONT VIEW



BOTTOM VIEW

SPECIFICATIONS

- CERTIFICATIONS: **CE**; ECE R10; J845 (JUN 2013) CLASS 1; LIGHT OUTPUT ONLY ;
 Note: Unique components, accessories, and hardware kits are not typically included in the Product Certification Test Protocols. Unless otherwise Specified, the Product Certifications referred to herein are predicated upon the base product model configuration.
- FLASH MODE: ROTATE : 185 ± 5 FLASHES PER MINUTE
- VOLTAGE (NOMINAL): 12-24 VDC
- VOLTAGE (EXTREME): 9-32 VDC
- CURRENT (PEAK): 1.36A (@ 12 VDC NOMINAL)
- POWER (MAXIMUM): 17.4W (@ 12 VDC NOMINAL)
- TEMPERATURE RANGE: -40°F (-40°C) TO 149°F (65°C)
- CONNECTION: 2-16 AWG WIRES
- MOUNTING: FLEXI, ONE BOLT
- BASE MATERIAL: POLYCARBONATE
- LENS MATERIAL: POLYCARBONATE
- PRODUCT WEIGHT: 1.9 LBS (0.86 Kg)

COLOR CHART	
FGS P/N	COLOR
EB7816A	AMBER

NOTES:
 1. DIMENSIONS IN INCHES[MILLIMETERS (FOR REFERENCE)]

SCALE 1:3		APPROVALS	DATE
CAD GENERATED DRAWING DO NOT MANUALLY UPDATE. MODEL REFERENCED: 01		DRAWN BY ABB	2018-09-14
TOLERANCES ARE IN INCHES, AND MILLIMETERS TOLERANCES UNLESS OTHERWISE STATED ARE:		CHECKED MDH	2018-09-14
MILLIMETERS DECIMALS XX. ± 1.0mm XX.X ± 0.5mm	INCHES DECIMALS X.X ± 0.1 X.XX ± 0.04 X.XXX ± 0.02	MECH. ENG. JLA	2018-09-14
	ANGLES ± 0.5° FRACTIONS ± 1/64	ELEC. ENG. JES	2018-09-14
		TEST ENG. JRT	2018-09-17
		SALES. ARS	2018-09-14
THIRD ANGLE PROJECTION			

		LED BEACON,ROTO,12-24VDC,1BOLT/FLEXI	
CUSTOMER PART NO. SEE CHART		PRODUCT SERIES: 7800	
SIZE: A	DWG. NO. EB7816X	REV. A	
Electronically Controlled Use Latest Copy		SHEET 1 OF 1	Project: EP0018 Date Created: 2018-06-01

PROPRIETARY AND CONFIDENTIAL INFORMATION
 THIS DRAWING AND THE DESIGN AND OTHER INFORMATION DISCLOSED HEREIN ARE THE PROPERTY OF ELECTRONIC CONTROLS COMPANY AND/OR ITS ECCO SAFETY GROUP AFFILIATES ("ECCO") AND IS ISSUED IN CONFIDENCE TO RECIPIENT FOR ENGINEERING INFORMATION PURPOSES ONLY. THIS DRAWING AND THE DESIGN AND OTHER INFORMATION DISCLOSED HEREIN MAY NOT BE USED, COPIED, REPRODUCED OR OTHERWISE DISCLOSED IN PART OR IN WHOLE TO THIRD PARTIES OR USED FOR ANY OTHER PURPOSE WITHOUT PRIOR ECCO WRITTEN CONSENT. ECCO RESERVES ALL PATENT, COPYRIGHT, TRADEMARK AND OTHER PROPRIETARY RIGHTS TO THIS DOCUMENT, INCLUDING ALL DESIGN, MANUFACTURING, REPRODUCTION, USE AND SALES RIGHTS THERETO. THIS DRAWING IS SUBJECT TO RECALL BY ECCO AT ANY TIME, AND YOUR POSSESSION AND/OR USE CONSTITUTES ACCEPTANCE OF THESE TERMS. ©2018 ELECTRONIC CONTROLS COMPANY