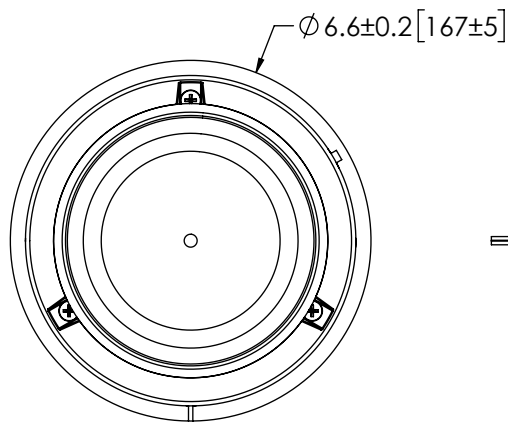
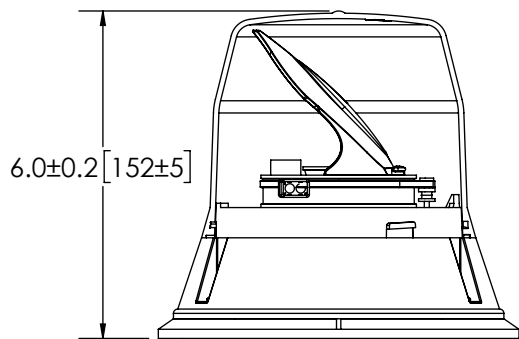


REVISION HISTORY		
REV.	DESCRIPTION	DATE
04	REVISED PER EP0018	2018-09-12
05	REVISED PER EP0018	2018-09-14
A	INITIAL RELEASE PER EP0018	2018-09-17



SPECIFICATIONS

- CERTIFICATIONS: **CE**; ECE R10; J845 (JUN 2013) CLASS 1; LIGHT OUTPUT ONLY
 Note: Unique components, accessories, and hardware kits are not typically included in the Product Certification Test Protocols. Unless otherwise Specified, the Product Certifications referred to herein are predicated upon the base product model configuration.
- FLASH MODE: SINGLE : 185 ± 5 FLASHES PER MINUTE
- VOLTAGE (NOMINAL): 12-24 VDC
- VOLTAGE (EXTREME): 9-32 VDC
- CURRENT (PEAK): 1.36A (@ 12 VDC NOMINAL)
- POWER (MAXIMUM): 17.4W (@ 12 VDC NOMINAL)
- TEMPERATURE RANGE: -40°F (-40°C) TO 158°F (70°C)
- CONNECTION: 15' CORD W/SINGLE SWITCH LIGHTER ADAPTER
- MOUNTING: MAGNET MOUNT
- BASE MATERIAL: POLYCARBONATE
- LENS MATERIAL: POLYCARBONATE
- PRODUCT WEIGHT: 2.5 LBS (1.13 Kg)



COLOR CHART	
FG P/N	COLOR
EB7813A-MG	AMBER

NOTES:
 1. DIMENSIONS IN INCHES [MILLIMETERS (FOR REFERENCE)]

PROPRIETARY AND CONFIDENTIAL INFORMATION

THIS DRAWING AND THE DESIGN AND OTHER INFORMATION DISCLOSED HEREIN ARE THE PROPERTY OF ECCO SAFETY GROUP AND/OR ITS AFFILIATES ("ECCO") AND IS ISSUED IN CONFIDENCE TO RECIPIENT FOR ENGINEERING INFORMATION PURPOSES ONLY. THIS DRAWING AND THE DESIGN AND OTHER INFORMATION DISCLOSED HEREIN MAY NOT BE USED, COPIED, REPRODUCED OR OTHERWISE DISCLOSED IN PART OR IN WHOLE TO THIRD PARTIES OR USED FOR ANY OTHER PURPOSE WITHOUT PRIOR ECCO WRITTEN CONSENT. ECCO RESERVES ALL PATENT, COPYRIGHT, TRADEMARK AND OTHER PROPRIETARY RIGHTS TO THIS DOCUMENT, INCLUDING ALL DESIGN, MANUFACTURING, REPRODUCTION, USE AND SALES RIGHTS THERETO. THIS DRAWING IS SUBJECT TO RECALL BY ECCO AT ANY TIME, AND YOUR POSSESSION AND/OR USE CONSTITUTES ACCEPTANCE OF THESE TERMS. ©2018 ELECTRONIC CONTROLS COMPANY

SCALE 1:3.5		APPROVALS	DATE	
CAD GENERATED DRAWING DO NOT MANUALLY UPDATE. MODEL REFERENCED: 01		DRAWN BY	ABB	2018-09-14
		CHECKED	MDH	2018-09-14
TOLERANCES ARE IN INCHES, AND MILLIMETERS TOLERANCES UNLESS OTHERWISE STATED ARE:		MECH. ENG.	JLA	2018-09-14
		ELEC. ENG.	JES	2018-09-14
MILLIMETERS DECIMALS XX. ± 1.0mm XX.X ± 0.5mm		TEST ENG.	JRT	2018-09-17
INCHES DECIMALS X.X ± 0.1 X.XX ± 0.04 X.XXX ± 0.02		SALES	ARS	2018-09-14
ANGLES ± 0.5° FRACTIONS ± 1/64				
THIRD ANGLE PROJECTION				

		LED BEACON, ROTATOR, 12-24VDC, MG	
		CUSTOMER PART NO. SEE CHART	PRODUCT SERIES: 7800
SIZE: A	DWG. NO.	EB7813X-MG	
Electronically Controlled Use Latest Copy		SHEET 1 OF 1	Project: EP0018
		Date Created: 2018-05-30	REV. A