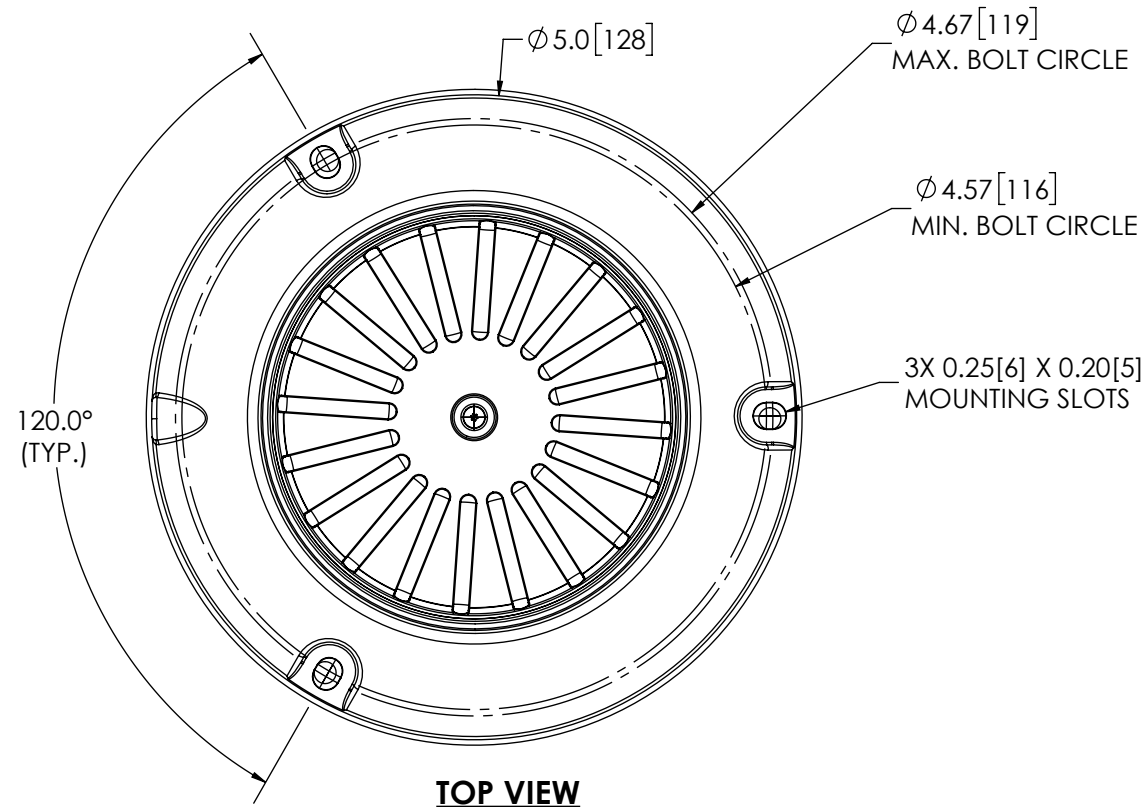
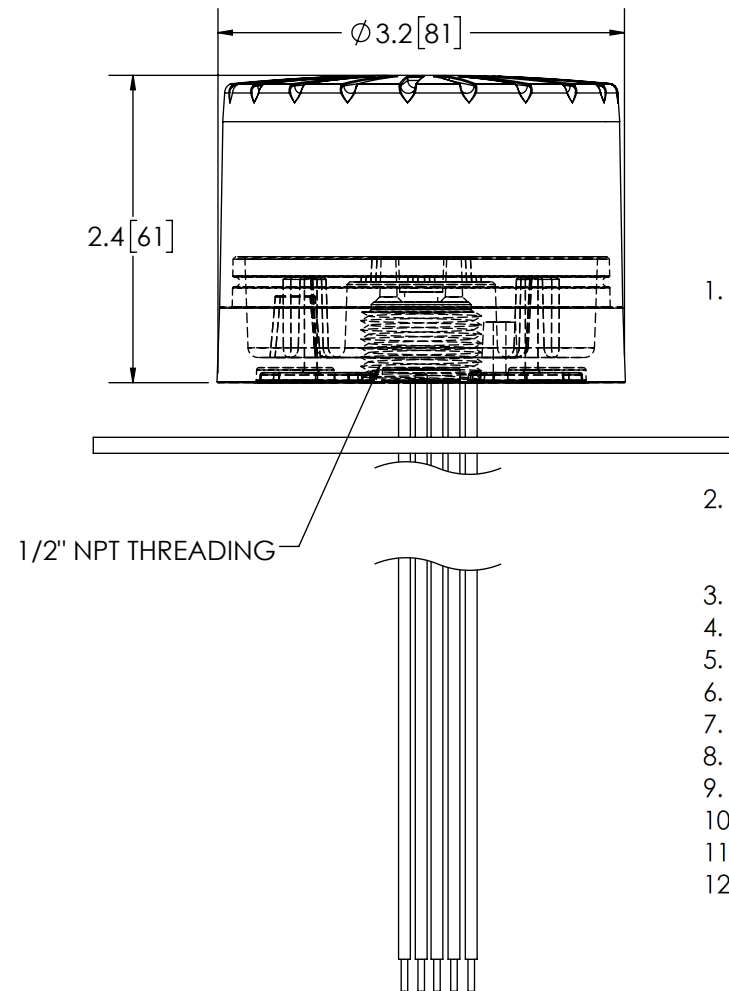


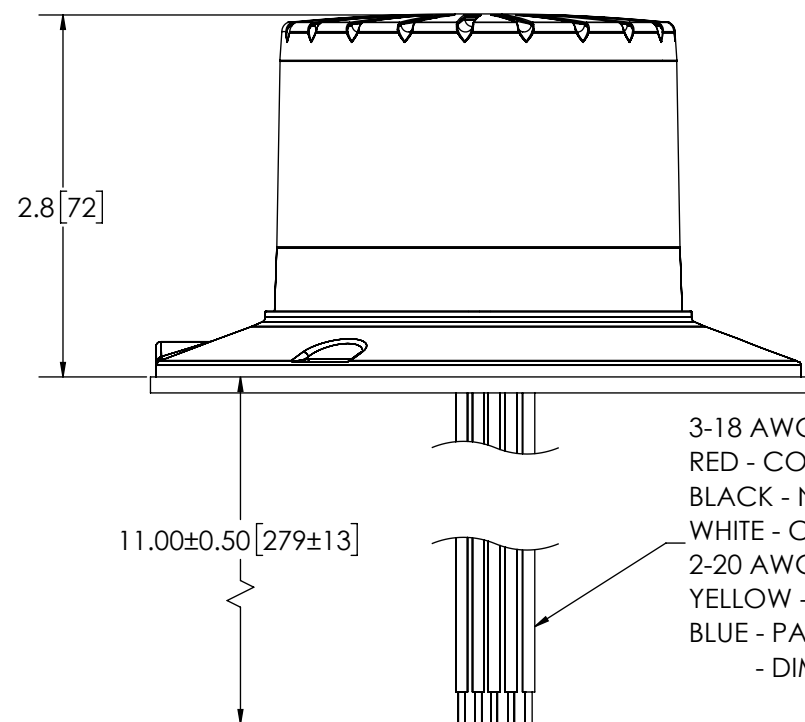
REVISION HISTORY		
REV.	DESCRIPTION	DATE
B	REVISE PER EL0006	2018-08-17
C	REVISED PER EL0006	2018-10-02
D	REVISED PER EC5472	2019-11-26



TOP VIEW



**FRONT VIEW -
NO BASE FOR PIP MOUNT**



**FRONT VIEW -
WITH BASE**

3-18 AWG WIRES
 RED - COLOR 1(+)
 BLACK - NEGATIVE(-)
 WHITE - COLOR 2(+)
 2-20 AWG WIRES
 YELLOW - SYNC
 BLUE - PATTERN SELECT(-)
 - DIM(+)

SPECIFICATIONS

- CERTIFICATIONS: **CE**; ECE R10; SAE (SEE CHART); CA Title 13 (SEE CHART); IP6K7D/IP67D
 Note: Unique components, accessories, and hardware kits are not typically Included in the Product Certification Test Protocols. Unless otherwise Specified, the Product Certifications referred to herein are predicated upon the base product model configuration.
- FLASH MODE: SINGLE : 75 ± 5 FLASHES PER MINUTE
 SINGLE : 120 ± 5 FLASHES PER MINUTE
 DOUBLE : 75 ± 5 FLASHES PER MINUTE
- VOLTAGE (NOMINAL): 12-24 VDC
- VOLTAGE (EXTREME): 9.0-32 VDC
- CURRENT (PEAK): SEE CHART (@ 12 VDC NOMINAL)
- POWER (MAXIMUM): SEE CHART (@ 12 VDC NOMINAL)
- TEMPERATURE RANGE: -22°F (-30°C) TO 122°F (50°C)
- CONNECTION: 3 - 18 AWG, 2 - 20 AWG WIRES
- MOUNTING: FLANGE; PIPE MOUNT
- BASE MATERIAL: POLYCARBONATE FLANGE
- LENS MATERIAL: POLYCARBONATE
- PRODUCT WEIGHT: 0.9 LBS (0.41 Kg)

FGS PRODUCT CHART					
FGS NO.	COLOR	CURRENT (PEAK) A	POWER (MAXIMUM) W	J845 (JUN 2013)	CA TITLE 13
EB7265CAB	AMBER/BLUE	1.36	17.4	CLASS 1: AMBER, BLUE	CLASS E: AMBER, BLUE
EB7265CAC	AMBER/WHITE	1.36	17.4	CLASS 1: AMBER, WHITE	CLASS E: AMBER
EB7265CAG	AMBER/GREEN	1.4	17.9	CLASS 1: AMBER	CLASS E: AMBER
EB7265CAR	AMBER/RED	1.64	21.0	CLASS 1: AMBER, RED	CLASS E: AMBER, RED

NOTES:
 1. ROHS COMPLIANT
 2. DIMENSIONS IN INCHES[MILLIMETERS (FOR REFERENCE)]

NON DISCLOSURE AGREEMENT
 THIS DRAWING AND THE DESIGN IT DISCLOSES ARE THE PRIVATE PROPERTY OF ELECTRONIC CONTROLS CO. AND IS ISSUED IN CONFIDENCE FOR ENGINEERING INFORMATION ONLY. THE DRAWING AND / OR DESIGN MAY NOT BE USED, COPIED, REPRODUCED, OR OTHERWISE DISCLOSED IN PART OR AS A WHOLE TO OUTSIDERS OR USED FOR ANY OTHER PURPOSE WITHOUT THE PRIOR WRITTEN CONSENT OF ELECTRONIC CONTROLS CO. THE DRAWING IS SUBJECT TO RECALL AT ANY TIME. YOUR POSSESSION OF THIS DOCUMENT CONSTITUTES ACCEPTANCE OF THESE TERMS. © 2018 ELECTRONIC CONTROLS CO.

SCALE 1:1.5		APPROVALS	DATE
CAD GENERATED DRAWING DO NOT MANUALLY UPDATE. MODEL REFERENCED: A		DRAWN BY ABD	2019-04-11
TOLERANCES ARE IN INCHES, AND MILLIMETERS TOLERANCES UNLESS OTHERWISE STATED ARE:		CHECKED ABB	2019-04-12
MILLIMETERS DECIMALS XX. ± 1.0mm XX.X ± 0.5mm	INCHES DECIMALS X.X ± 0.1 X.XX ± 0.04 X.XXX ± 0.02	MECH. ENG. JLA	2019-04-11
THIRD ANGLE PROJECTION		ELEC. ENG. JES	2019-04-17
		TEST ENG. JRT	2019-04-19
		SALES. ARS	2019-04-12
Electronically Controlled Use Latest Copy			



BEACON,LED,360*,CLASS I

CUSTOMER PART NO. SEE CHART
 PRODUCT SERIES: 7200

SIZE: B DWG. NO. EB7265XXX
 Project: EL0006 Date Created: 2018-02-19

REV. D