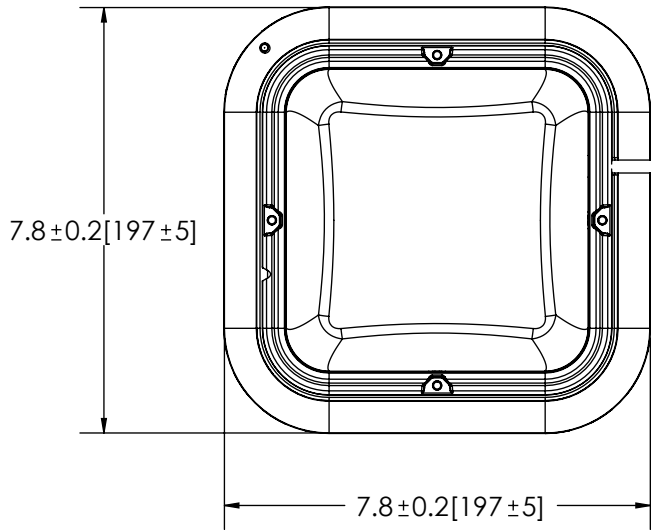
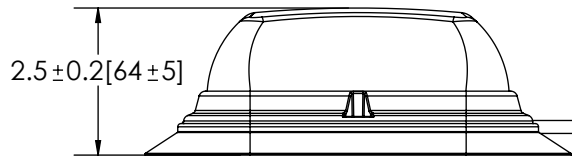


REVISION HISTORY		
REV.	DESCRIPTION	DATE
06	REVISED PER EL0005	2016-02-04
A	INITIAL RELEASE PER EL0005	2016-02-08
B	REVISED PER	2019-02-13



SPECIFICATIONS

- CERTIFICATIONS: ECE R10; AMECA/SAE J845 (JUN 2013) CLASS 1; YELLOW; CA Title 13 CLASS E; IP55
 Note: Unique components, accessories, and hardware kits are not typically included in the Product Certification Test Protocols. Unless otherwise Specified, the Product Certifications referred to herein are predicated upon the base product model configuration.
- FLASH MODE: SINGLE : 120 ± 5 FLASHES PER MINUTE
 DOUBLE : 120 ± 5 FLASHES PER MINUTE
 QUAD : 120 ± 5 FLASHES PER MINUTE
- VOLTAGE (NOMINAL): 12 to 24 VDC
- VOLTAGE (EXTREME): 10 to 30 VDC
- CURRENT (PEAK): 6.16A (@ 12 VDC NOMINAL)
- POWER (MAXIMUM): 78.8W (@ 12 VDC NOMINAL)
- TEMPERATURE RANGE: -22°F (-30°C) TO 122°F (50°C)
- CONNECTION: 20 AWG CABLE W/ LIGHTER ADAPTER
- MOUNTING: VACUUM/MAGNET MOUNT
- BASE MATERIAL: ALUMINUM
- LENS MATERIAL: POLYCARBONATE
- PRODUCT WEIGHT: 2.7 LBS (1.22 Kg)



FGS PRODUCT CHART			
FGS P/N	COLOR	SAE J845	CA T13
EB7180A-VM	AMBER	CLASS 1	CLASS E
EB7180CA-VM	CLEAR/AMBER	CLASS 1	CLASS E
EB7180CC-VM	CLEAR/CLEAR	CLASS 1	-

DISCLAIMER
 DIMENSIONS, ILLUSTRATIONS, SPECIFICATIONS, AND CERTIFICATIONS CONTAINED IN THIS DOCUMENT ARE TYPICAL OF THE ACTUAL PRODUCT AND ARE SUBJECT TO CHANGE. ECCO ENGINEERING DOES NOT MAINTAIN FORMAL DESIGN CONTROL OF THIS PRODUCT.

- NOTES:**
- ROHS COMPLIANT
 - DIMENSIONS IN INCHES[MILLIMETERS (FOR REFERENCE)]

SCALE 1:3.5		APPROVALS	DATE
CAD GENERATED DRAWING DO NOT MANUALLY UPDATE. MODEL REFERENCED: A		DRAWN BY	2017-04-28
		CHECKED MDH	2017-05-01
TOLERANCES ARE IN INCHES, AND MILLIMETERS TOLERANCES UNLESS OTHERWISE STATED ARE:		MECH. ENG.	
		ELEC. ENG. JES	2017-05-02
MILLIMETERS DECIMALS XX. ± 1.0mm XX.X ± 0.5mm		TEST ENG. JRT	2017-05-04
		SALES. ARS	2017-05-04
THIRD ANGLE PROJECTION			

LED BEACON, SQ, SNGL STACK, 12-24V, VM

CUSTOMER PART NO. SEE CHART		PRODUCT SERIES: EB7180
SIZE: A	DWG. NO. EB7180XX-VM	REV. B
Electronically Controlled Use Latest Copy		Project: EL0005 Date Created: 2015-11-19

THIS DRAWING AND THE DESIGN IT DISCLOSES ARE THE PRIVATE PROPERTY OF ELECTRONIC CONTROLS CO. AND IS ISSUED IN CONFIDENCE FOR ENGINEERING INFORMATION ONLY. THE DRAWING AND / OR DESIGN MAY NOT BE USED, COPIED, REPRODUCED, OR OTHERWISE DISCLOSED IN PART OR AS A WHOLE TO OUTSIDERS OR USED FOR ANY OTHER PURPOSE WITHOUT THE PRIOR WRITTEN CONSENT OF ELECTRONIC CONTROLS CO. THE DRAWING IS SUBJECT TO RECALL AT ANY TIME. YOUR POSSESSION OF THIS DOCUMENT CONSTITUTES ACCEPTANCE OF THESE TERMS. © 2015 ELECTRONIC CONTROLS CO.