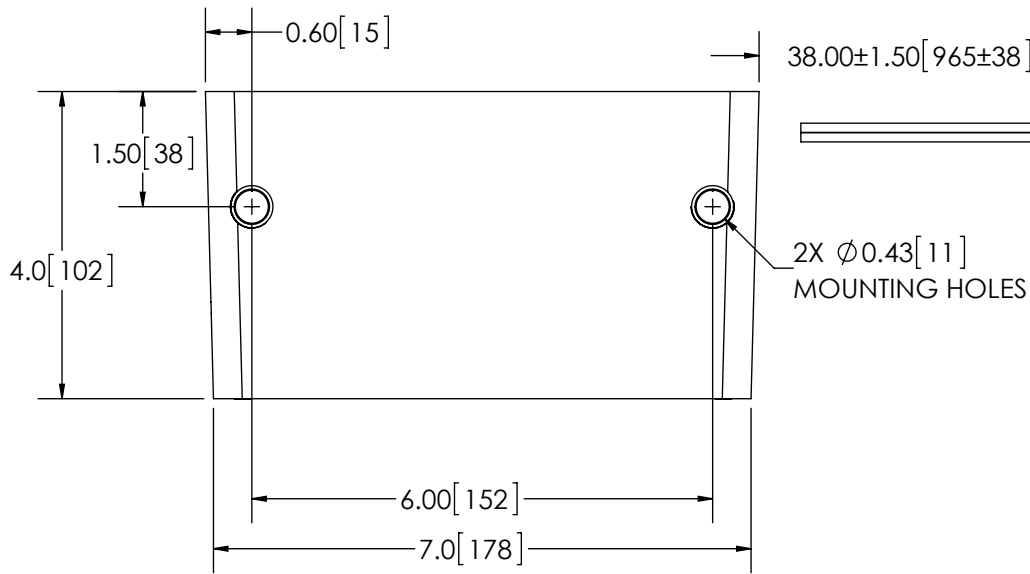
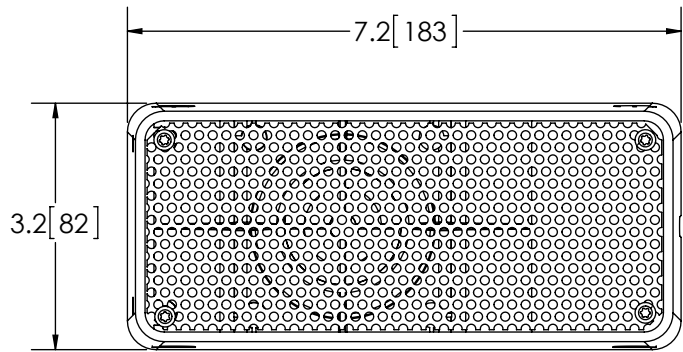


| REVISION HISTORY | | |
|------------------|-------------------|------------|
| REV. | DESCRIPTION | DATE |
| B | REVISE PER P13014 | 2014-02-11 |
| C | REVISE PER P13014 | 2014-07-25 |
| D | REVISE PER P13014 | 2014-08-29 |



SPECIFICATIONS

- CERTIFICATIONS: **CE**; e; ECE R10; AMECA/SAE J994 (MAR 2009), TYPE B; IP66
Note: Unique components, accessories, and hardware kits are not typically included in the Product Certification Test Protocols. Unless otherwise Specified, the Product Certifications referred to herein are predicated upon the base product model configuration.
- SOUND PRESSURE LEVEL: 107 ± 4 dB (A) @ 1.2m (4ft)
- VOLTAGE (NOMINAL): 12 to 24 VDC
- VOLTAGE (EXTREME): 9.0 to 32.0 VDC
- CURRENT (PEAK): 0.8 A (@ 12 VDC NOMINAL)
- POWER (MAXIMUM): 11.3 W (@ 12 VDC NOMINAL)
- TEMPERATURE RANGE: -40°F (-40°C) TO 185°F (85°C)
- FREQUENCY: 700 to 2800 Hz
- CONNECTION: 2-16 AWG WIRES
- RECOMMENDED MOUNTING: 3/8 - 16 UNC, GRADE 5 OR BETTER; 3/8" TYPE A, SERIES N OR W WASHER
- HOUSING MATERIAL: GLASS-FILLED NYLON
- PRODUCT WEIGHT: 3.2 LBS (1.44 Kg)



- NOTES:
- ROHS COMPLIANT
 - DIMENSIONS IN INCHES [MILLIMETERS (FOR REFERENCE)]

| SCALE 1:2.5 | | APPROVALS | DATE | ECCO® |
|--|---|---|------------|------------------------------------|
| CAD GENERATED DRAWING DO NOT MANUALLY UPDATE. MODEL REFERENCED:A | | DRAWN BY SNS | 2014-08-12 | |
| TOLERANCES ARE IN INCHES, AND MILLIMETERS TOLERANCES ARE: | | CHECKED MDH | 2014-08-29 | |
| MILLIMETERS DECIMALS XX. ± 1.0mm XX.X ± 0.5mm | INCHES DECIMALS X.X ± 0.1 X.XX ± 0.04 X.XXX ± 0.02 | MECH. ENG. JLA | 2014-08-12 | CUSTOMER PART NO. EA7070 |
| | | ELEC. ENG. JES | 2014-08-28 | PRODUCT SERIES: 700 |
| | | TEST ENG. JRT | 2014-08-28 | SIZE: A |
| | | SALES. DMV | 2014-08-12 | DWG. NO. EA7070 |
| | | | | REV. D |
| | | Electronically Controlled Use Latest Copy | | SHEET 1 OF 1 |
| | | Project: P11043 | | Date Created: 2012-02-29 |

THIS DRAWING AND THE DESIGN IT DISCLOSES ARE THE PRIVATE PROPERTY OF ECCO AND IS ISSUED IN CONFIDENCE FOR ENGINEERING INFORMATION ONLY. THE DRAWING AND / OR DESIGN MAY NOT BE USED, COPIED, REPRODUCED, OR OTHERWISE DISCLOSED IN PART OR AS A WHOLE TO OUTSIDERS OR USED FOR ANY OTHER PURPOSE WITHOUT THE PRIOR WRITTEN CONSENT OF ECCO. THE DRAWING IS SUBJECT TO RECALL AT ANY TIME. YOUR POSSESSION OF THIS DOCUMENT CONSTITUTES ACCEPTANCE OF THESE TERMS. © 2012 ECCO