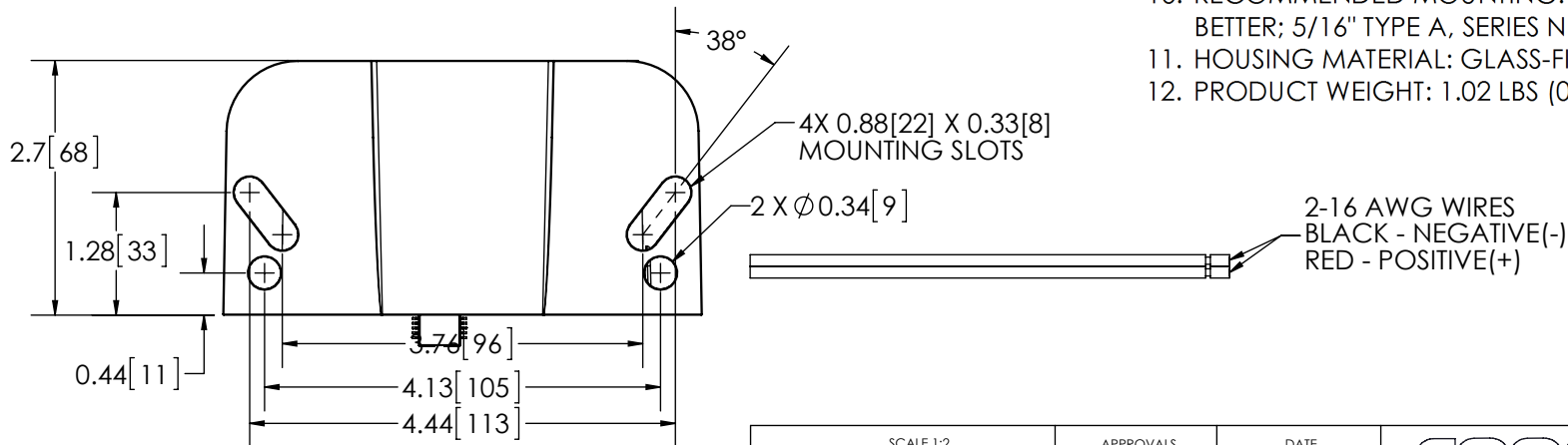
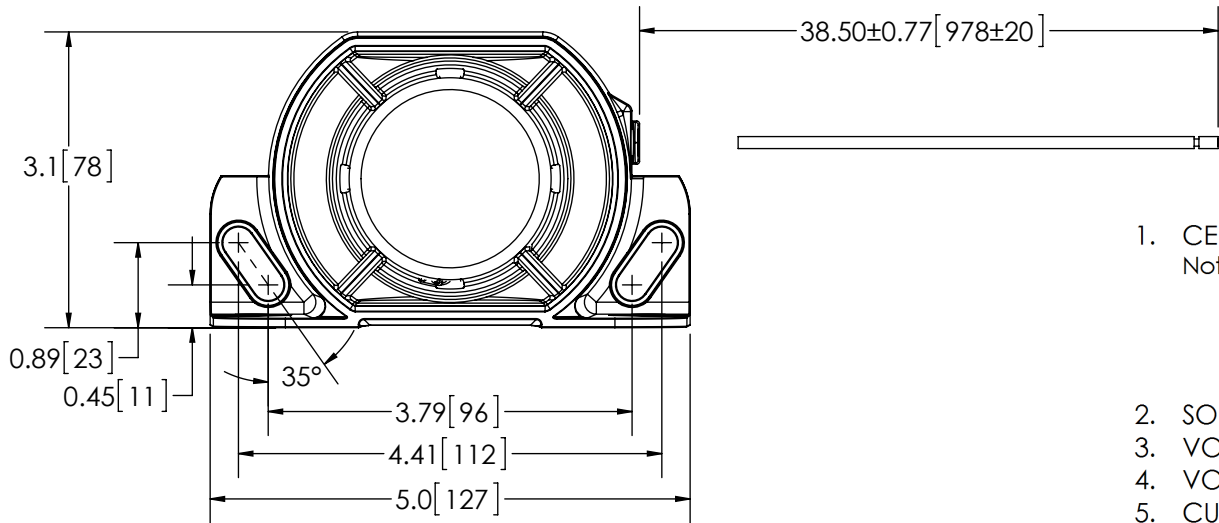


REVISION HISTORY		
REV.	DESCRIPTION	DATE
05	REVISED PER P13014	2014-01-08
A	INITIAL RELEASE PER P13014	2014-03-26
B	REVISE PER P13014	2014-10-17



### SPECIFICATIONS

- CERTIFICATIONS: SAE J994(MAR 2009) TYPE C;  
Note: Unique components, accessories, and hardware kits are not typically included in the Product Certification Test Protocols. Unless otherwise Specified, the Product Certifications referred to herein are predicated upon the base product model configuration.
- SOUND PRESSURE LEVEL:  $97 \pm 4$  dB (A) @ 1.2m (4ft)
- VOLTAGE (NOMINAL): 12 to 24 VDC
- VOLTAGE (EXTREME): 9.0 to 32.0 VDC
- CURRENT (PEAK): 0.7 A (@ 12 VDC NOMINAL)
- POWER (MAXIMUM): 9.8 W (@ 12 VDC NOMINAL)
- TEMPERATURE RANGE: -40°F (-40°C) TO 185°F (85°C)
- PREDOMINANT FREQUENCY: 700 to 2800 Hz
- CONNECTION: 2-16 AWG WIRES
- RECOMMENDED MOUNTING: 5/16-18 UNC, GRADE 5 OR BETTER; 5/16" TYPE A, SERIES N OR W WASHER
- HOUSING MATERIAL: GLASS-FILLED NYLON
- PRODUCT WEIGHT: 1.02 LBS (0.46 Kg)

- NOTES:  
 1. ROHS COMPLIANT  
 2. DIMENSIONS IN INCHES[MILLIMETERS (FOR REFERENCE)]

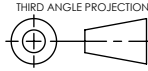
SCALE 1:2		APPROVALS	DATE
CAD GENERATED DRAWING DO NOT MANUALLY UPDATE. MODEL REFERENCED:A		DRAWN BY SNS	2014-10-07
		CHECKED MDH	2014-10-10
TOLERANCES ARE IN INCHES, AND MILLIMETERS TOLERANCES ARE:		MECH. ENG. JLA	2014-10-07
		ELEC. ENG. JES	2014-10-10
MILLIMETERS DECIMALS XX. ± 1.0mm XX.X ± 0.5mm	INCHES DECIMALS X.X ± 0.1 X.XX ± 0.04 X.XXX ± 0.02	ANGLES ± 0.5° FRACTIONS ± 1/64	TEST ENG. JRT 2014-10-14
		SALES. DMV	2014-10-09



**ALARM, BACK-UP, MFA, 97dBA, 12-24VDC**

CUSTOMER PART NO. <b>EA6100</b>	PRODUCT SERIES: <b>600</b>
------------------------------------	-------------------------------

NON DISCLOSURE AGREEMENT  
 THIS DRAWING AND THE DESIGN IT DISCLOSES ARE THE PRIVATE PROPERTY OF ECCO AND IS ISSUED IN CONFIDENCE FOR ENGINEERING INFORMATION ONLY. THE DRAWING AND / OR DESIGN MAY NOT BE USED, COPIED, REPRODUCED, OR OTHERWISE DISCLOSED IN PART OR AS A WHOLE TO OUTSIDERS OR USED FOR ANY OTHER PURPOSE WITHOUT THE PRIOR WRITTEN CONSENT OF ECCO. THE DRAWING IS SUBJECT TO RECALL AT ANY TIME. YOUR POSSESSION OF THIS DOCUMENT CONSTITUTES ACCEPTANCE OF THESE TERMS. © 2013 ECCO



SIZE: A	DWG. NO. EA6100	REV. B
Electronically Controlled Use Latest Copy		SHEET 1 OF 1
Project: P13014	Date Created: 2013-11-04	