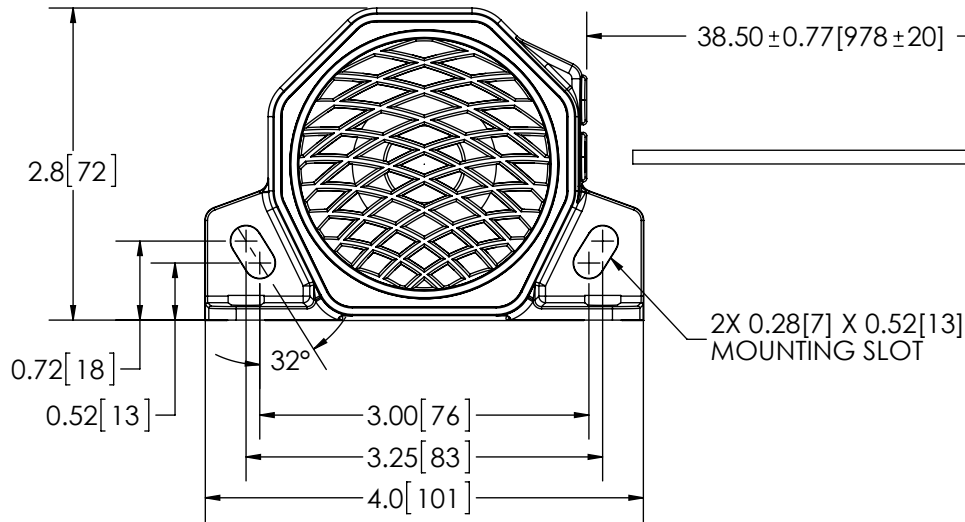


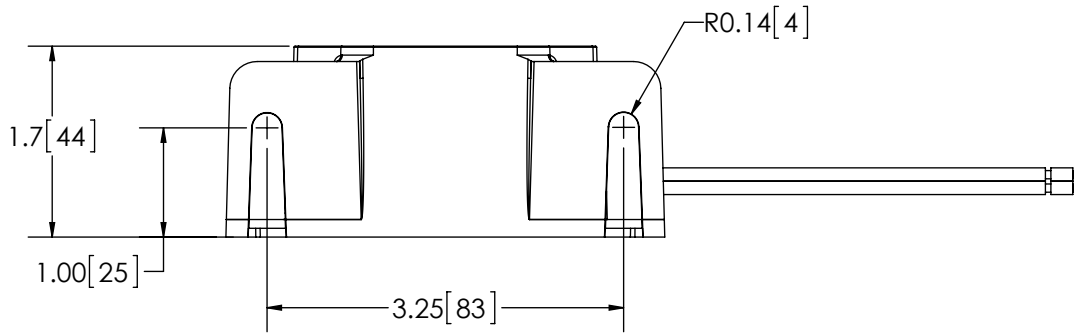
REVISION HISTORY		
REV.	DESCRIPTION	DATE
A	INITIAL RELEASE PER LM12231	2013-03-11
B	REVISE PER LM12231	2013-03-19
C	REVISE PER P12024	2014-07-10



2-16 AWG WIRES
 RED - POSITIVE (+)
 BLACK - NEGATIVE (-)

SPECIFICATIONS

- CERTIFICATIONS: **CE**; ECE R10; SAE J994 (MAR 2009), TYPE F 92 dB(A);
 Note: Unique components, accessories, and hardware kits are not typically included in the Product Certification Test Protocols. Unless otherwise Specified, the Product Certifications referred to herein are predicated upon the base product model configuration.
- SOUND PRESSURE LEVEL: 92 ± 4 dB (A) @ 1.2m (4ft)
- VOLTAGE (NOMINAL): 12 to 24 VDC
- VOLTAGE (EXTREME): 9.0 to 32.0 VDC
- CURRENT (PEAK): 0.5 A (@ 12 VDC NOMINAL)
- POWER (MAXIMUM): 6.4 W (@ 12 VDC NOMINAL)
- TEMPERATURE RANGE: -40°F (-40°C) TO 185°F (85°C)
- PREDOMINANT FREQUENCY: 700 to 2800 Hz
- CONNECTION: 2-16 AWG WIRES
- RECOMMENDED MOUNTING: 1/4 - 20 UNC, GRADE 5 OR BETTER, 1/4" TYPE A, SERIES N OR W WASHER
- HOUSING MATERIAL: GLASS FILLED NYLON
- PRODUCT WEIGHT: 0.9 LBS (0.41 Kg)



NOTES:
 1. DIMENSIONS IN INCHES[MILLIMETERS(FOR REFERENCE)]

SCALE 1:1.75		APPROVALS	DATE	ECCO [®]
CAD GENERATED DRAWING DO NOT MANUALLY UPDATE. MODEL REFERENCED:A		DRAWN BY SNS	2014-07-07	
TOLERANCES ARE IN INCHES, AND MILLIMETERS TOLERANCES ARE:		CHECKED MDH	2014-07-08	ALARM, BACK-UP, MULTI-FREQ, 92dBA, 12-24VDC
MILLIMETERS DECIMALS XX. ± 1.0mm XX.X ± 0.5mm	INCHES DECIMALS X.X ± 0.1 X.XX ± 0.04 X.XXX ± 0.02	MECH. ENG. NMT	2014-07-08	
		ELEC. ENG. GCJ	2014-07-10	
		TEST ENG. JRT	2014-07-08	
		SALES. DMV	2014-07-09	CUSTOMER PART NO. EA5920
				PRODUCT SERIES: 500
NON DISCLOSURE AGREEMENT		SIZE: A	DWG. NO. EA5920	REV. C
THIRD ANGLE PROJECTION		Electronically Controlled Use Latest Copy		SHEET 1 OF 1
THIS DRAWING AND THE DESIGN IT DISCLOSES ARE THE PRIVATE PROPERTY OF ECCO AND IS ISSUED IN CONFIDENCE FOR ENGINEERING INFORMATION ONLY. THE DRAWING AND / OR DESIGN MAY NOT BE USED, COPIED, REPRODUCED, OR OTHERWISE DISCLOSED IN PART OR AS A WHOLE TO OUTSIDERS OR USED FOR ANY OTHER PURPOSE WITHOUT THE PRIOR WRITTEN CONSENT OF ECCO. THE DRAWING IS SUBJECT TO RECALL AT ANY TIME. YOUR POSSESSION OF THIS DOCUMENT CONSTITUTES ACCEPTANCE OF THESE TERMS. © 2012 ECCO		Project: LM12231	Date Created: 2012-11-02	