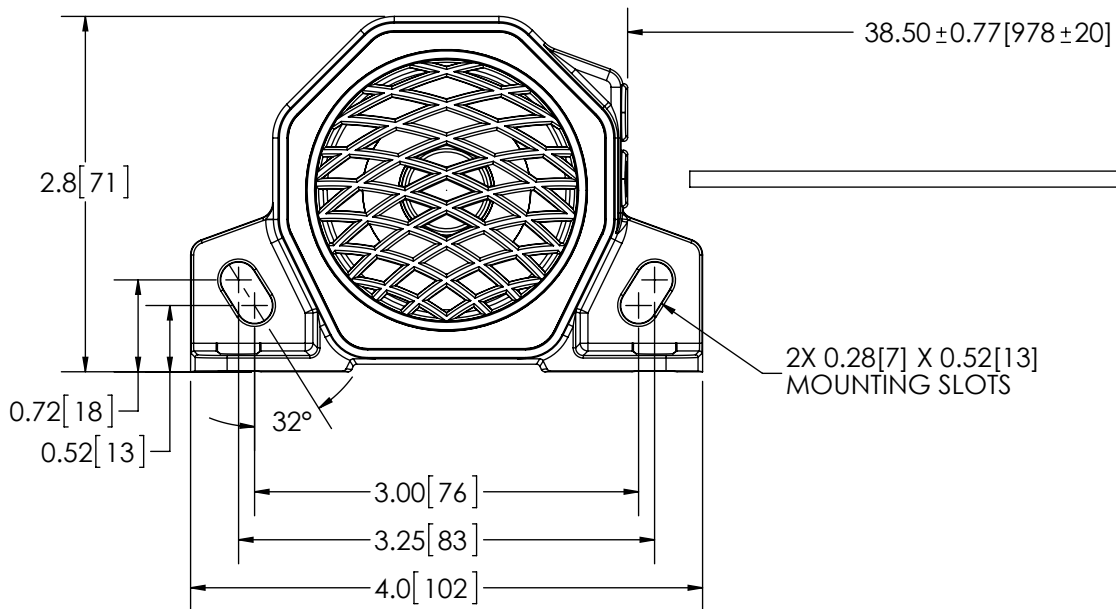


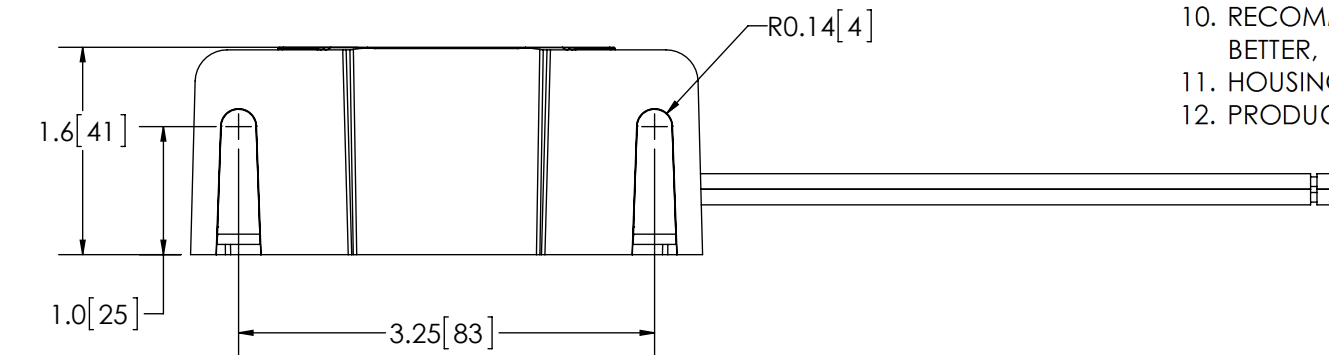
REVISION HISTORY		
REV.	DESCRIPTION	DATE
05	REVISED PER LM12231	2013-03-04
A	INITIAL RELEASE PER LM12231	2013-03-11
B	REVISE PER LM12231	2013-03-19



2-16 AWG WIRES
RED - POSITIVE (+)
BLACK - NEGATIVE (-)

SPECIFICATIONS

- CERTIFICATIONS: **CE**; ECE R10; SAE J994 (MAR 2009), TYPE F 82 dB(A);
Note: Unique components, accessories, and hardware kits are not typically included in the Product Certification Test Protocols. Unless otherwise Specified, the Product Certifications referred to herein are predicated upon the base product model configuration.
- SOUND PRESSURE LEVEL: 82 ± 4 dB (A) @ 1.2m (4ft)
- VOLTAGE (NOMINAL): 12 to 24 VDC
- VOLTAGE (EXTREME): 9.0 to 32.0 VDC
- CURRENT (PEAK): 0.33 A (@ 12 VDC NOMINAL)
- POWER (MAXIMUM): 10.5 W (@ 12 VDC NOMINAL)
- TEMPERATURE RANGE: -40°F (-40°C) TO 185°F (85°C)
- PREDOMINANT FREQUENCY: 700 to 2800 Hz
- CONNECTION: 2-16 AWG WIRES
- RECOMMENDED MOUNTING: 1/4 - 20 UNC, GRADE 5 OR BETTER, 1/4" TYPE A, SERIES N OR W WASHER
- HOUSING MATERIAL: GLASS FILLED NYLON
- PRODUCT WEIGHT: 0.78 LBS (0.35 Kg)



NOTES:
1. DIMENSION IN INCHES [MILLIMETERS (FOR REFERENCE)]

SCALE 1:1.5		APPROVALS	DATE	ECCO®
CAD GENERATED DRAWING DO NOT MANUALLY UPDATE. MODEL REFERENCED: A		DRAWN BY MDH	2013-03-14	
TOLERANCES ARE IN INCHES, AND MILLIMETERS TOLERANCES ARE:		CHECKED BND	2013-03-18	CUSTOMER PART NO. EA5820
MILLIMETERS DECIMALS XX. ± 1.0mm XX.X ± 0.5mm	INCHES DECIMALS X.X ± 0.1 X.XX ± 0.04 X.XXX ± 0.02	MECH. ENG. JLA	2013-03-14	PRODUCT SERIES: 500
		ELEC. ENG. JES	2013-03-18	SIZE: A
		TEST ENG. JRT	2013-03-15	DWG. NO. EA5820
		SALES. DEH	2013-03-19	REV. B
THIRD ANGLE PROJECTION		Electronically Controlled Use Latest Copy		Project: LM12231
		SHEET 1 OF 1		Date Created: 2012-11-02

NON DISCLOSURE AGREEMENT
THIS DRAWING AND THE DESIGN IT DISCLOSES ARE THE PRIVATE PROPERTY OF ECCO AND IS ISSUED IN CONFIDENCE FOR ENGINEERING INFORMATION ONLY. THE DRAWING AND / OR DESIGN MAY NOT BE USED, COPIED, REPRODUCED, OR OTHERWISE DISCLOSED IN PART OR AS A WHOLE TO OUTSIDERS OR USED FOR ANY OTHER PURPOSE WITHOUT THE PRIOR WRITTEN CONSENT OF ECCO. THE DRAWING IS SUBJECT TO RECALL AT ANY TIME. YOUR POSSESSION OF THIS DOCUMENT CONSTITUTES ACCEPTANCE OF THESE TERMS. © 2012 ECCO