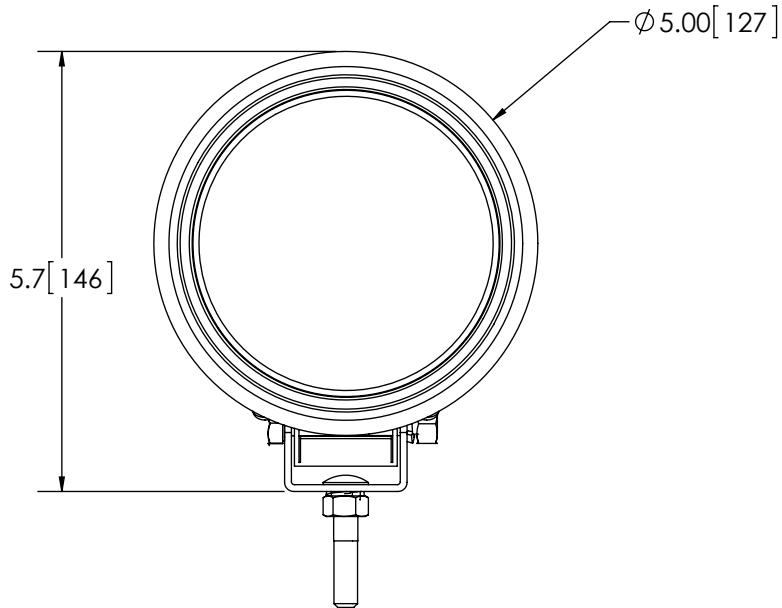
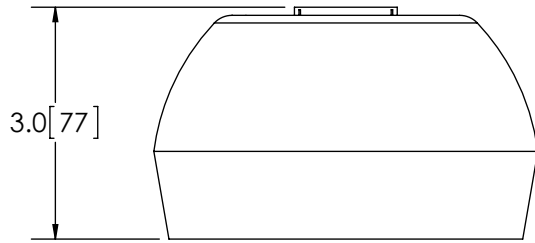


REVISION HISTORY		
REV.	DESCRIPTION	DATE
02	REVISED PER EC3410	2013-02-27
A	INITIAL RELEASE PER EC3410	2013-03-04
B	REVISE PER EC3410	2014-09-24



SPECIFICATIONS

- CERTIFICATIONS: **CE**;
Note: Unique components, accessories, and hardware kits are not typically included in the Product Certification Test Protocols. Unless otherwise Specified, the Product Certifications referred to herein are predicated upon the base product model configuration.
- RAW LUMENS: 660 lumens
- EFFECTIVE LUMENS: 600 lumens
- ILLUMINANCE: lux
- PEAK BEAM INTENSITY: Candela
- EFFICACY: 48.3 lm/W
- CORRELATED COLOR TEMPERATURE: 7202K
- VOLTAGE (NOMINAL): 12 to 24 VDC
- VOLTAGE (EXTREME): 10 to 30 VDC
- CURRENT (PEAK): 0.9A (@ 12 VDC NOMINAL)
- POWER (MAXIMUM): 12.4W (@ 12 VDC NOMINAL)
- TEMPERATURE RANGE: -22°F (-30°C) TO 122°F (50°C)
- CONNECTION: 2 CONDUCTOR CABLE
- MOUNTING: SINGLE BOLT
- HOUSING MATERIAL: RUBBER
- LENS MATERIAL: POLYCARBONATE
- PRODUCT WEIGHT: 1.26 LBS (0.57 Kg)

NOTES:
1. DIMENSIONS IN INCHES[MILLIMETERS (FOR REFERENCE)]

SCALE 1:2.5		APPROVALS	DATE	ECCO [®]
CAD GENERATED DRAWING DO NOT MANUALLY UPDATE. MODEL REFERENCED:A+		DRAWN BY MDH	2014-09-11	
TOLERANCES ARE IN INCHES, AND MILLIMETERS TOLERANCES ARE:		CHECKED SNS	2014-09-11	WORKLAMP, PAR 36,6 LED, W/HOUSING
MILLIMETERS DECIMALS XX. ± 1.0mm XX.X ± 0.5mm	INCHES DECIMALS X.X ± 0.1 X.XX ± 0.04 X.XXX ± 0.02	MECH. ENG. JLA	2014-09-11	
	ANGLES ± 0.5° FRACTIONS ± 1/64	ELEC. ENG. TJT	2014-09-11	
		TEST ENG. JRT	2014-09-15	
		SALES. JPT	2014-09-24	CUSTOMER PART NO. E92013
THIRD ANGLE PROJECTION				PRODUCT SERIES: E92013
NON DISCLOSURE AGREEMENT				SIZE: A DWG. NO. E92013
THIS DRAWING AND THE DESIGN IT DISCLOSES ARE THE PRIVATE PROPERTY OF ECCO AND IS ISSUED IN CONFIDENCE FOR ENGINEERING INFORMATION ONLY. THE DRAWING AND / OR DESIGN MAY NOT BE USED, COPIED, REPRODUCED, OR OTHERWISE DISCLOSED IN PART OR AS A WHOLE TO OUTSIDERS OR USED FOR ANY OTHER PURPOSE WITHOUT THE PRIOR WRITTEN CONSENT OF ECCO. THE DRAWING IS SUBJECT TO RECALL AT ANY TIME. YOUR POSSESSION OF THIS DOCUMENT CONSTITUTES ACCEPTANCE OF THESE TERMS. © 2013 ECCO		Electronically Controlled Use Latest Copy		REV. B
		SHEET 1 OF 1	Project: EC3410	Date Created: 2013-02-08