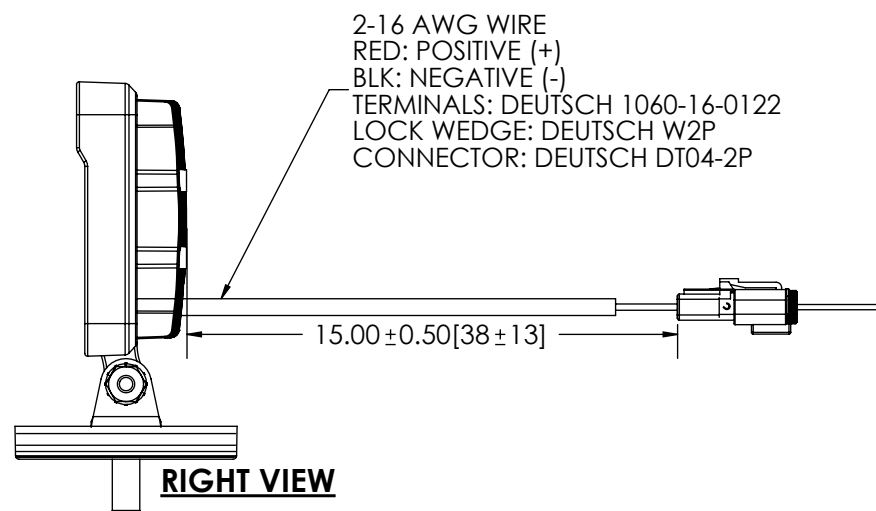
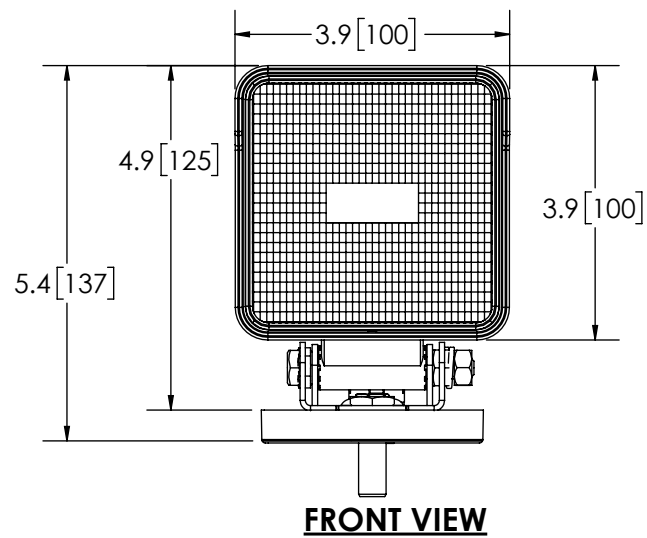
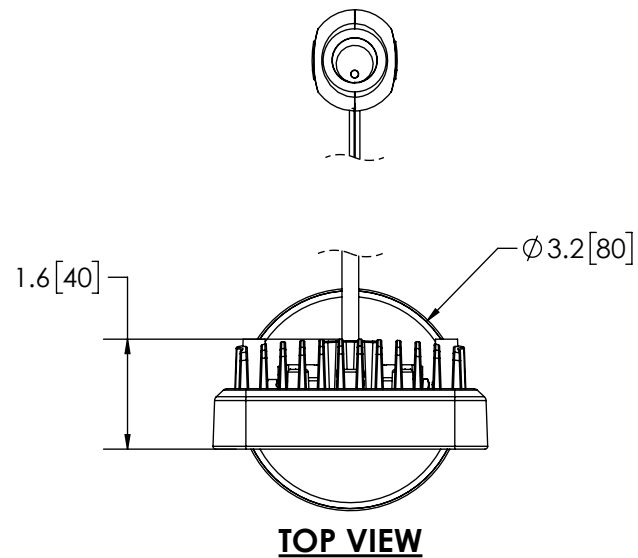


REVISION HISTORY		
REV.	DESCRIPTION	DATE
03	REVISED PER LM14207	2014-05-09
A	INITIAL RELEASE PER LM14207	2014-05-14
B	REVISE PER LM14207	2016-11-11



2-16 AWG WIRE
 RED: POSITIVE (+)
 BLK: NEGATIVE (-)
 TERMINALS: DEUTSCH 1060-16-0122
 LOCK WEDGE: DEUTSCH W2P
 CONNECTOR: DEUTSCH DT04-2P

15' LIGHT ADAPTER W/ SWITCH
 TERMINALS: DEUTSCH 1062-16-0122
 LOCK WEDGE: DEUTSCH W2S
 CONNECTOR: DEUTSCH DT04-2S

SPECIFICATIONS

- CERTIFICATIONS: **CE**;
 Note: Unique components, accessories, and hardware kits are not typically included in the Product Certification Test Protocols. Unless otherwise Specified, the Product Certifications referred to herein are predicated upon the base product model configuration.
- RAW LUMENS: 750 lumens
- EFFECTIVE LUMENS: 700 lumens
- ILLUMINANCE: lux
- PEAK BEAM INTENSITY: 1020 Candela
- EFFICACY: 46.7 lm/W
- CORRELATED COLOR TEMPERATURE: 5904K
- VOLTAGE (NOMINAL): 12 to 24 VDC
- VOLTAGE (EXTREME): 9.0 to 32.0 VDC
- CURRENT (PEAK): 1.1A (@ 12 VDC NOMINAL)
- POWER (MAXIMUM): 15.W (@ 12 VDC NOMINAL)
- TEMPERATURE RANGE: -22°F (-30°C) TO 122°F (50°C)
- CONNECTION: 2-16 AWG WIRES W/LIGHTER ADAPTER
- MOUNTING: SINGLE BOLT
- HOUSING MATERIAL: ALUMINUM
- LENS MATERIAL: ACRYLIC
- PRODUCT WEIGHT: 1.5 LBS (0.68 Kg)

DISCLAIMER

DIMENSIONS, ILLUSTRATIONS, SPECIFICATIONS AND CERTIFICATIONS CONTAINED IN THIS DOCUMENT ARE TYPICAL OF THE ACTUAL PRODUCT AND ARE SUBJECT TO CHANGE. ECCO ENGINEERING DOES NOT MAINTAIN FORMAL DESIGN CONTROL OF THIS PRODUCT.

- NOTES:
 1. ROHS COMPLIANT
 2. DIMENSIONS IN INCHES[MILLIMETERS (FOR REFERENCE)]

NON DISCLOSURE AGREEMENT
 THIS DRAWING AND THE DESIGN IT DISCLOSES ARE THE PRIVATE PROPERTY OF ESG AND IS ISSUED IN CONFIDENCE FOR ENGINEERING INFORMATION ONLY. THE DRAWING AND / OR DESIGN MAY NOT BE USED, COPIED, REPRODUCED, OR OTHERWISE DISCLOSED IN PART OR AS A WHOLE TO OUTSIDERS OR USED FOR ANY OTHER PURPOSE WITHOUT THE PRIOR WRITTEN CONSENT OF ESG. THE DRAWING IS SUBJECT TO RECALL AT ANY TIME. YOUR POSSESSION OF THIS DOCUMENT CONSTITUTES ACCEPTANCE OF THESE TERMS. © 2014 ECCO

SCALE 1:2.75		APPROVALS	DATE												
CAD GENERATED DRAWING DO NOT MANUALLY UPDATE. MODEL REFERENCED:A+		DRAWN BY: ABB	2016-09-30												
TOLERANCES ARE IN INCHES, AND MILLIMETERS TOLERANCES UNLESS OTHERWISE STATED ARE:		CHECKED: MDH	2016-11-10												
<table border="1"> <tr> <th>MILLIMETERS DECIMALS</th> <th>INCHES DECIMALS</th> <th>ANGLES</th> </tr> <tr> <td>XX ± 1.0mm</td> <td>X.X ± 0.1</td> <td>± 0.5°</td> </tr> <tr> <td>XX.X ± 0.5mm</td> <td>X.XX ± 0.04</td> <td>FRACTIONS</td> </tr> <tr> <td></td> <td>X.XXX ± 0.02</td> <td>± 1/64</td> </tr> </table>		MILLIMETERS DECIMALS	INCHES DECIMALS		ANGLES	XX ± 1.0mm	X.X ± 0.1	± 0.5°	XX.X ± 0.5mm	X.XX ± 0.04	FRACTIONS		X.XXX ± 0.02	± 1/64	MECH. ENG. JLA
MILLIMETERS DECIMALS	INCHES DECIMALS	ANGLES													
XX ± 1.0mm	X.X ± 0.1	± 0.5°													
XX.X ± 0.5mm	X.XX ± 0.04	FRACTIONS													
	X.XXX ± 0.02	± 1/64													
		ELEC. ENG. TJT	2016-10-04												
		TEST ENG. JRT	2016-10-11												
		SALES. LAT	2016-11-11												
THIRD ANGLE PROJECTION 				WORK LAMP, 5 LED, SQUARE, FLOOD, 12-24V, MG CUSTOMER PART NO. E92007-MG PRODUCT SERIES: E92007											
SIZE: B SHEET 1 OF 1		DWG. NO. E92007-MG Project: LM14207 Date Created: 2014-04-28		REV. B											
Electronically Controlled Use Latest Copy															