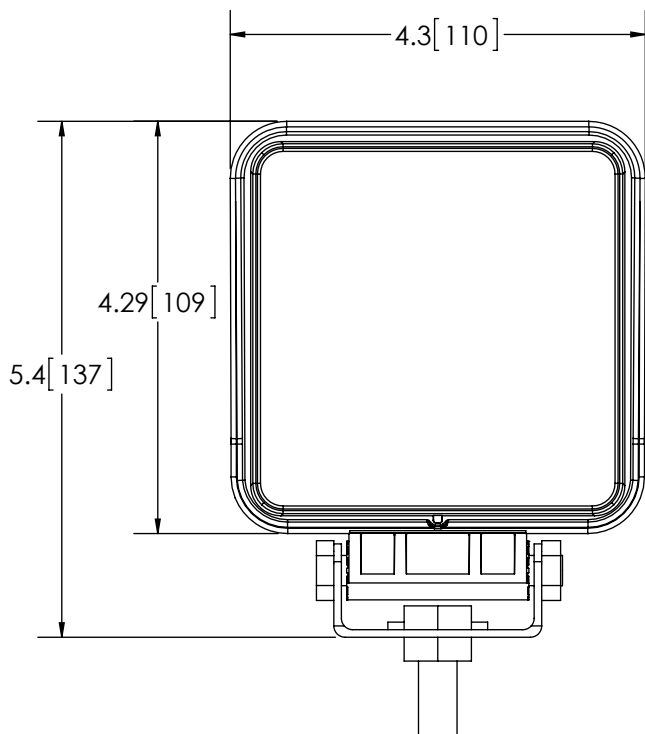
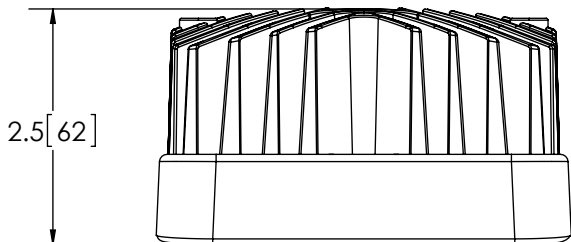


REVISION HISTORY		
REV.	DESCRIPTION	DATE
01	PRELIMINARY RELEASE PER EC3410	2013-02-08
02	REVISED PER EC3410	2013-02-27
A	INITIAL RELEASE PER EC3410	2013-03-04



## SPECIFICATIONS

- CERTIFICATIONS: **CE**;  
 Note: Unique components, accessories, and hardware kits are not typically included in the Product Certification Test Protocols. Unless otherwise Specified, the Product Certifications referred to herein are predicated upon the base product model configuration.
- LUMINOUS FLUX: 1400 lumens
- ILLUMINANCE: lux
- PEAK BEAM INTENSITY: Candela
- EFFICACY: 63.7 lm/W
- CORRELATED COLOR TEMPERATURE: 6871K
- VOLTAGE (NOMINAL): 12 to 24 VDC
- VOLTAGE (EXTREME): 9.0 to 32.0 VDC
- CURRENT (PEAK): 1.55A (@ 12 VDC NOMINAL)
- POWER (MAXIMUM): 21.4W (@ 12 VDC NOMINAL)
- TEMPERATURE RANGE: -22°F (-30°C) TO 122°F (50°C)
- CONNECTION: 2 CONDUCTOR CABLE
- MOUNTING: SINGLE BOLT
- HOUSING MATERIAL: ALUMINUM
- LENS MATERIAL: ACRYLIC
- PRODUCT WEIGHT: 1.4 LBS (0.63 Kg)

NOTES:  
 1. DIMENSIONS IN INCHES[MILLIMETERS (FOR REFERENCE)]

SCALE 1:2		APPROVALS		DATE		<b>ECCO</b> <sup>®</sup>	
CAD GENERATED DRAWING DO NOT MANUALLY UPDATE. MODEL REFERENCED:01		DRAWN BY MDH		2013-02-27			
TOLERANCES ARE IN INCHES, AND MILLIMETERS TOLERANCES ARE:		CHECKED BND		2013-02-28		<b>WORK LAMP, 9 LED, SQUARE, FLOOD, 10-30V</b>	
MILLIMETERS DECIMALS		MECH. ENG. JLA		2013-02-27			
X.X ± 0.1		ELEC. ENG. SPO		2013-03-04		CUSTOMER PART NO.	
X.XX ± 0.04		TEST ENG. JRT		2013-03-01		E92006	
X.XXX ± 0.02		SALES. WNH		2013-03-01		PRODUCT SERIES: E92006	
FRACTIONS ± 1/64						SIZE: A	
THIRD ANGLE PROJECTION						DWG. NO. E92006	
						REV. A	
NON DISCLOSURE AGREEMENT		Electronically Controlled Use Latest Copy		SHEET 1 OF 1		Project: EC3410	
THIS DRAWING AND THE DESIGN IT DISCLOSES ARE THE PRIVATE PROPERTY OF ECCO AND IS ISSUED IN CONFIDENCE FOR ENGINEERING INFORMATION ONLY. THE DRAWING AND / OR DESIGN MAY NOT BE USED, COPIED, REPRODUCED, OR OTHERWISE DISCLOSED IN PART OR AS A WHOLE TO OUTSIDERS OR USED FOR ANY OTHER PURPOSE WITHOUT THE PRIOR WRITTEN CONSENT OF ECCO. THE DRAWING IS SUBJECT TO RECALL AT ANY TIME. YOUR POSSESSION OF THIS DOCUMENT CONSTITUTES ACCEPTANCE OF THESE TERMS. © 2013 ECCO				Date Created: 2013-02-08			