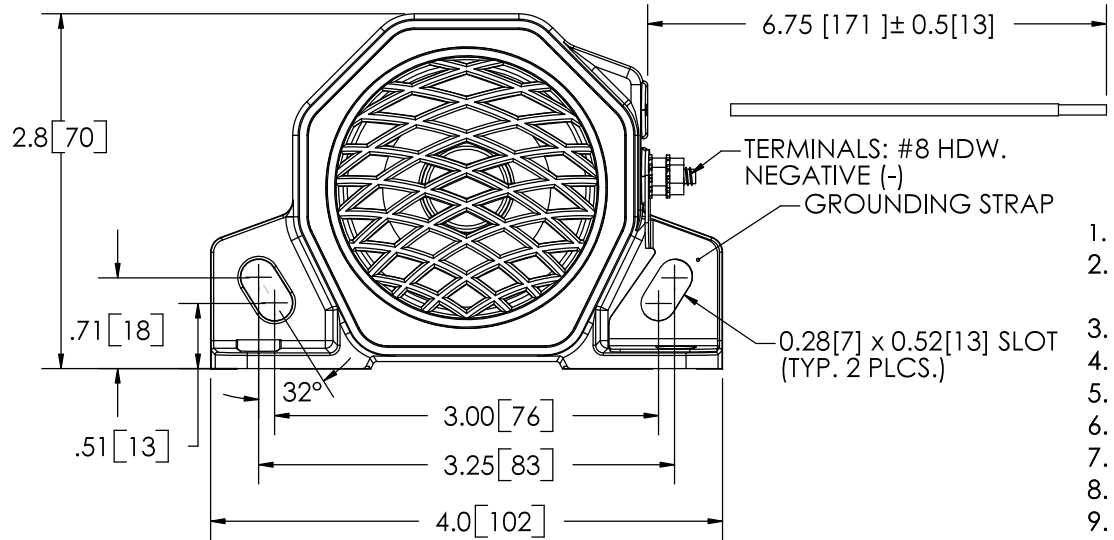


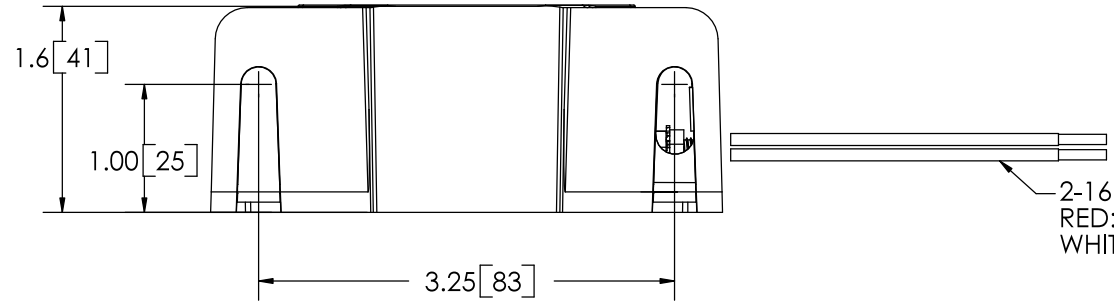
8 7 6 5 4 3 2 1

REVISION HISTORY		
REV.	DESCRIPTION	DATE
C	CHANGED FREQUENCY RANGE PER CR# 602	2000-12-21
D	CORRECTED MNT. BOLT CALLOUT PER CR# 805	2001-10-15
E	CHGD. HOUSING & REVISED PER P3# 03026 & CR# 1173	2003-09-05



SPECIFICATIONS

- CERTIFICATIONS: **CE**; e; SAE J994 (AUG 1993), TYPE F - 102 DBA
- SOUND PRESSURE LEVEL: (BU):102 ± 4 dB (A) @ 1.2m (4ft)
(DT):102 ± 4 dB (A) @ 1.2m (4ft)
- VOLTAGE (NOMINAL): 12 to 24 VDC
- VOLTAGE (EXTREME): 9.0 to 36.4 VDC
- CURRENT (NOMINAL): 0.3 A
- POWER (NOMINAL): 8 W
- TEMPERATURE RANGE: -40°F (-40°C) TO 185°F (85°C)
- FREQUENCY: 650 to 1630 Hz
- CONNECTION: 2 - 16 AWG WIRES & 8 - 32 UNI STUD
- RECOMMENDED MOUNTING: 1/4 - 20 UNC, GRADE 5 OR BETTER, 1/4" TYPE A, SERIES N OR W WASHER
- HOUSING MATERIAL: GLASS FILLED NYLON
- PRODUCT WEIGHT: 0.8 LBS



NOTES:
1. DIMENSIONS IN INCHES[MILLIMETERS]

APPROVALS		DATE
DRAWN BY	RAM	
CHECKED		
ELEC. ENG.		
MECH. ENG.		
TEST ENG.		
SALES		

ECCO

ALARM, DUAL FUNCTION, 102DBA, 12-24VDC

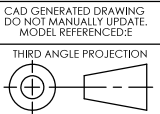
Project: _____ Date Created: 1995-08-31

SIZE	DWG. NO.	REV.
A	DF532	E

SCALE 1:1.5 PREPARED PER ASME 14.100M-1998 / ASME Y14.1-1995 SHEET 1 OF 1

NON DISCLOSURE AGREEMENT

THIS DRAWING AND THE DESIGN IT DISCLOSES ARE THE PRIVATE PROPERTY OF ECCO AND IS ISSUED IN CONFIDENCE FOR ENGINEERING INFORMATION ONLY. THE DRAWING AND / OR DESIGN MAY NOT BE USED, COPIED, REPRODUCED, OR OTHERWISE DISCLOSED IN PART OR AS A WHOLE TO OUTSIDERS OR USED FOR ANY OTHER PURPOSE WITHOUT THE PRIOR WRITTEN CONSENT OF ECCO. THE DRAWING IS SUBJECT TO RECALL AT ANY TIME. YOUR POSSESSION OF THIS DOCUMENT CONSTITUTES ACCEPTANCE OF THESE TERMS. © 2003 ECCO



8 7 6 5 4 3 2 1