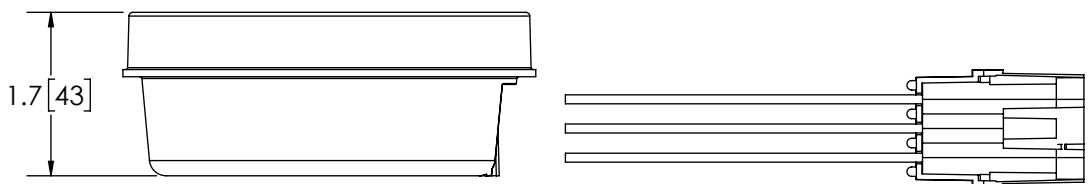
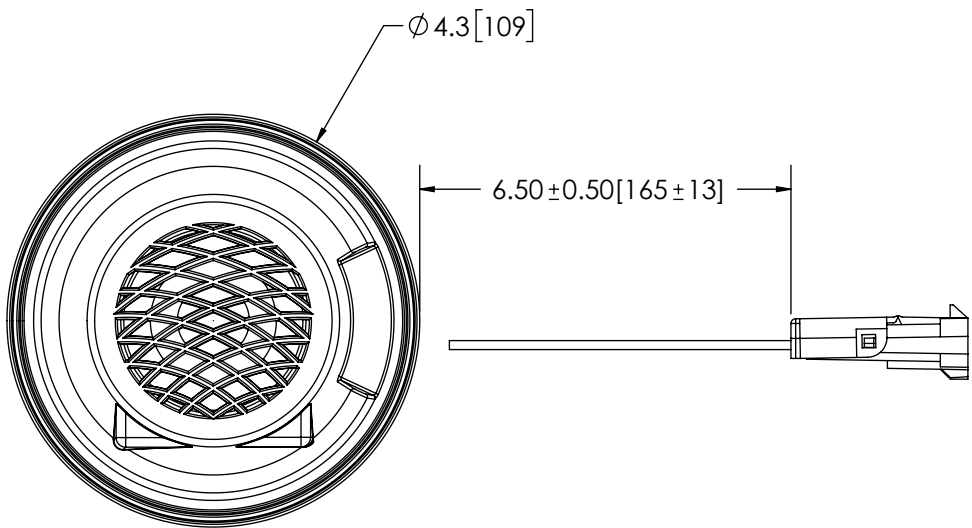


REVISION HISTORY		
REV.	DESCRIPTION	DATE
01	PRELIMINARY RELEASE PER ELO119	2017-10-18
02	REVISED PER ELO119	2018-05-14
A	INITIAL RELEASE PER ELO119	2018-05-16



SPECIFICATIONS

- CERTIFICATIONS: **CE**; ECE R10; SAE J994 (Sept 2014) TYPE F; IP55
 Note: Unique components, accessories, and hardware kits are not typically included in the Product Certification Test Protocols. Unless otherwise Specified, the Product Certifications referred to herein are predicated upon the base product model configuration.
- SOUND PRESSURE LEVEL: (BU): 102 ± 4 dB (A) @ 1.2m (4ft)
 (DT): 102 ± 4 dB (A) @ 1.2m (4ft)
- VOLTAGE (NOMINAL): 12-24 VDC
- VOLTAGE (EXTREME): 9-32 VDC
- CURRENT (PEAK): 0.5 A (@ 12 VDC NOMINAL)
- POWER (MAXIMUM): 6.7 W (@ 12 VDC NOMINAL)
- TEMPERATURE RANGE: -40°F (-40°C) TO 185°F (85°C)
- FREQUENCY: 700 to 2800 Hz
- CONNECTION: 3 - 16 AWG WIRES W/ CONNECTOR
- RECOMMENDED MOUNTING: GROMMET MOUNTING, STANDARD 4 1/2" HOLE
- HOUSING MATERIAL: GLASS FILLED NYLON
- PRODUCT WEIGHT: 0.8 LBS (0.36 Kg)

NOTES:
 1. DIMENSIONS IN INCHES [MILLIMETERS (FOR REFERENCE)]

SCALE 1:2			APPROVALS	DATE												
CAD GENERATED DRAWING DO NOT MANUALLY UPDATE. MODEL REFERENCED: 01			DRAWN BY ABD	2018-05-14												
			CHECKED MDH	2018-05-15												
TOLERANCES ARE IN INCHES, AND MILLIMETERS TOLERANCES UNLESS OTHERWISE STATED ARE:			MECH. ENG. JLA	2018-05-14												
			ELEC. ENG. JES	2018-05-15												
<table border="1"> <tr> <th>MILLIMETERS DECIMALS</th> <th>INCHES DECIMALS</th> <th>ANGLES</th> </tr> <tr> <td>XX. ± 1.0mm</td> <td>X.X ± 0.1</td> <td>± 0.5°</td> </tr> <tr> <td>XX.X ± 0.5mm</td> <td>X.XX ± 0.04</td> <td>FRACTIONS ± 1/64</td> </tr> <tr> <td></td> <td>X.XXX ± 0.02</td> <td></td> </tr> </table>			MILLIMETERS DECIMALS	INCHES DECIMALS	ANGLES	XX. ± 1.0mm	X.X ± 0.1	± 0.5°	XX.X ± 0.5mm	X.XX ± 0.04	FRACTIONS ± 1/64		X.XXX ± 0.02		TEST ENG. JRT	2018-05-16
			MILLIMETERS DECIMALS	INCHES DECIMALS	ANGLES											
XX. ± 1.0mm	X.X ± 0.1	± 0.5°														
XX.X ± 0.5mm	X.XX ± 0.04	FRACTIONS ± 1/64														
	X.XXX ± 0.02															
			SALES. JPT	2018-05-16												
THIRD ANGLE PROJECTION																



ALARM, DUAL FUNCTION, 102DBA, 12-24VDC

CUSTOMER PART NO. DF445		PRODUCT SERIES:	
SIZE: A	DWG. NO. DF445	REV. A	
SHEET 1 OF 1		Project: ELO119	Date Created: 2017-10-18

NON DISCLOSURE AGREEMENT
 THIS DRAWING AND THE DESIGN IT DISCLOSES ARE THE PRIVATE PROPERTY OF ELECTRONIC CONTROLS CO. AND IS ISSUED IN CONFIDENCE FOR ENGINEERING INFORMATION ONLY. THE DRAWING AND / OR DESIGN MAY NOT BE USED, COPIED, REPRODUCED, OR OTHERWISE DISCLOSED IN PART OR AS A WHOLE TO OUTSIDERS OR USED FOR ANY OTHER PURPOSE WITHOUT THE PRIOR WRITTEN CONSENT OF ELECTRONIC CONTROLS CO. THE DRAWING IS SUBJECT TO RECALL AT ANY TIME. YOUR POSSESSION OF THIS DOCUMENT CONSTITUTES ACCEPTANCE OF THESE TERMS. © 2017 ELECTRONIC CONTROLS CO.