



BACK-UP ALARMS



DF445

Dual-Function Grommet Mount

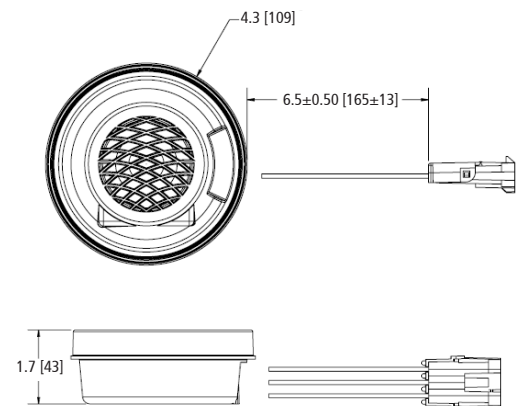
The DF445 dual-function alarm utilizes a standard 4.5" rear-lighting grommet for mounting directly into the vehicle body. Vehicle down time is reduced since the alarm can be fitted or replaced quickly and easily without the use of tools; there are no holes to drill and no bolts to tighten. Not only is the 'in-body' mounting method easier to install, it also ensures the warning signal is projected where it is needed, directly into the hazard zone at the rear of the vehicle.

Models

PART NO.	TYPE	VOLTAGE	dB(A)	AMPS
DF445	Dual-Function	12-24	102	0.5

Features and Benefits

- Grommet mount reduces installation time, requiring no tools
- PL3 Delphi trailer connector included
- Directs warning to rear of vehicle
- For use with standard 4.5" rear lighting grommet (order separately)
- Temperature Range: -40°F to +185°F (-40°C to +85°C)



Alarm Specifications

Connection: (3)16 AWG wires with connector
 Housing: Fiberglass reinforced nylon
 Mounting: 4.5" standard rear lighting grommet

Parts & Accessories

- Mounting Grommet: R2140GR

