



# BACK-UP ALARMS

## WARNING ALARMS

### Surface Mount



SAE TYPE L  
FH575 only

CE  
UL  
R10  
IP64  
IP65  
CT530-2LDW  
DT500FP-LWC  
FH575  
FH577  
only

DF532  
DT500FP-LWC  
CT530-2LDW  
only

DT500 only

ECCO's range of warning alarms offer a wide variety of warning sounds, including, constant tone, forward horn, dual tone and dual function.

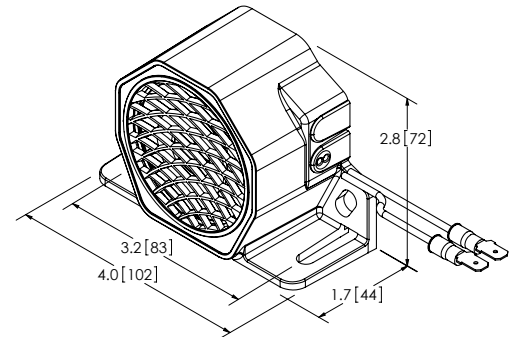
### Models

PART NO.	VOLTAGE	dB(A)	AMPS	TYPE
CT530-2LDW	12-24	102	0.5	Constant Tone
FH575	12	107	0.5	Forward Horn
FH577	24-48	107	1.2	Forward Horn
DT500	12-24	97	0.5	Dual Tone
DT500FP-LWC	12-24	102	0.9	Dual Tone
DF532	12-24	102	0.3	Dual Function
DS232	12	97	0.2	Dual Sound

### Design Features

- Sealed in epoxy for protection against dust, moisture and vibration
- Offers a wide variety of warning sounds
- Temperature range: -40°F to +185°F (-40°C to +85°C)

### CT530-2LDW/FH575/FH577/DT500/DT500FP-LWC/DF532



### DS232

