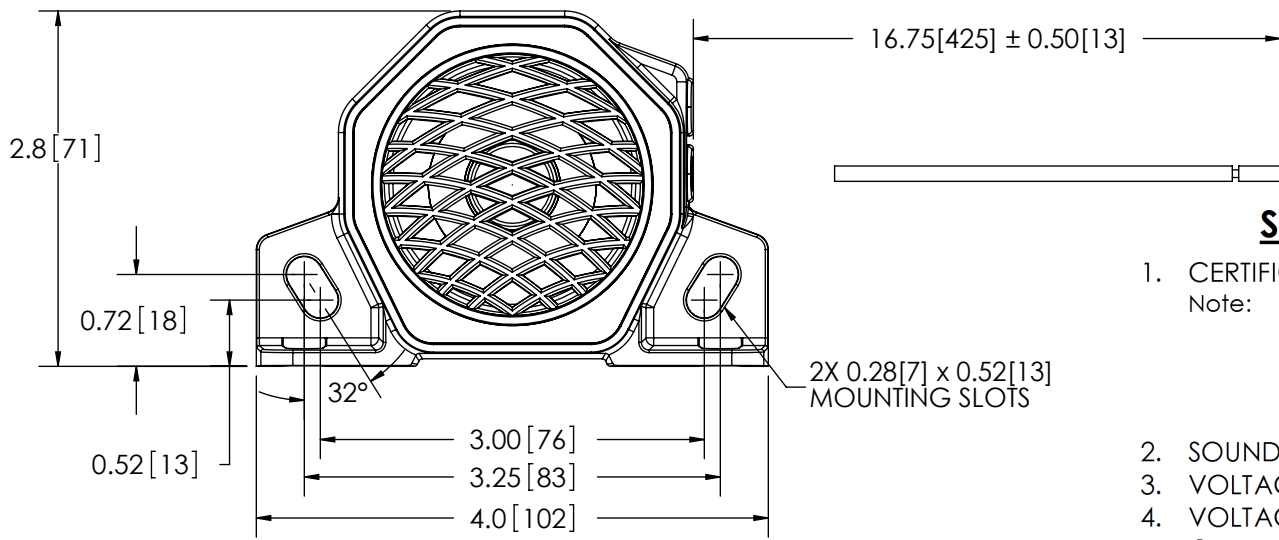
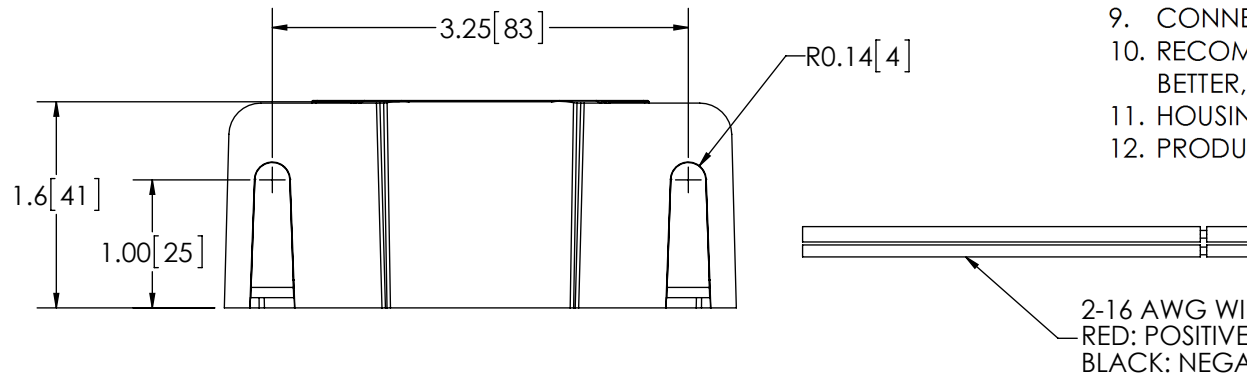


REVISION HISTORY		
REV.	DESCRIPTION	DATE
B	RESTORED ELECTRONIC FILE PER CR# 1138	2003-04-29
C	CHANGED HOUSING PER P3# 03026	2003-09-04
D	REVISE PER EC3452	2013-05-20



SPECIFICATIONS

- CERTIFICATIONS: **CE**; **UL**; e;
 Note: Unique components, accessories, and hardware kits are not typically Included in the Product Certification Test Protocols. Unless otherwise Specified, the Product Certifications referred to herein are predicated upon the base product model configuration.
- SOUND PRESSURE LEVEL: 102 ± 4 dB (A) @ 1.2m (4ft)
- VOLTAGE (NOMINAL): 12 to 24 VDC
- VOLTAGE (EXTREME): 9.8 to 36.4 VDC
- CURRENT (PEAK): 0.5 A (@ 12 VDC NOMINAL)
- POWER (MAXIMUM): 13 W (@ 12 VDC NOMINAL)
- TEMPERATURE RANGE: -40°F (-40°C) TO 165°F (74°C)
- FREQUENCY: 1000 to 1500 Hz
- CONNECTION: 2-16 AWG WIRES
- RECOMMENDED MOUNTING: 1/4 - 20 UNC, GRADE 5 OR BETTER, 1/4" TYPE A, SERIES N OR W WASHER
- HOUSING MATERIAL: GLASS FILLED NYLON
- PRODUCT WEIGHT: 0.7 LBS (0.32 Kg)



NOTES:
 1. DIMENSIONS IN INCHES [MILLIMETERS (FOR REFERENCE)]

SCALE 1:1.5		APPROVALS	DATE
CAD GENERATED DRAWING DO NOT MANUALLY UPDATE. MODEL REFERENCED: C		DRAWN BY MDH	2013-03-18
TOLERANCES ARE IN INCHES, AND MILLIMETERS TOLERANCES ARE:		CHECKED BND	2013-03-19
MILLIMETERS DECIMALS XX ± 1.0mm XX.X ± 0.5mm	INCHES DECIMALS X.X ± 0.1 X.XX ± 0.04 X.XXX ± 0.02	MECH. ENG. JLA	2013-03-18
	ANGLES ± 0.5° FRACTIONS ± 1/64	ELEC. ENG. JES	2013-03-18
		TEST ENG. JRT	2013-03-20
		SALES. DEH	2013-03-19
THIRD ANGLE PROJECTION			

ECCO®

ALARM, CT, 102DBA, 12-24VDC, 18" LEADWIRE

CUSTOMER PART NO. **CT530-2LDW** PRODUCT SERIES: **WARNING**

SIZE: **A** DWG. NO. **CT530-2LDW** REV. **D**

Electronically Controlled Use Latest Copy SHEET 1 OF 1 Project: Date Created: 1994-12-15

THIS DRAWING AND THE DESIGN IT DISCLOSES ARE THE PRIVATE PROPERTY OF ECCO AND IS ISSUED IN CONFIDENCE FOR ENGINEERING INFORMATION ONLY. THE DRAWING AND / OR DESIGN MAY NOT BE USED, COPIED, REPRODUCED, OR OTHERWISE DISCLOSED IN PART OR AS A WHOLE TO OUTSIDERS OR USED FOR ANY OTHER PURPOSE WITHOUT THE PRIOR WRITTEN CONSENT OF ECCO. THE DRAWING IS SUBJECT TO RECALL AT ANY TIME. YOUR POSSESSION OF THIS DOCUMENT CONSTITUTES ACCEPTANCE OF THESE TERMS. © 2002 ECCO